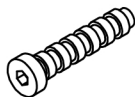








| | |
|---|----|
| 1 | 1x |
| 2 | 2x |
| 3 | 1x |

| | | | |
|---|---|---|---|
| <p>A M8X35mm</p>  <p>8x</p> | <p>B Ø8X18mm</p>  <p>8x</p> | <p>C M8X20mm</p>  <p>2x</p> | <p>D</p>  <p>2x</p> |
| <p>E</p>  <p>4x</p> | <p>F M5</p>  <p>1x</p> | <p>G M3</p>  <p>1x</p> | |

1

A M8X35mm 8x

B Ø8X18mm 8x

F M5 1x

75%

2

C M8X20mm 2x

D Ø8X18mm 2x

F M5 1x

75%

3

E M8X35mm 4x

G M3 1x

75%

4

G M3 1x

100%

