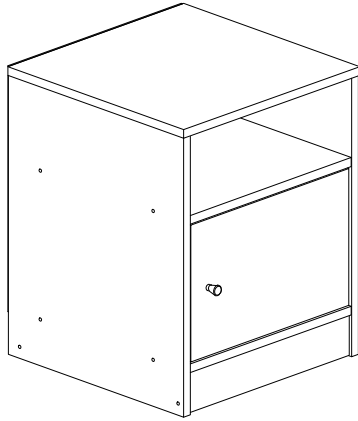


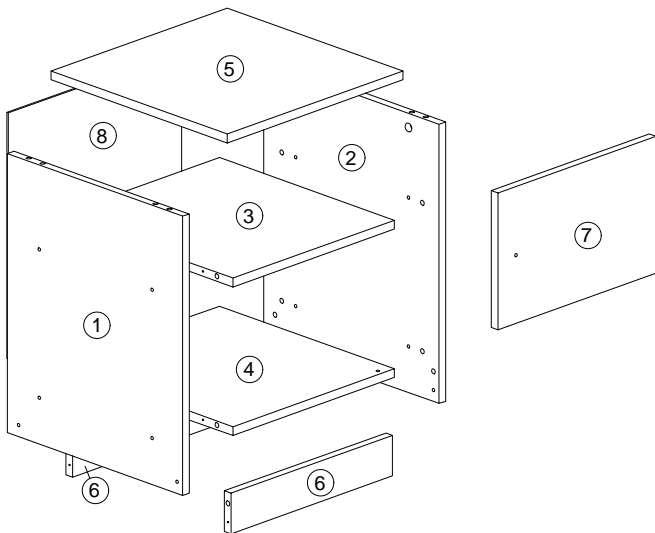
# Assembly Instruction

049-000069



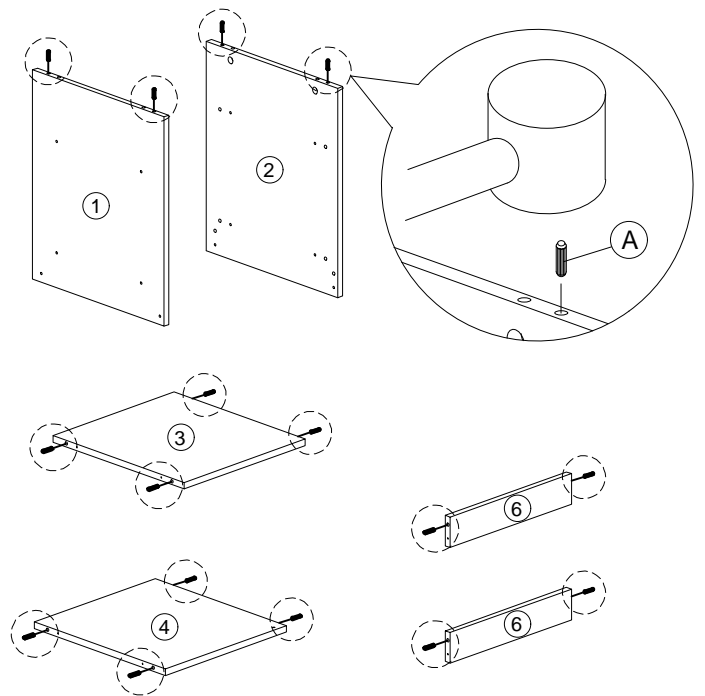
Hardware List			
No.	SHAPE	DESCRIPTION	Qty.
A		8x25mm Dowel (Wood)	16Pcs
B		15MM Myfix Minifix	4Sets
C		M3.5x16mm Screw	7Pcs
D		M4x45mm Screw	12Pcs
E		MT Stopper	2Pcs
F		2 Pin Magnet	1Set
G		Handle SVK 48 Kond	1Pc
H		M4x28mm Screw	1Pc
I		5/8 Nail With Pin	4Pcs
J		6/8 Power Pin	20Pcs
K		Sticker	12Pcs

## Part List



## Step 1

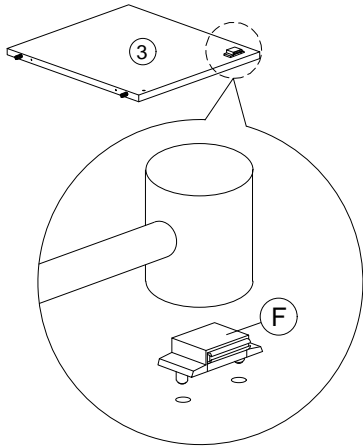
A		8x25mm Dowel (Wood)	16Pcs
---	--	---------------------	-------



# Assembly Instruction

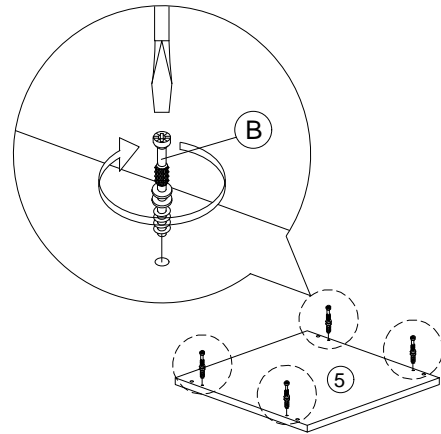
## Step 2

F		2 Pin Magnet	1Pc
---	---	--------------	-----





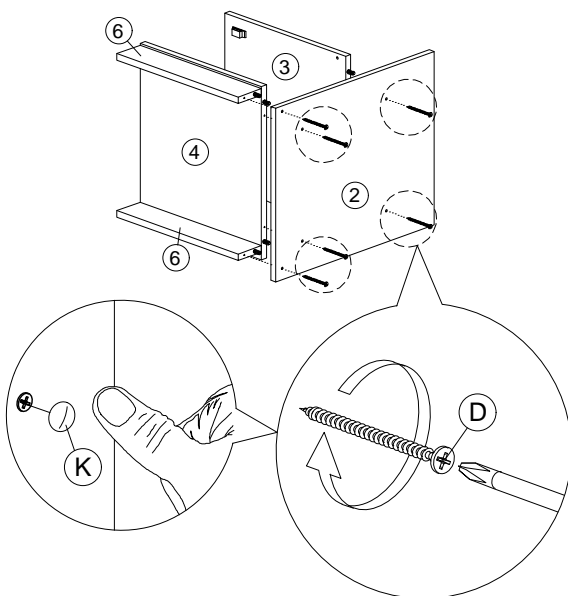
## Step 3

B		Myfix	4Pcs
---	---	-------	------





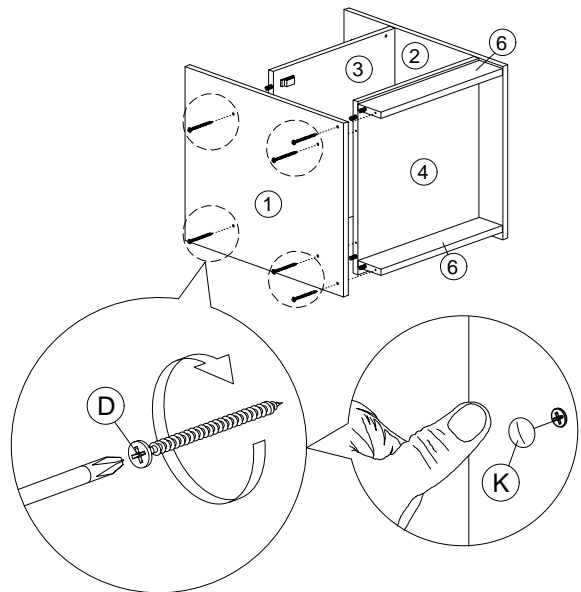
## Step 4

D		M4x45mm Screw	6Pcs
K		Sticker	6Pcs



## Step 5

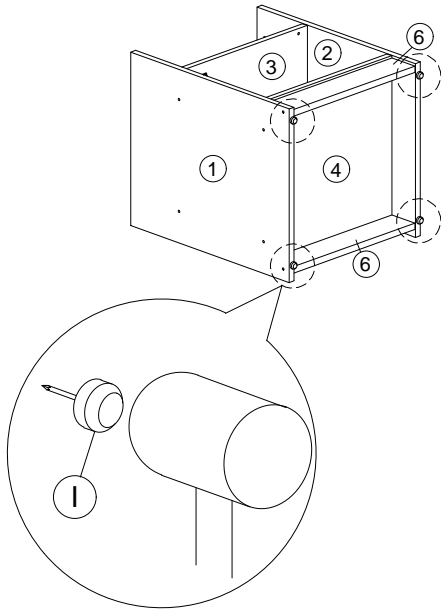
D		M4x45mm Screw	6Pcs
K		Sticker	6Pcs



# Assembly Instruction

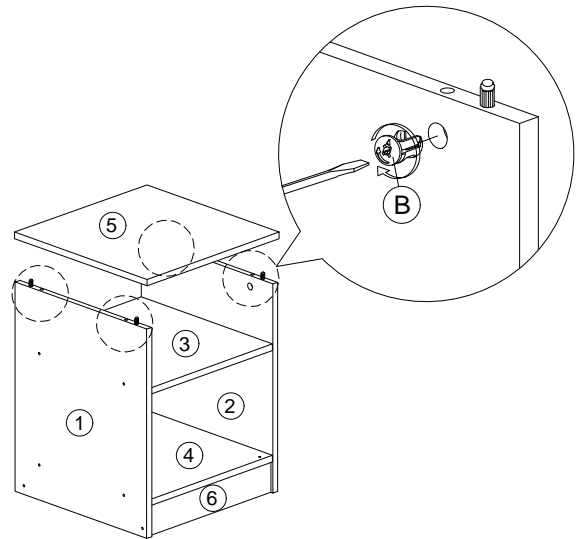
## Step 6

I		5/8 Nail With Pin	4Pcs
---	---	-------------------	------



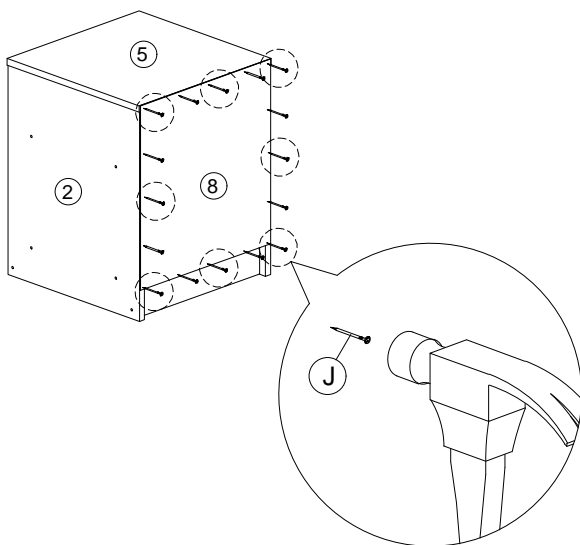
## Step 7

B		Minifix	4Pcs
---	---	---------	------



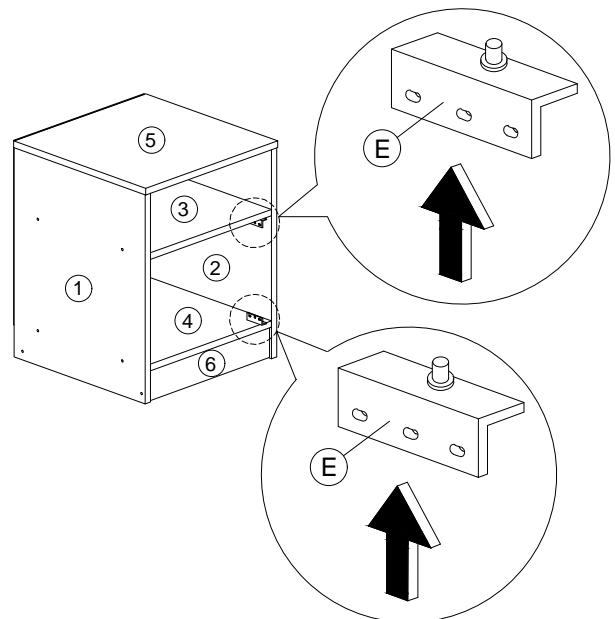
## Step 8

J		6/8 Power Pin	20Pcs
---	---	---------------	-------




## Step 9

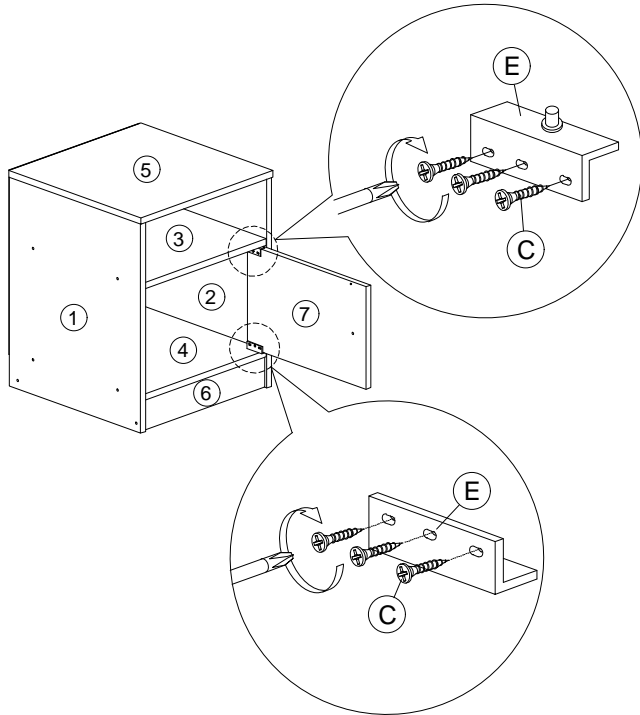
E		MT Stopper	2Pcs
---	---	------------	------



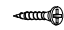

# Assembly Instruction

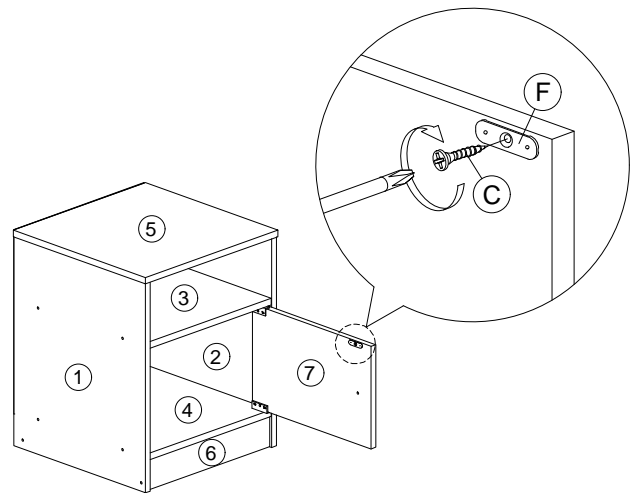
## Step 10

C		M3.5x16mm Screw	6Pcs
---	---	-----------------	------





## Step 11

C		M3.5x16mm Screw	1Pc
F		2 Pin Magnet	1Pc



## Step 12

G		Handle SVK 48 Knod	1Pc
H		M4x28mm Screw	1Pc

