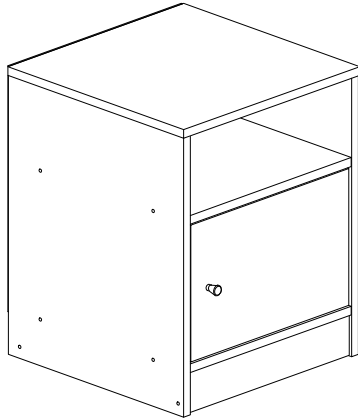


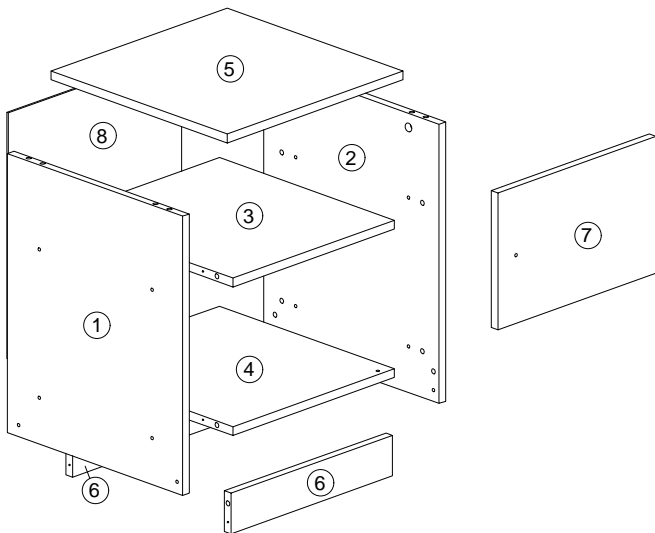
Assembly Instruction

049-000071



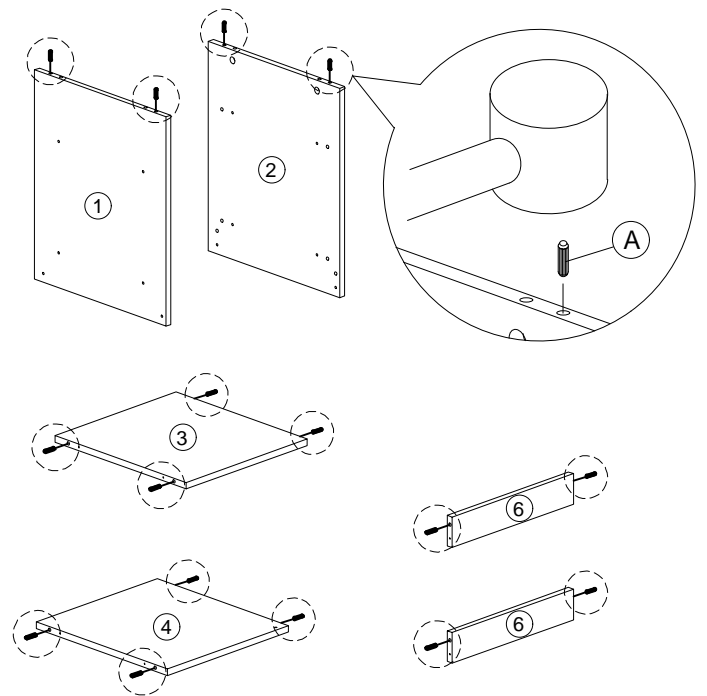
Hardware List			
No.	SHAPE	DESCRIPTION	Qty.
A		8x25mm Dowel (Wood)	16Pcs
B		15MM Myfix Minifix	4Sets
C		M3.5x16mm Screw	7Pcs
D		M4x45mm Screw	12Pcs
E		MT Stopper	2Pcs
F		2 Pin Magnet	1Set
G		Handle SVK 48 Kond	1Pc
H		M4x28mm Screw	1Pc
I		5/8 Nail With Pin	4Pcs
J		6/8 Power Pin	20Pcs
K		Sticker	12Pcs

Part List




Step 1

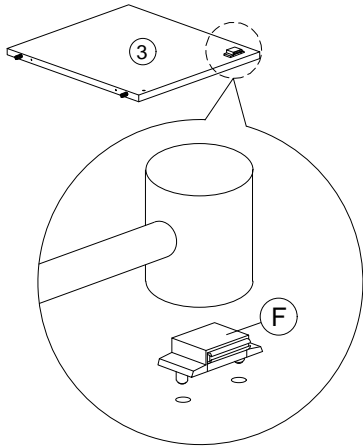
A		8x25mm Dowel (Wood)	16Pcs
---	--	---------------------	-------



Assembly Instruction

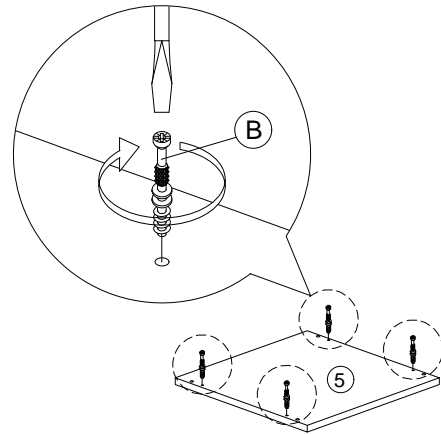
Step 2

F		2 Pin Magnet	1Pc
---	---	--------------	-----





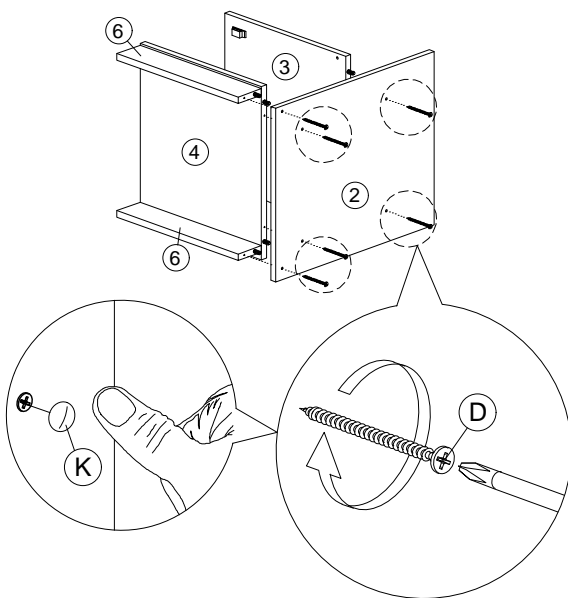
Step 3

B		Myfix	4Pcs
---	---	-------	------





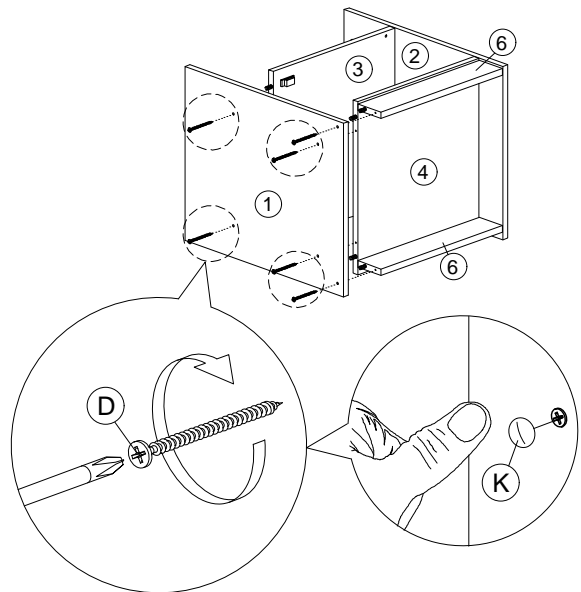
Step 4

D		M4x45mm Screw	6Pcs
K		Sticker	6Pcs



Step 5

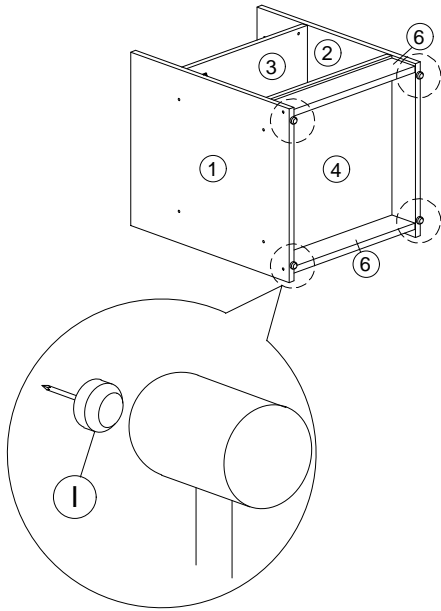
D		M4x45mm Screw	6Pcs
K		Sticker	6Pcs



Assembly Instruction

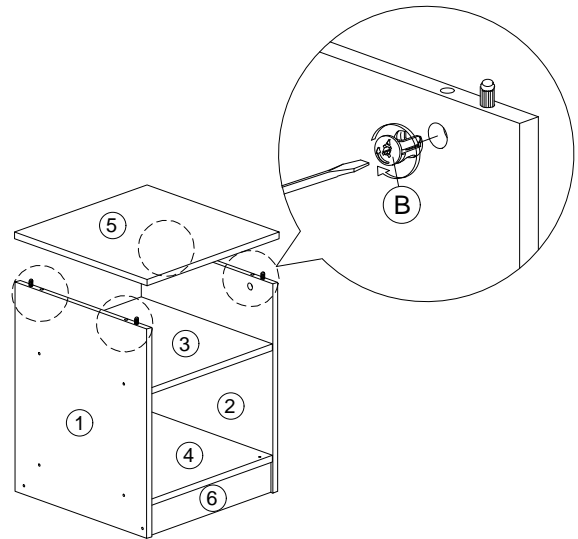
Step 6

I		5/8 Nail With Pin	4Pcs
---	---	-------------------	------



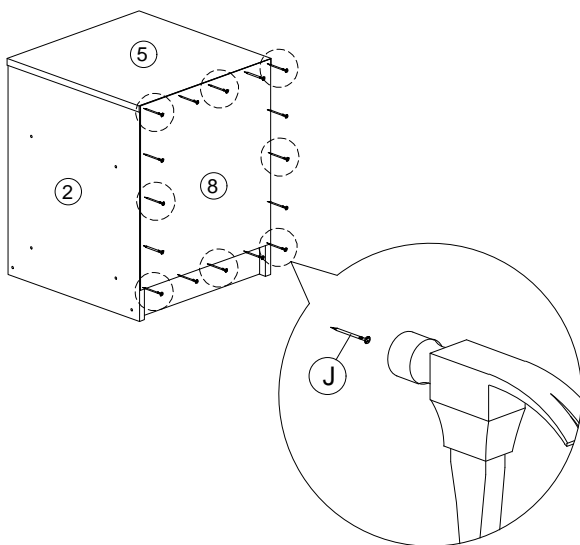
Step 7

B		Minifix	4Pcs
---	---	---------	------



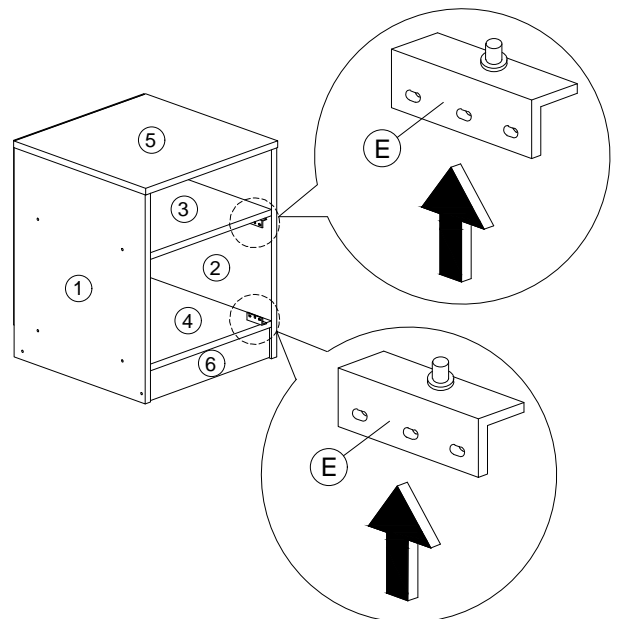
Step 8

J		6/8 Power Pin	20Pcs
---	---	---------------	-------




Step 9

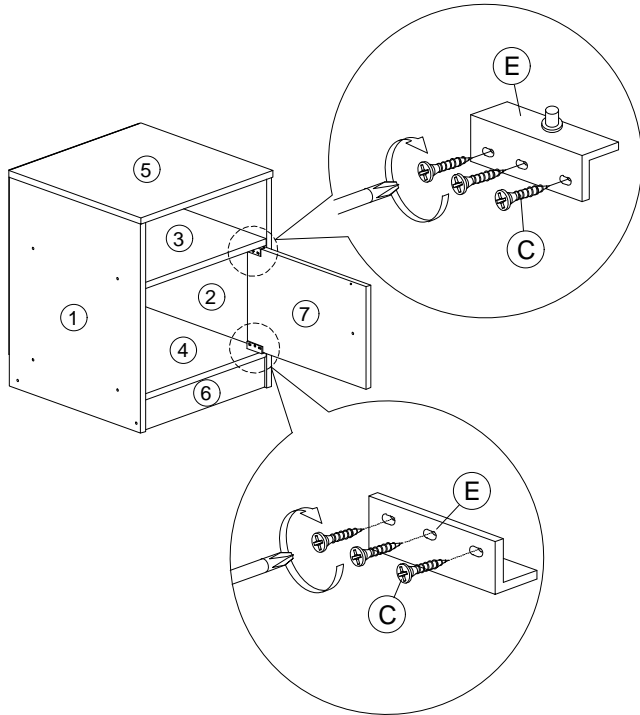
E		MT Stopper	2Pcs
---	---	------------	------



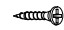

Assembly Instruction

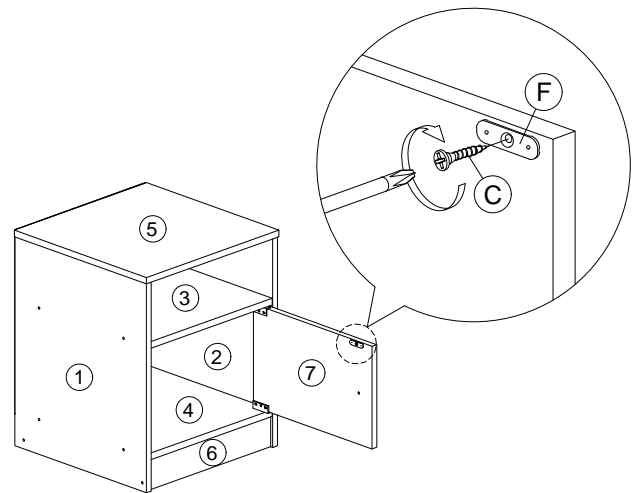
Step 10

C		M3.5x16mm Screw	6Pcs
---	---	-----------------	------





Step 11

C		M3.5x16mm Screw	1Pc
F		2 Pin Magnet	1Pc



Step 12

G		Handle SVK 48 Knod	1Pc
H		M4x28mm Screw	1Pc

