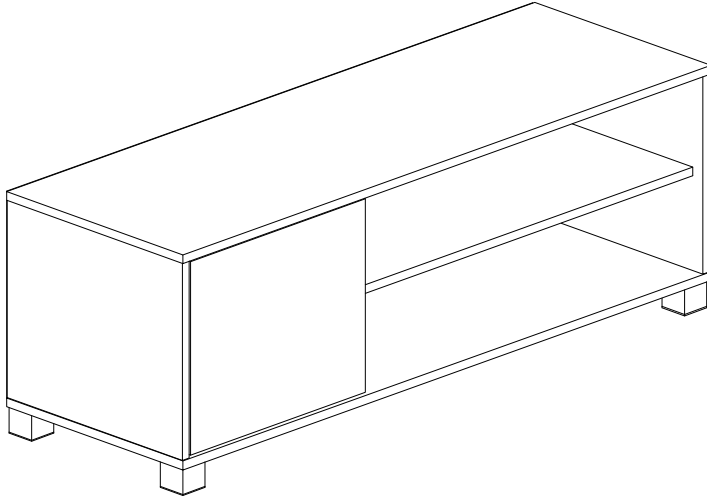
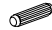



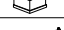





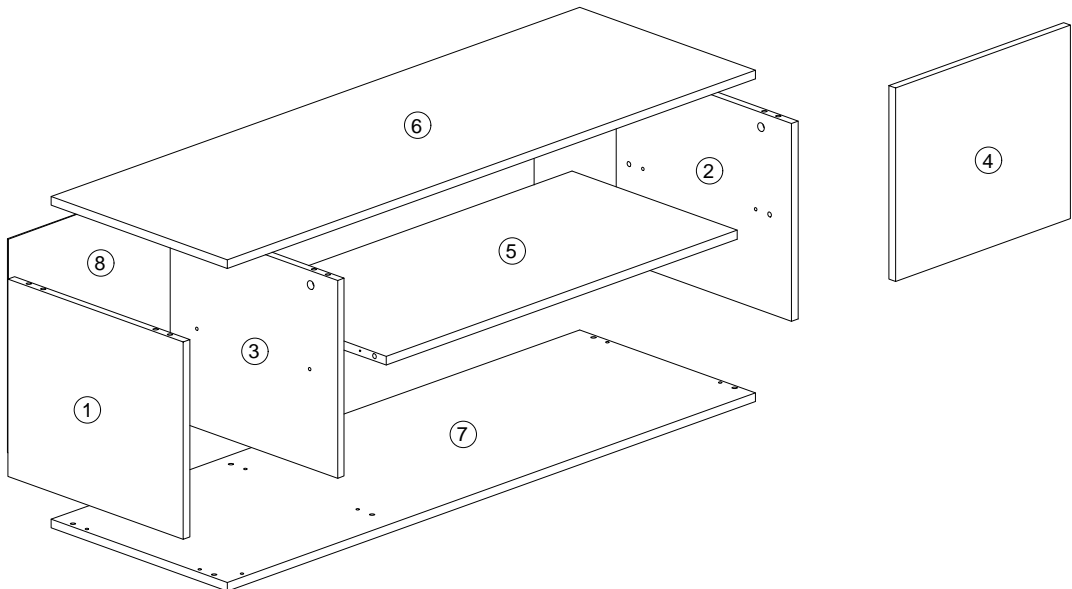
# Assembly Instruction

049-000080



| Hardware List |   |                     |       |
|---------------|---|---------------------|-------|
| No.           | SHAPE   | DESCRIPTION         | Qty.  |
| A             |  | 8x25mm Dowel (Wood) | 16Pcs |
| B             |  | 15MM Myfix Minifix  | 6Sets |
| C             |  | M3.5x16mm Screw     | 27Pcs |
| D             |  | M4x45mm Screw       | 10Pcs |
| E             |  | MT Stopper          | 2Pcs  |
| F             |  | 2 Pin Magnet        | 1Set  |
| G             |  | Square Leg 39mm     | 5Pcs  |
| H             |  | 6/8 Power Pin       | 30Pcs |
| I             |  | Sticker             | 2Pcs  |

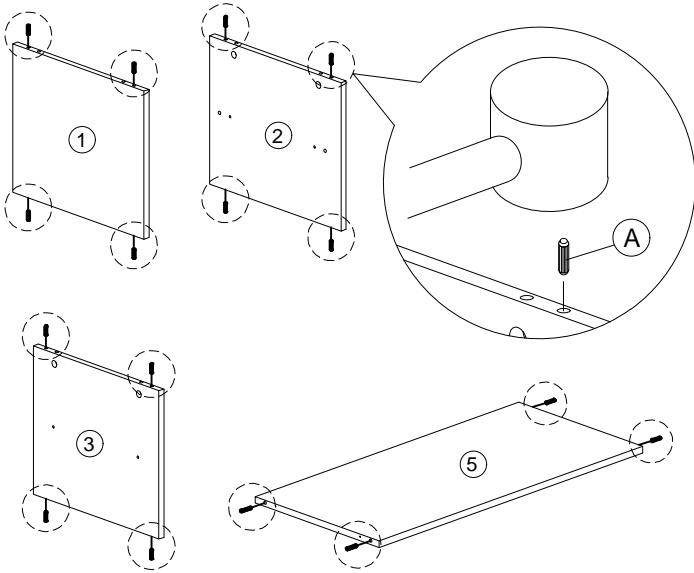
## Part List



# Assembly Instruction

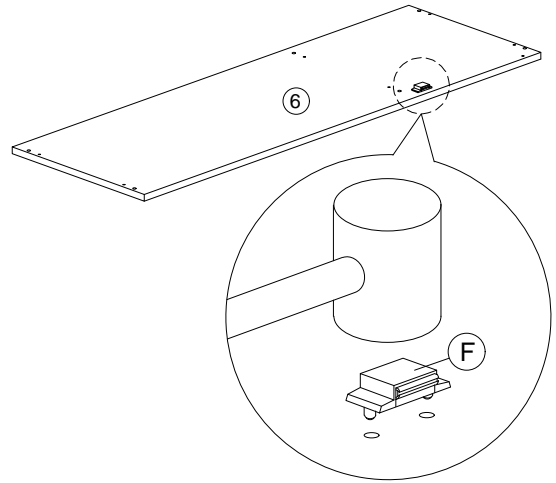
## Step 1

|   |   |                     |       |
|---|---|---------------------|-------|
| A |  | 8x25mm Dowel (Wood) | 16Pcs |
|---|---|---------------------|-------|



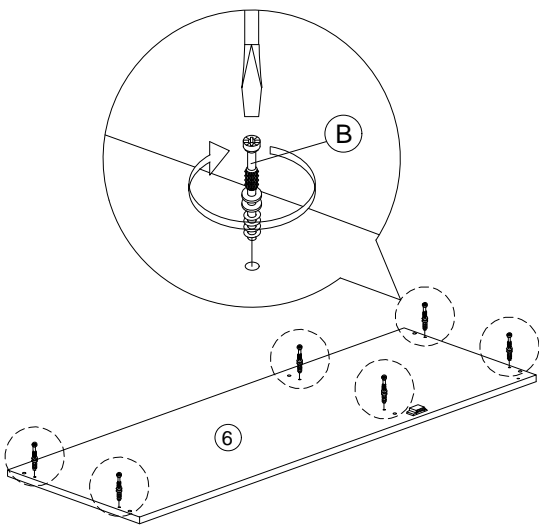
## Step 2

|   |   |              |     |
|---|---|--------------|-----|
| F |  | 2 Pin Magnet | 1Pc |
|---|---|--------------|-----|





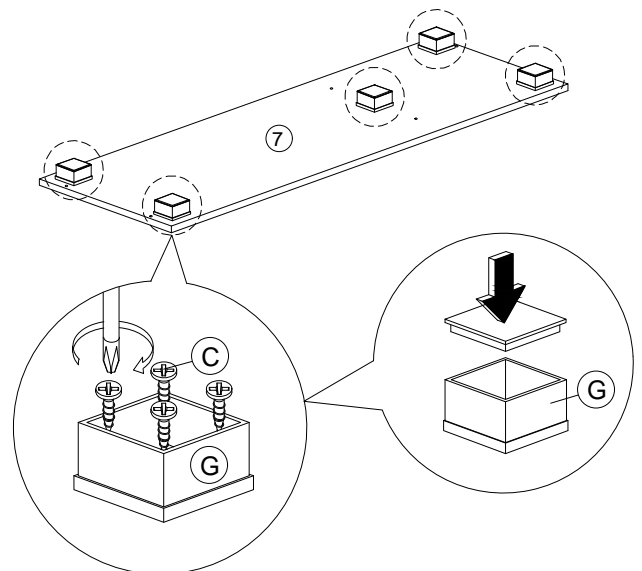
## Step 3

|   |   |       |      |
|---|---|-------|------|
| B |  | Myfix | 6Pcs |
|---|---|-------|------|





## Step 4

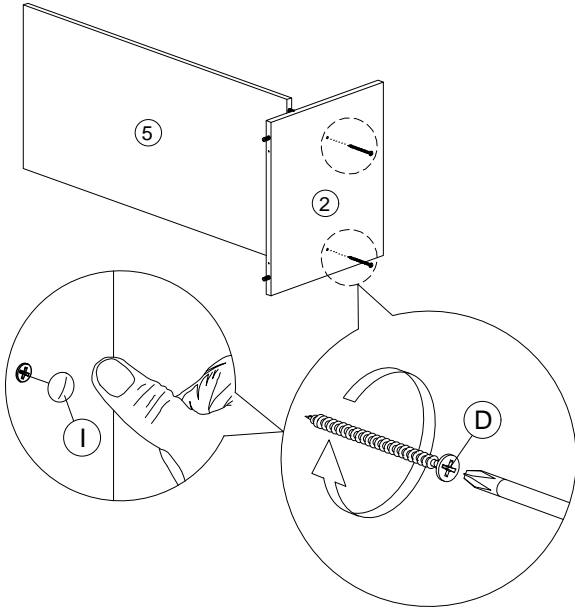
|   |   |                 |       |
|---|---|-----------------|-------|
| C |  | M3.5x16mm Screw | 20Pcs |
| G |  | Square Leg 39mm | 5Pcs  |




# Assembly Instruction

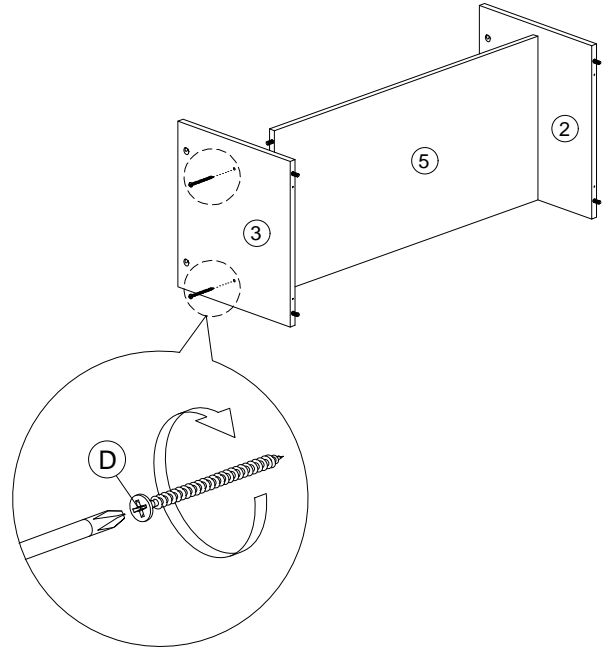
## Step 5

|   |   |               |      |
|---|---|---------------|------|
| D |  | M4x45mm Screw | 2Pcs |
| I |  | Sticker       | 2Pcs |




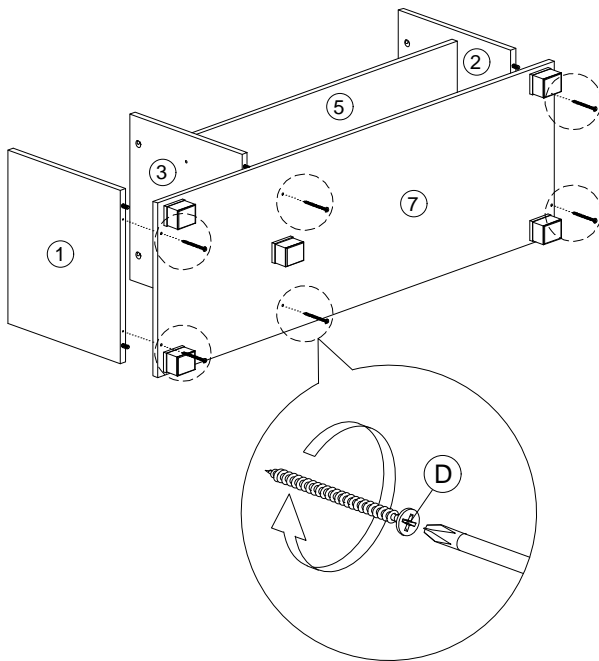
## Step 6

|   |   |               |      |
|---|---|---------------|------|
| D |  | M4x45mm Screw | 2Pcs |
|---|---|---------------|------|



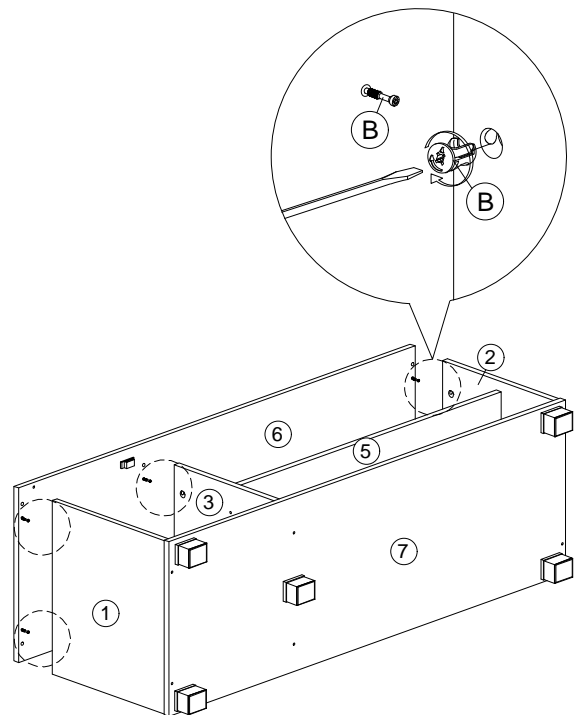
## Step 7

|   |   |               |      |
|---|---|---------------|------|
| D |  | M4x45mm Screw | 6Pcs |
|---|---|---------------|------|



## Step 8

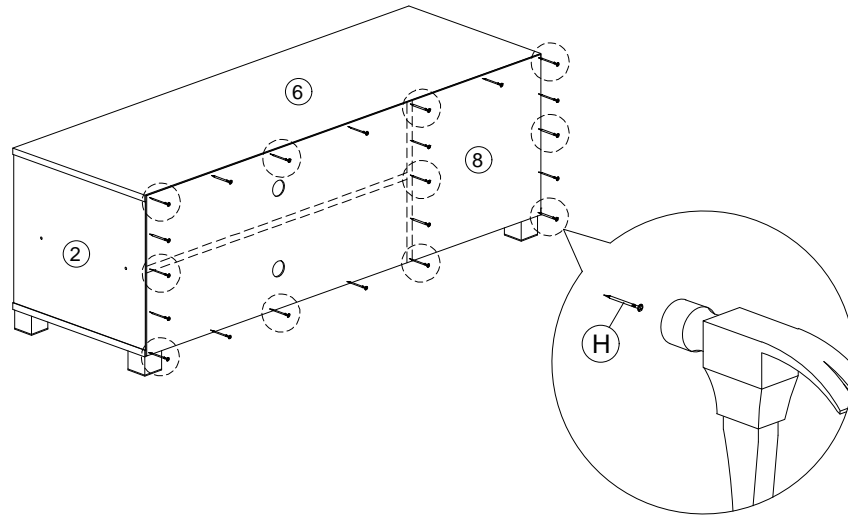
|   |   |         |      |
|---|---|---------|------|
| B |  | Minifix | 6Pcs |
|---|---|---------|------|




# Assembly Instruction

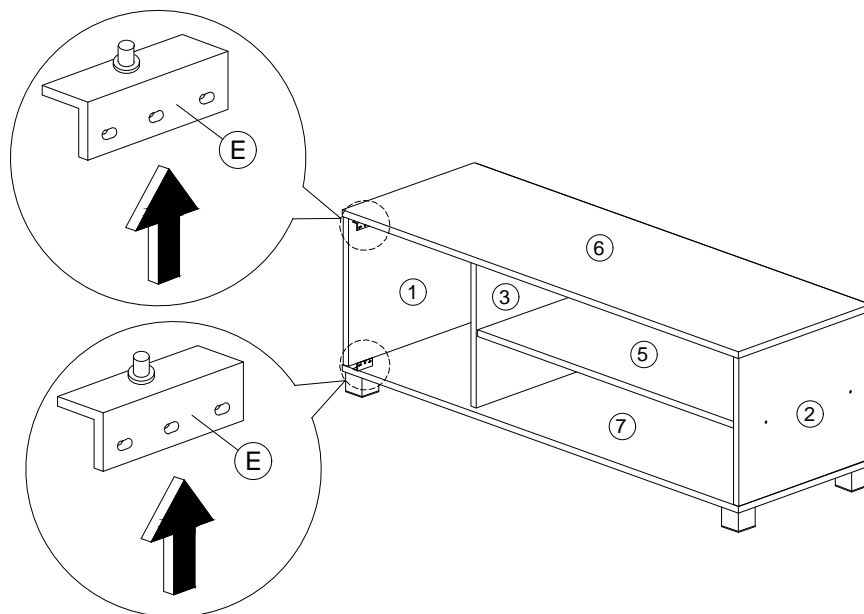
Step 9

|   |   |               |       |
|---|---|---------------|-------|
| H |  | 6/8 Power Pin | 30Pcs |
|---|---|---------------|-------|



Step 10

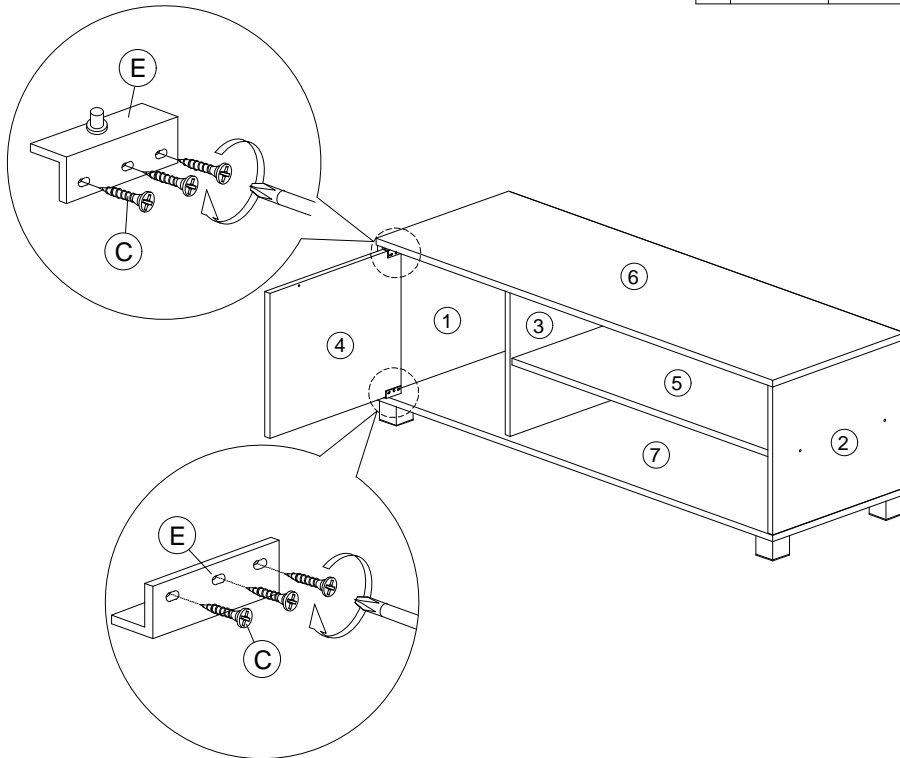
|   |   |            |      |
|---|---|------------|------|
| E |  | MT Stopper | 2Pcs |
|---|---|------------|------|




# Assembly Instruction


## Step 11

|   |   |                 |      |
|---|---|-----------------|------|
| C |  | M3.5x16mm Screw | 6Pcs |
|---|---|-----------------|------|



## Step 12

|   |   |                 |     |
|---|---|-----------------|-----|
| C |  | M3.5x16mm Screw | 1Pc |
|---|---|-----------------|-----|

|   |   |              |     |
|---|---|--------------|-----|
| F |  | 2 Pin Magnet | 1Pc |
|---|---|--------------|-----|

