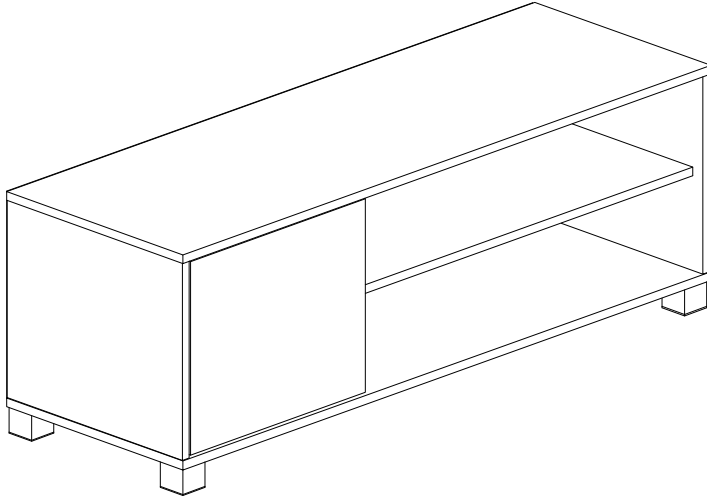




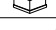





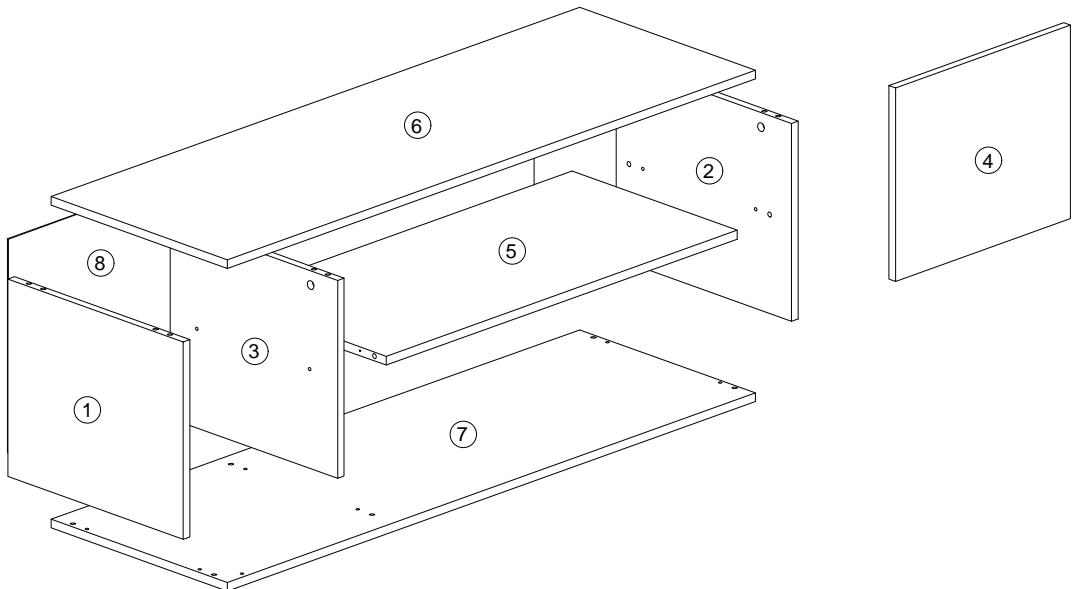
Assembly Instruction

049-000081



Hardware List			
No.	SHAPE	DESCRIPTION	Qty.
A		8x25mm Dowel (Wood)	16Pcs
B		15MM Myfix Minifix	6Sets
C		M3.5x16mm Screw	27Pcs
D		M4x45mm Screw	10Pcs
E		MT Stopper	2Pcs
F		2 Pin Magnet	1Set
G		Square Leg 39mm	5Pcs
H		6/8 Power Pin	30Pcs
I		Sticker	2Pcs

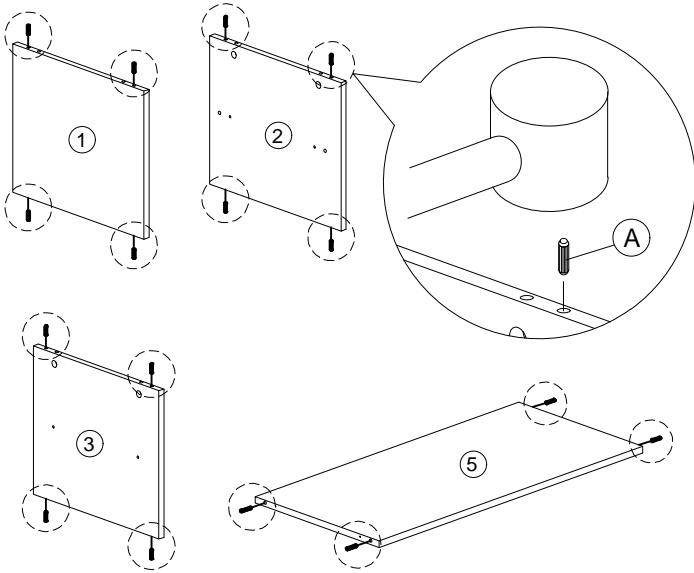
Part List



Assembly Instruction

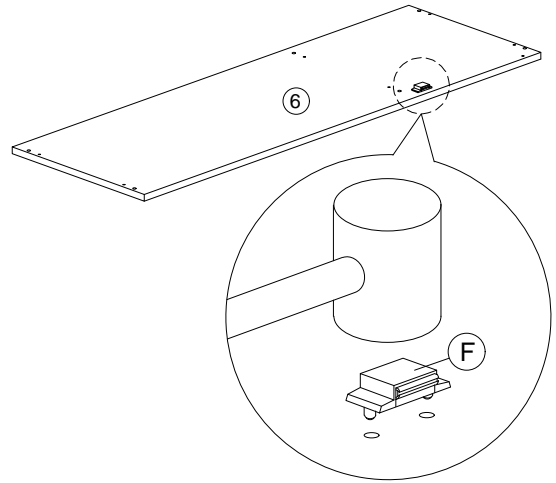
Step 1

A		8x25mm Dowel (Wood)	16Pcs
---	---	---------------------	-------



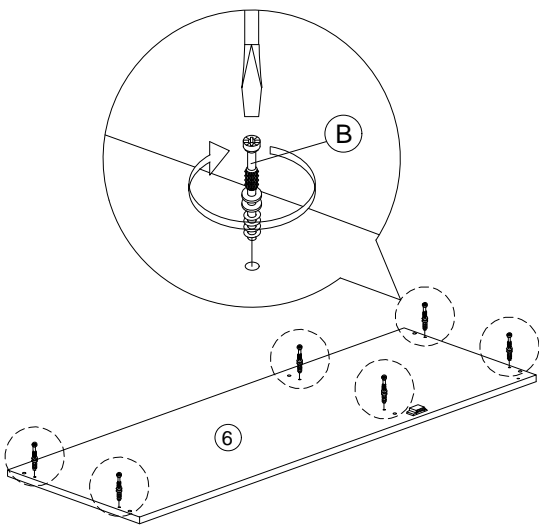
Step 2

F		2 Pin Magnet	1Pc
---	---	--------------	-----





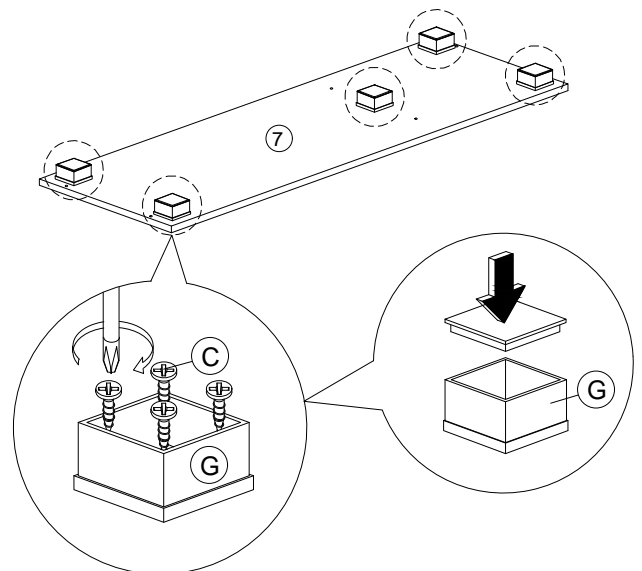
Step 3

B		Myfix	6Pcs
---	---	-------	------





Step 4

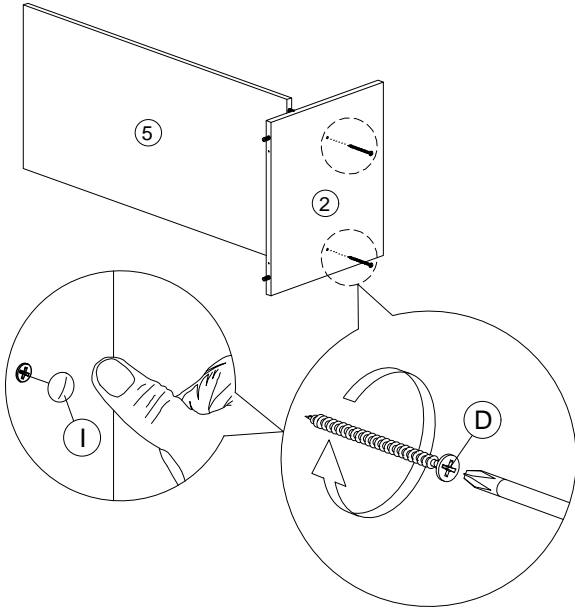
C		M3.5x16mm Screw	20Pcs
G		Square Leg 39mm	5Pcs




Assembly Instruction

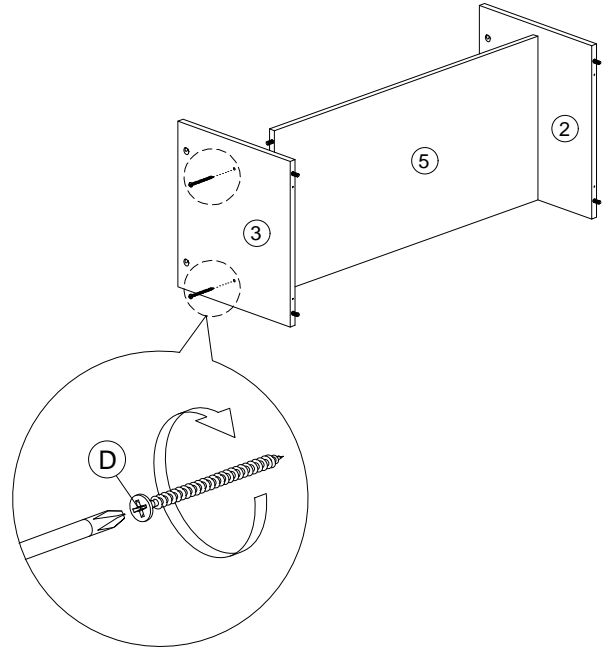
Step 5

D		M4x45mm Screw	2Pcs
I		Sticker	2Pcs




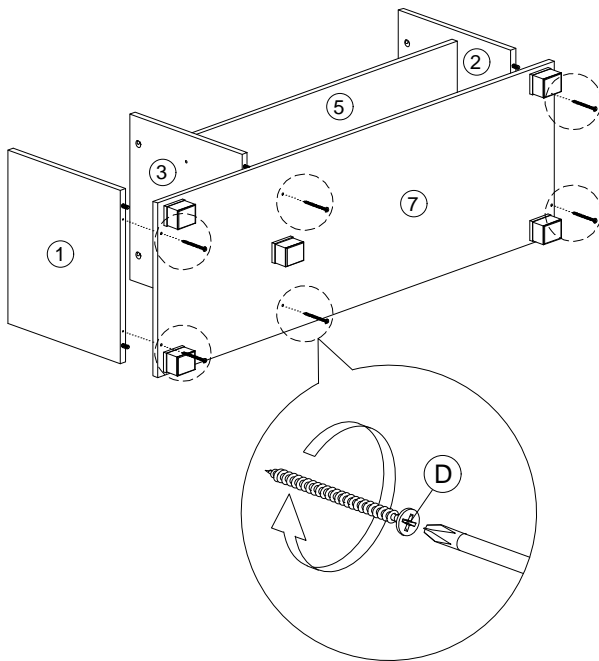
Step 6

D		M4x45mm Screw	2Pcs
---	---	---------------	------



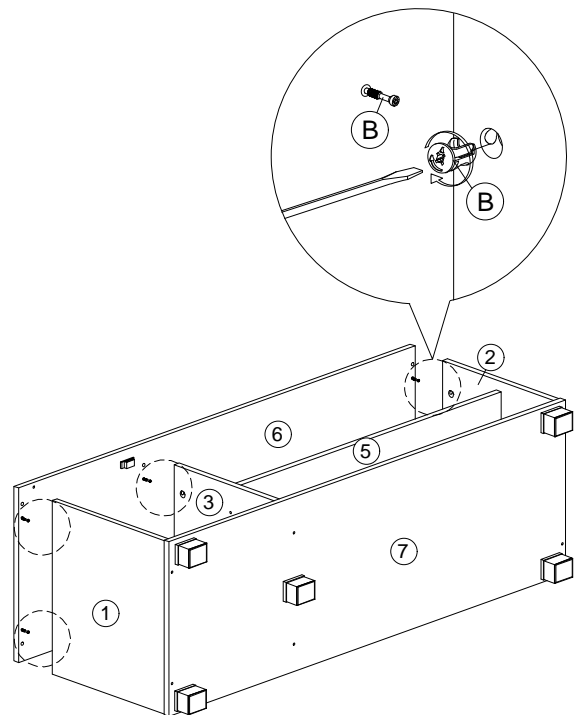
Step 7

D		M4x45mm Screw	6Pcs
---	---	---------------	------



Step 8

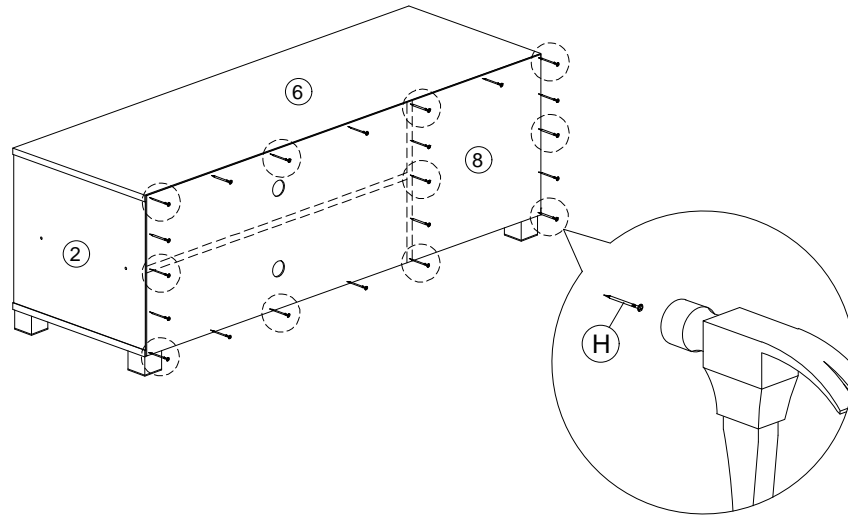
B		Minifix	6Pcs
---	---	---------	------




Assembly Instruction

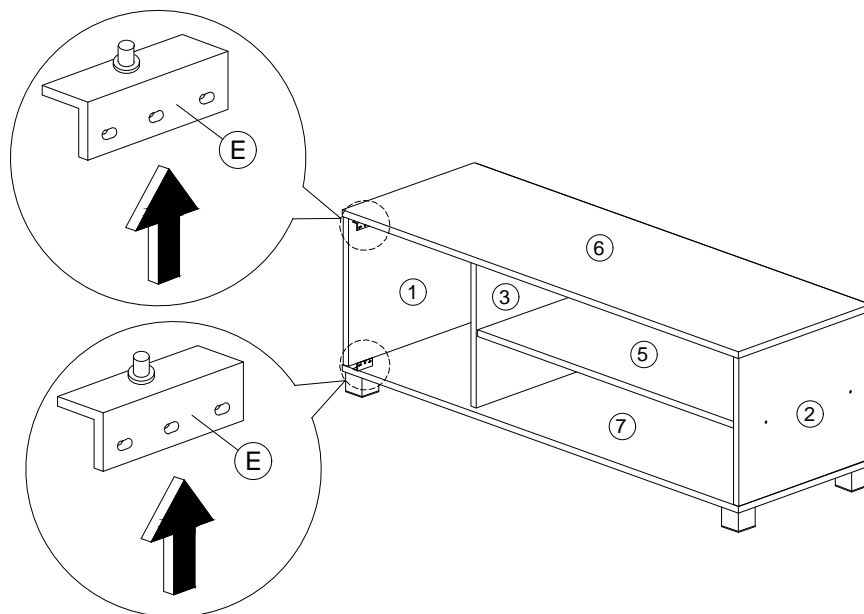
Step 9

H		6/8 Power Pin	30Pcs
---	---	---------------	-------



Step 10

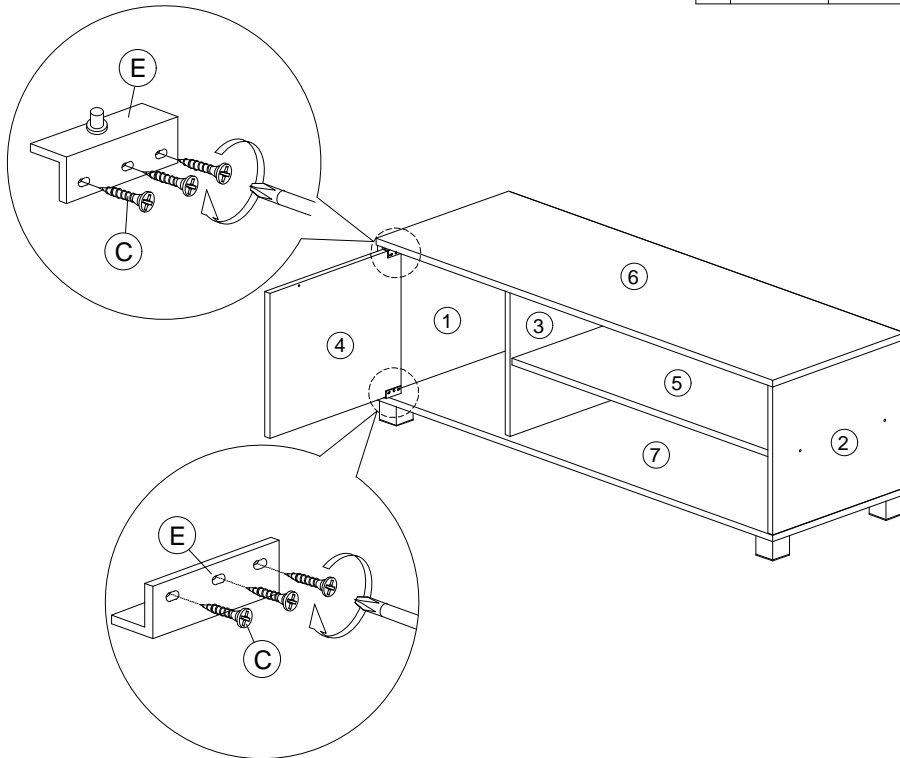
E		MT Stopper	2Pcs
---	---	------------	------




Assembly Instruction


Step 11

C		M3.5x16mm Screw	6Pcs
---	---	-----------------	------



Step 12

C		M3.5x16mm Screw	1Pc
---	---	-----------------	-----

F		2 Pin Magnet	1Pc
---	---	--------------	-----

