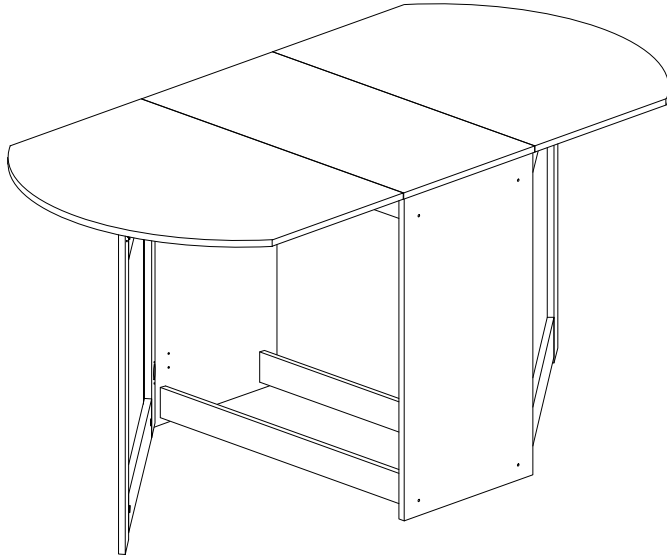


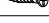

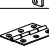







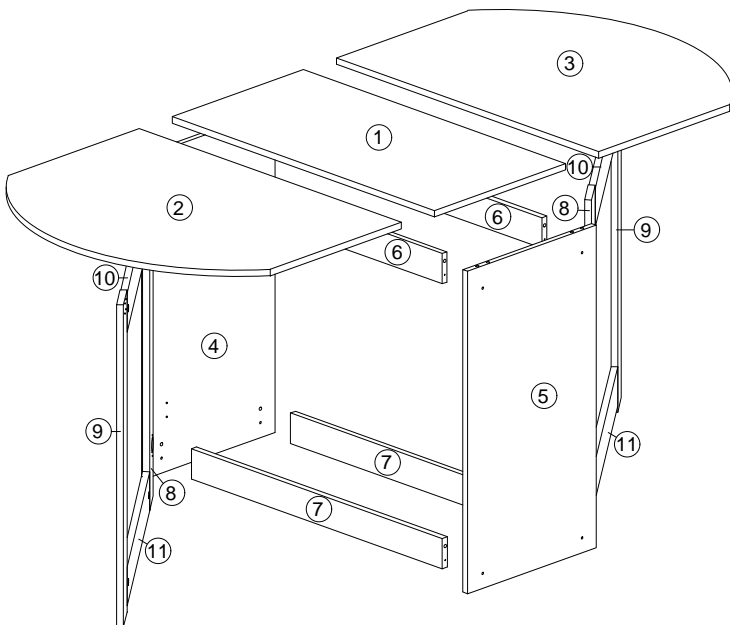
Assembly Instruction

Model : 049-000091



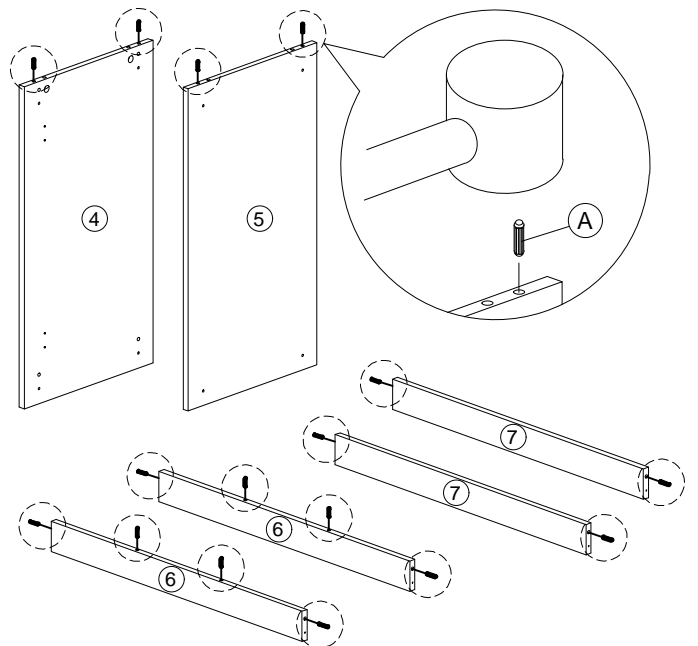
Hardware List			
No.	SHAPE	DESCRIPTION	Qty.
A		8x25mm Dowel	16Pcs
B		15MM Myfix Minifix	12Sets
C		M3.5x16mm Screw	68Pcs
D		M4x45mm Screw	8Pcs
E		Hinges 7/8	4Pcs
F		TJ 5022 6 hole Hingers(RB) 50mmX30mmX1.5mm (T&J)	6Pcs
G		Furniture Bolt	2Pcs
H		5/8 Nail With Pin	8Pcs
I		Sticker	8Pcs
J		8x40mm Dowel	16Pcs

Part List




Step 1

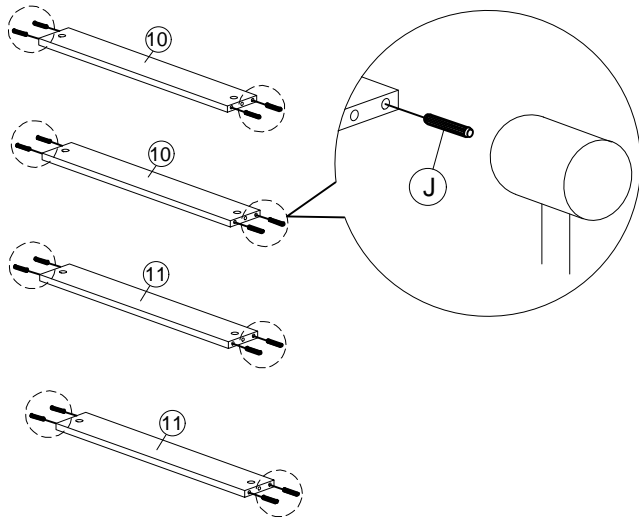
A		8x25mm Dowel	16Pcs
---	---	--------------	-------




Assembly Instruction

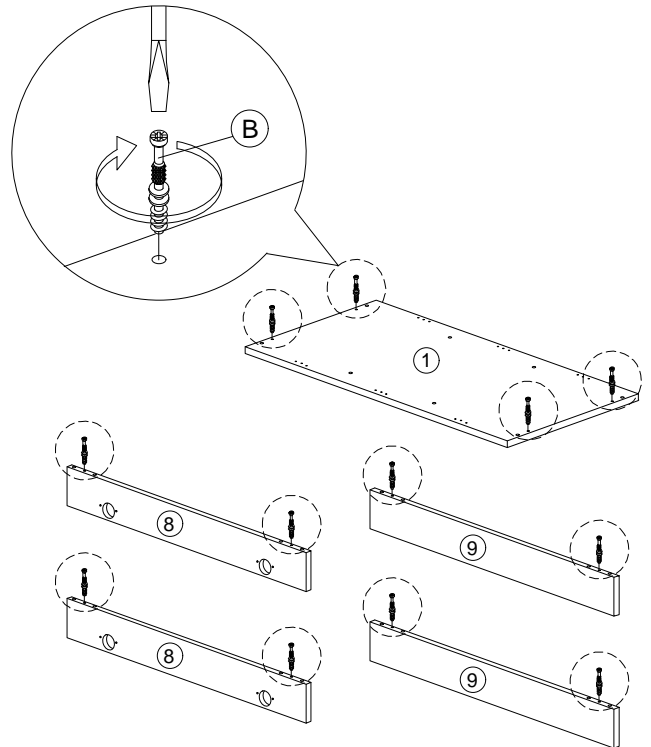
Step 2

J		8x40mm Dowel	16Pcs
---	---	--------------	-------





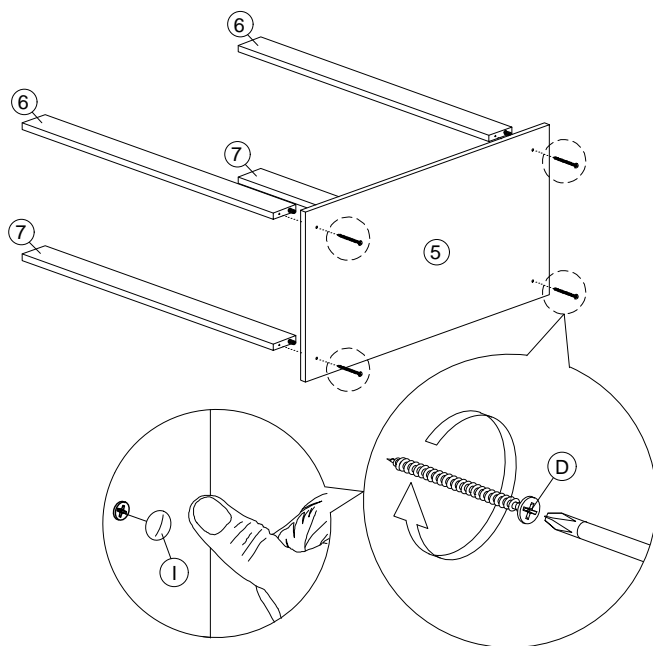
Step 3

B		Myfix	12Pcs
---	---	-------	-------





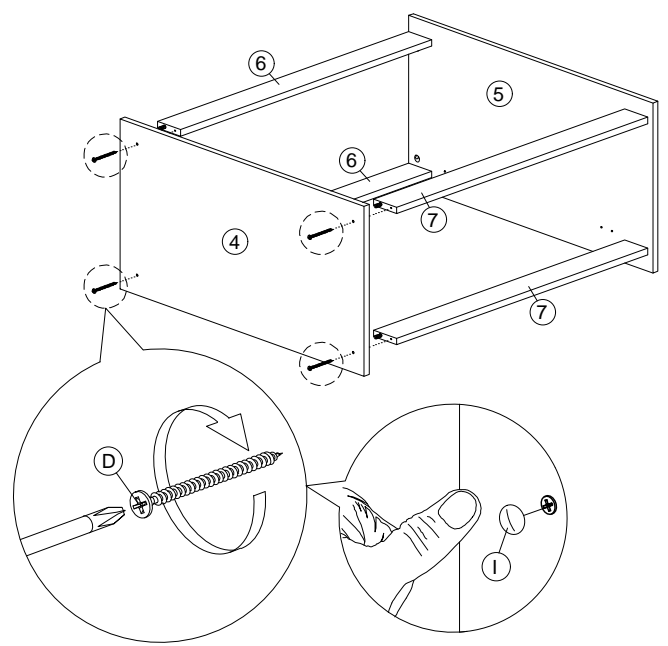
Step 4

D		M4x45mm Screw	4Pcs
I		Sticker	4Pcs



Step 5

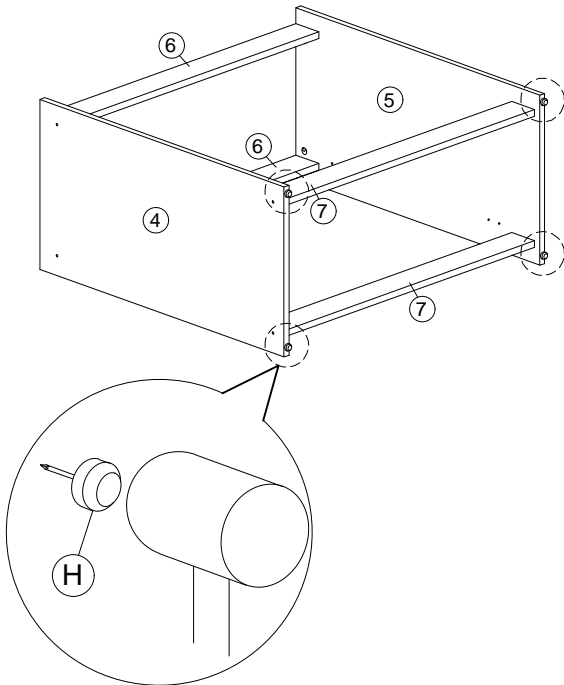
D		M4x45mm Screw	4Pcs
I		Sticker	4Pcs



Assembly Instruction

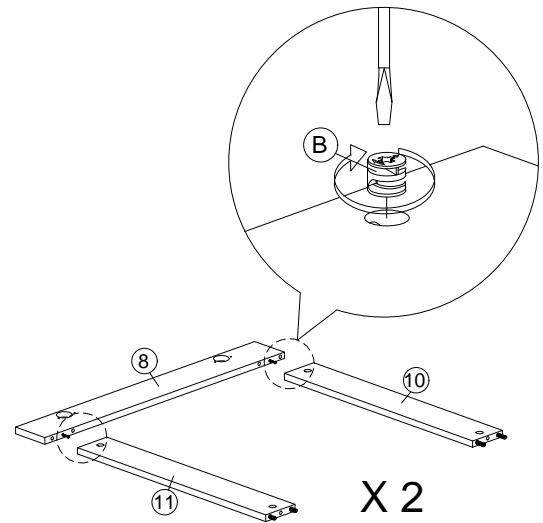
Step 6

H		5/8 Nail With Pin	4Pcs
---	---	-------------------	------




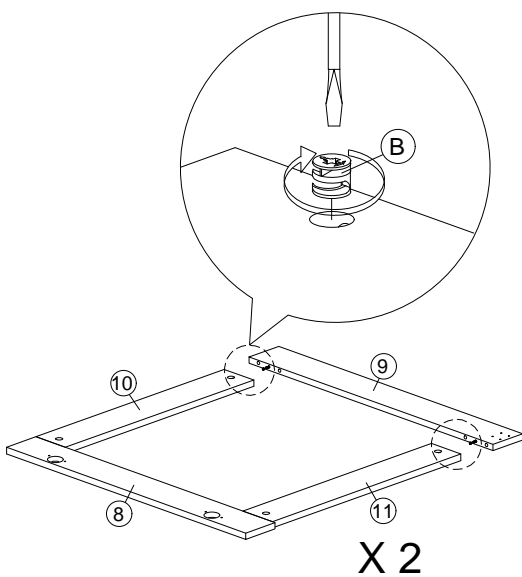
Step 7

B		Minifix	4Pcs
---	---	---------	------

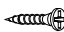



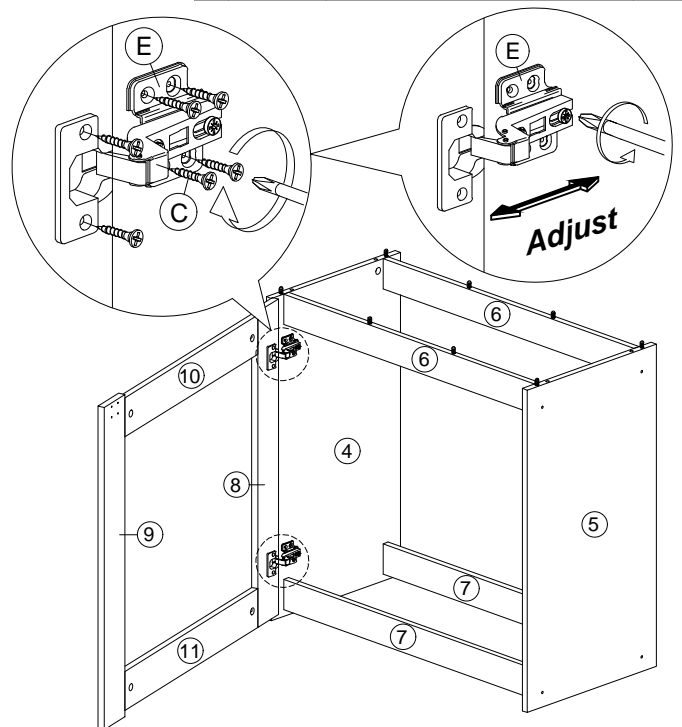
Step 8

B		Minifix	4Pcs
---	---	---------	------



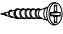

Step 9

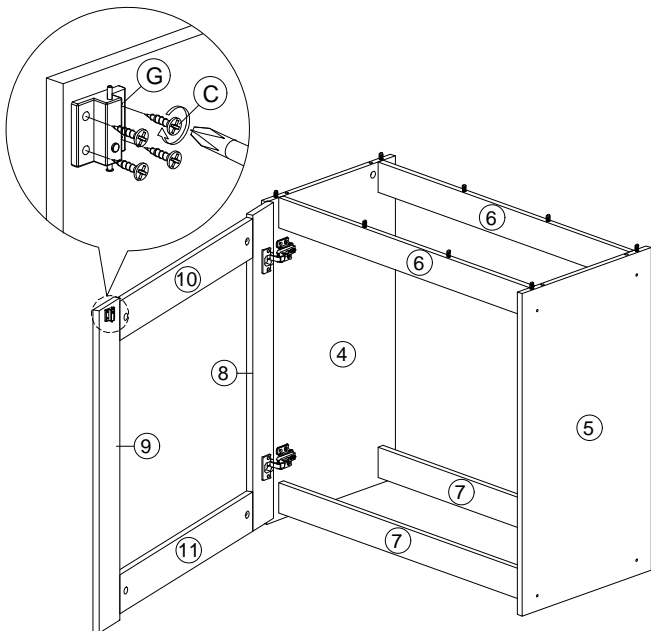
C		M3.5x16mm Screw	12Pcs
E		Hinges 7/8	2Pcs



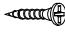

Assembly Instruction

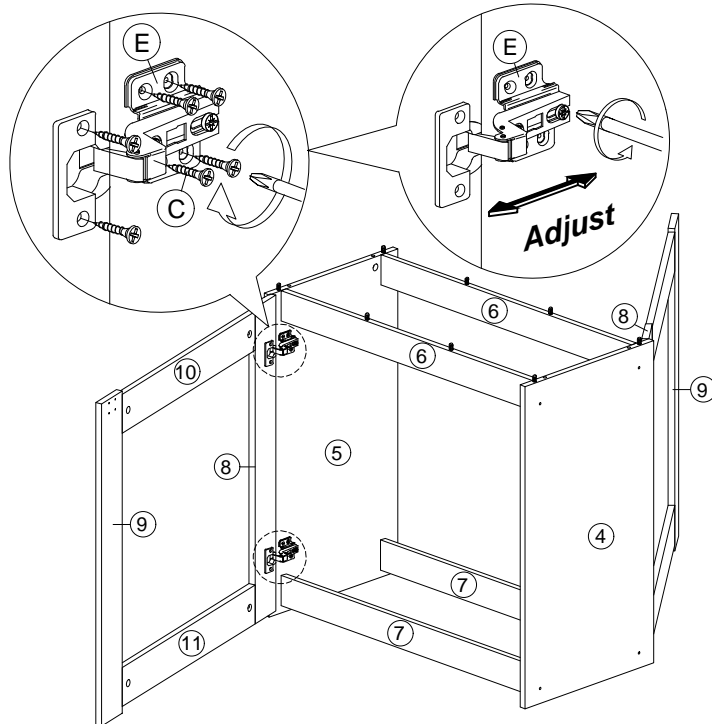
Step 10

C		M3.5x16mm Screw	4Pcs
G		Furniture Bolt	1Pc

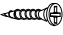



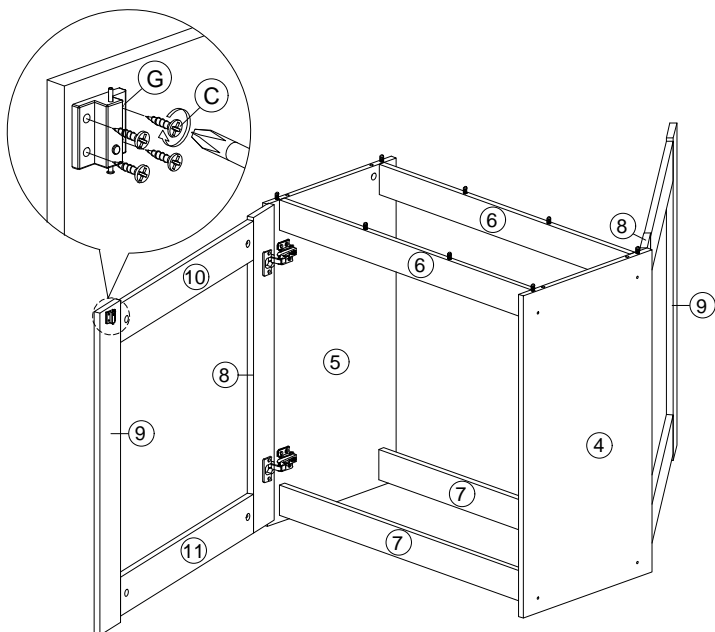
Step 11

C		M3.5x16mm Screw	12Pcs
E		Hinges 7/8	2Pcs

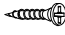



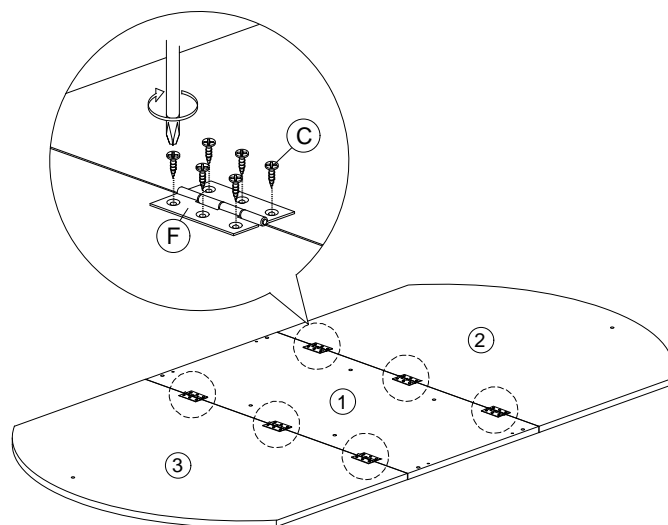
Step 12

C		M3.5x16mm Screw	4Pcs
G		Furniture Bolt	1Pc



Step 13

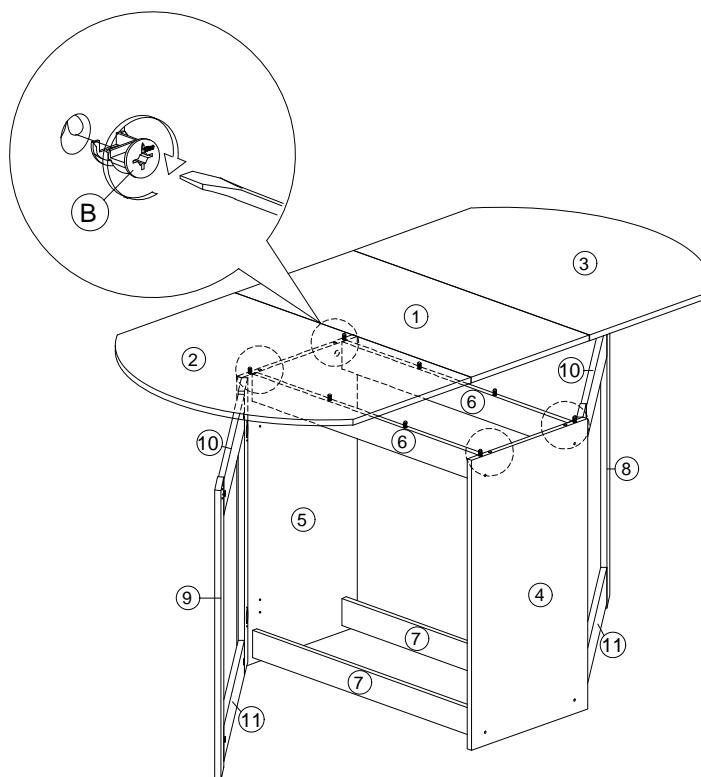
C		M3.5x16mm Screw	36Pcs
F		TJ 5022 6 hole Hinges(RB) 50mmX30mmX1.5mm (T&J)	6Pcs



Assembly Instruction

Step 14

B		Minifix	4Pcs
---	---	---------	------



Step 15

