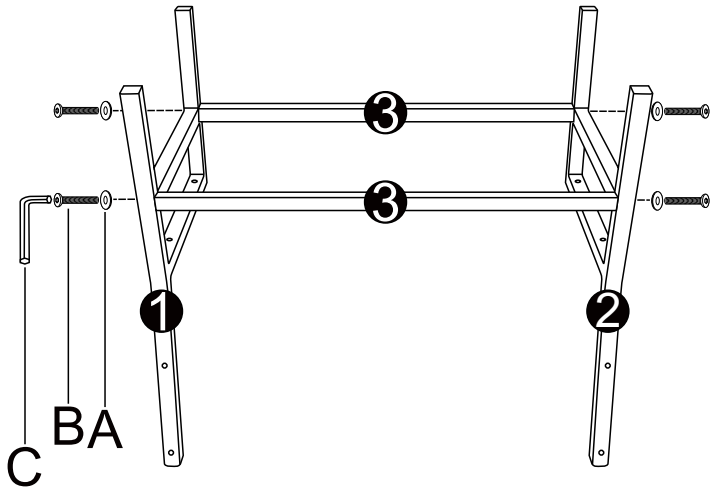


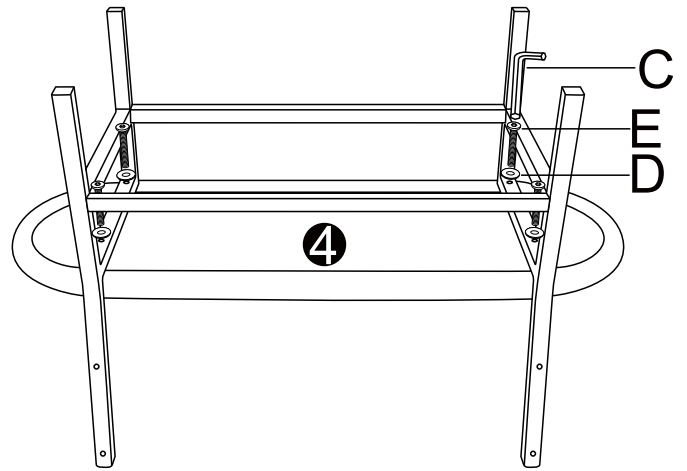
# ASSEMBLY INSTRUCTION

STEP:1

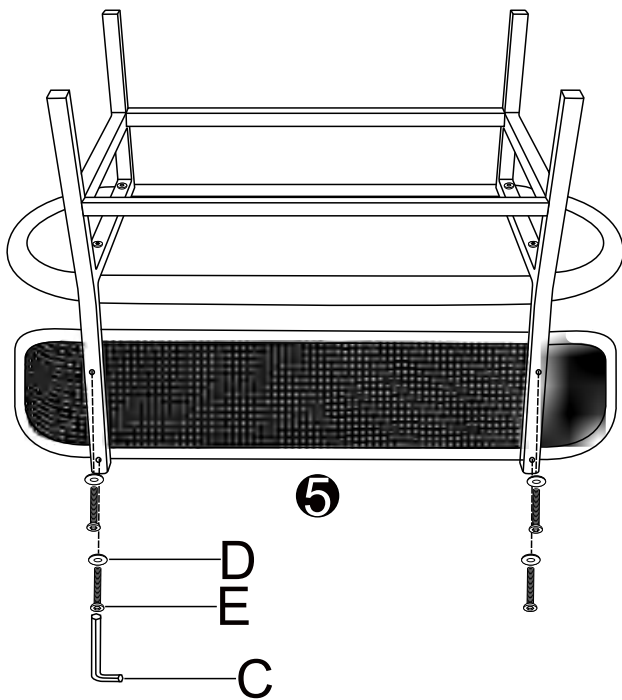


STEP:2

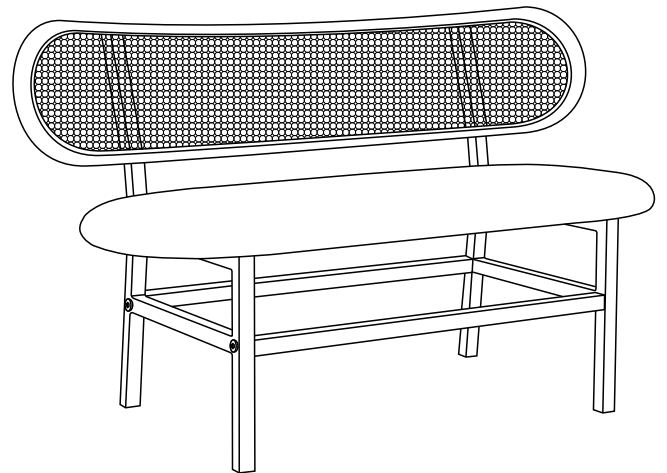
058-000070



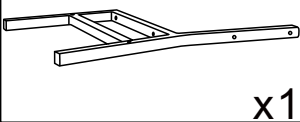
STEP:3



STEP:4

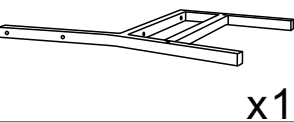


1



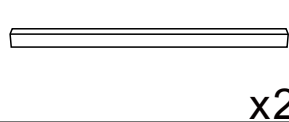
x1

2



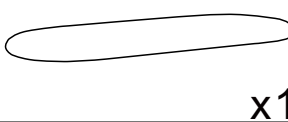
x1

3



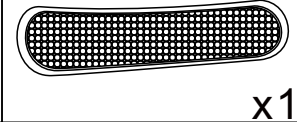
x2

4



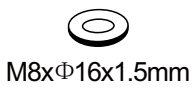
x1

5



x1

A



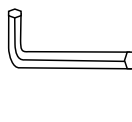
x4

B



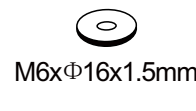
x4

C



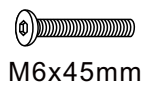
x1

D



x8

E



x8