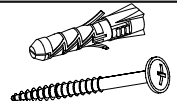
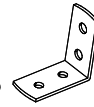
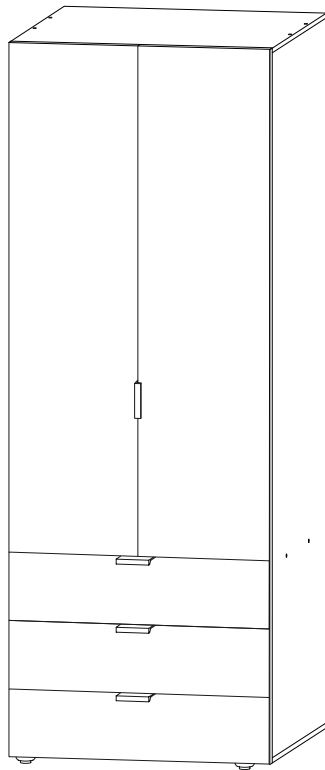
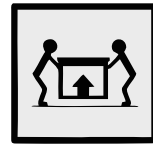


ENG



To avoid falling
we recommend fixing the product to the wall
using **corners** or **double-sided tape**
Purchase separately.

ENG



ENG

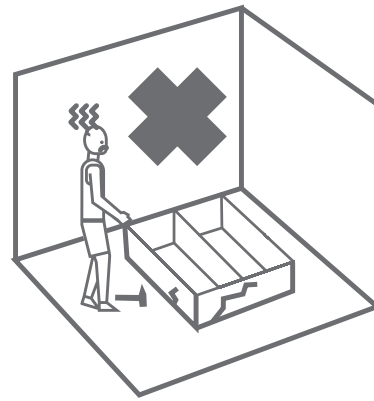
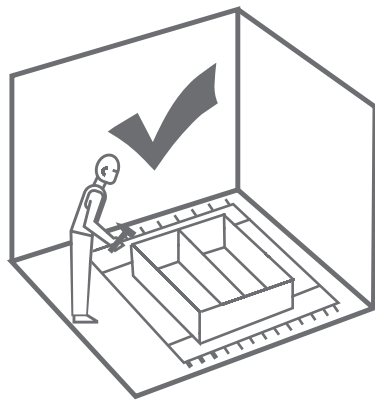
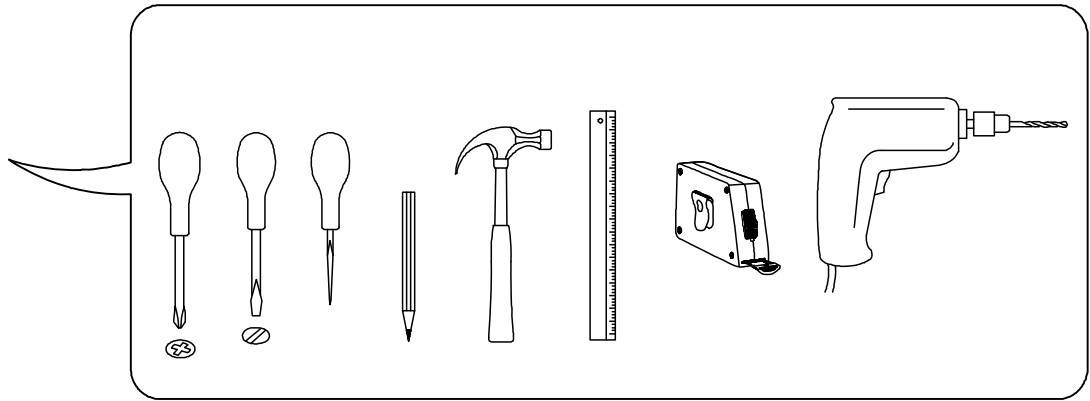


RULES FOR USE AND CARE OF FURNITURE

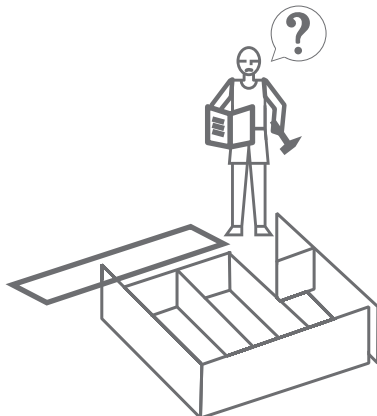
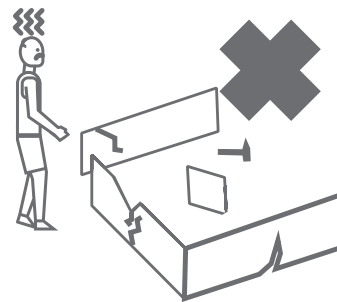
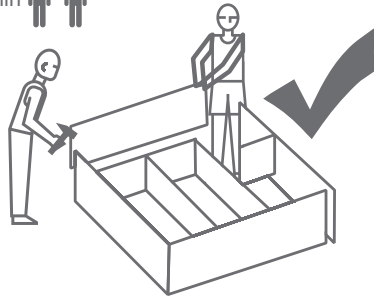
1. Use furniture only in dry rooms protected from the effects of weather conditions.
2. Install with suitable tools according to these assembly instructions.
3. Try to assemble as close to the location as possible.
4. The body is assembling in a horizontal position.
5. Before moving furniture, make sure that it is not loaded with items.

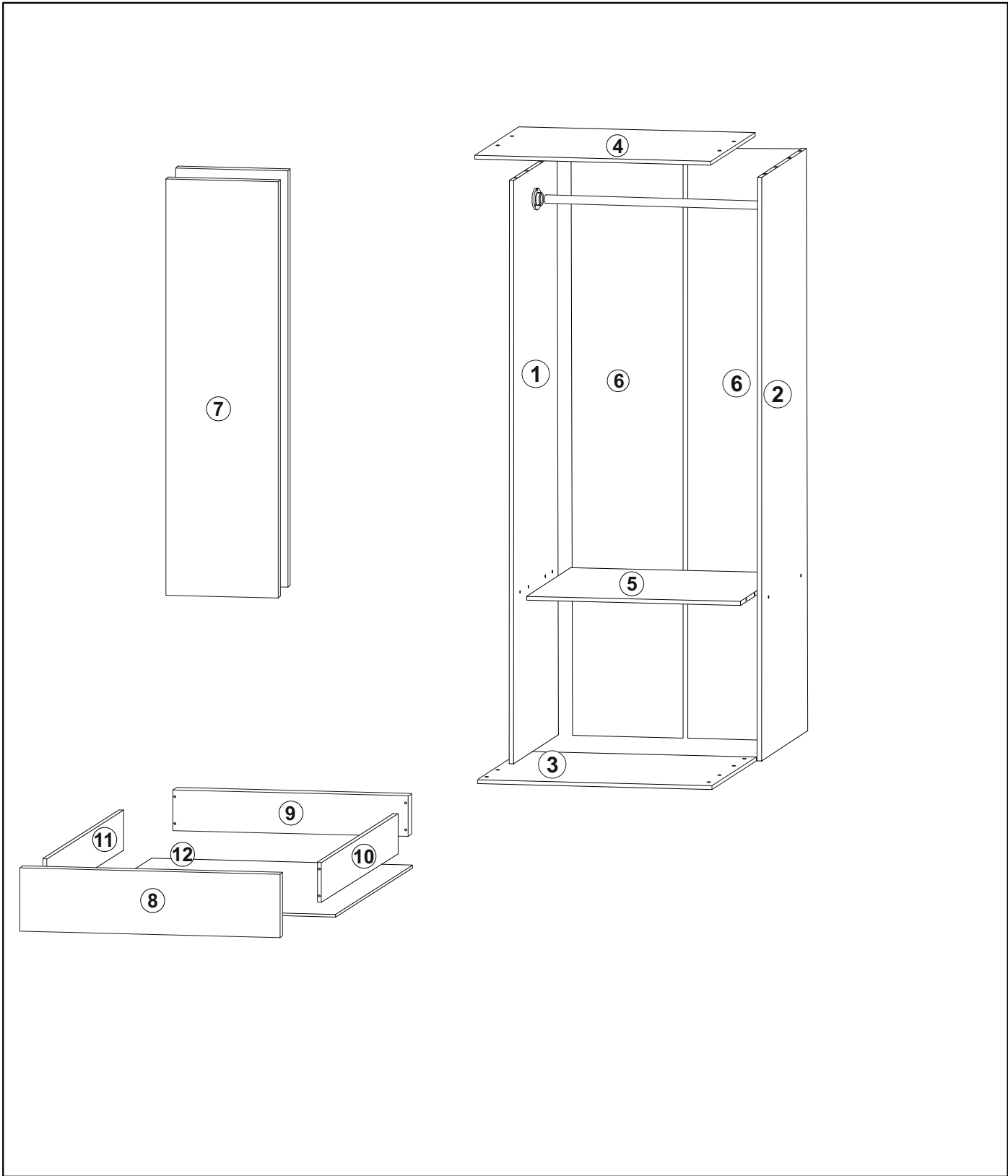
Caution: moving furniture may damage it.
When moving, hold on to vertical elements only;
moving furniture by horizontal parts can break
the product.

6. Overloading the furniture can damage it.
7. From time to time check the fittings and their correct position.
8. Wipe the furniture surface only with a slightly damp cloth or paper towels. Do not use chemical cleaning agents other than those specifically made for this.



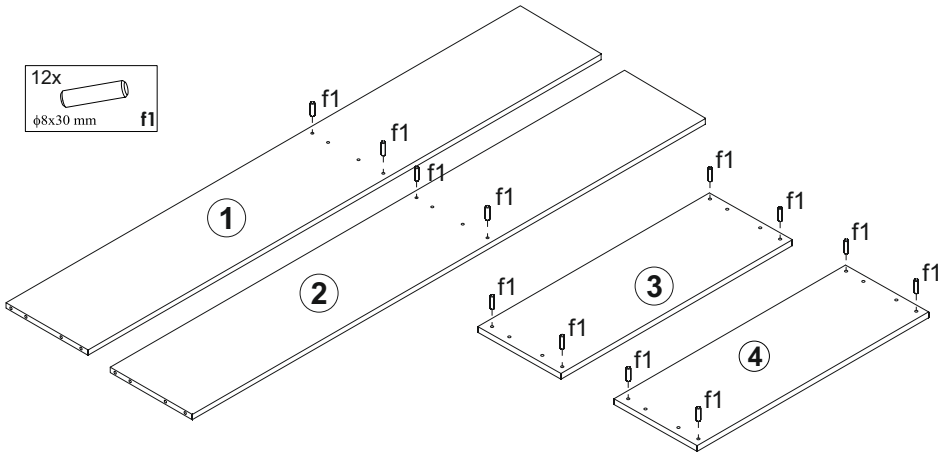
60-120 min



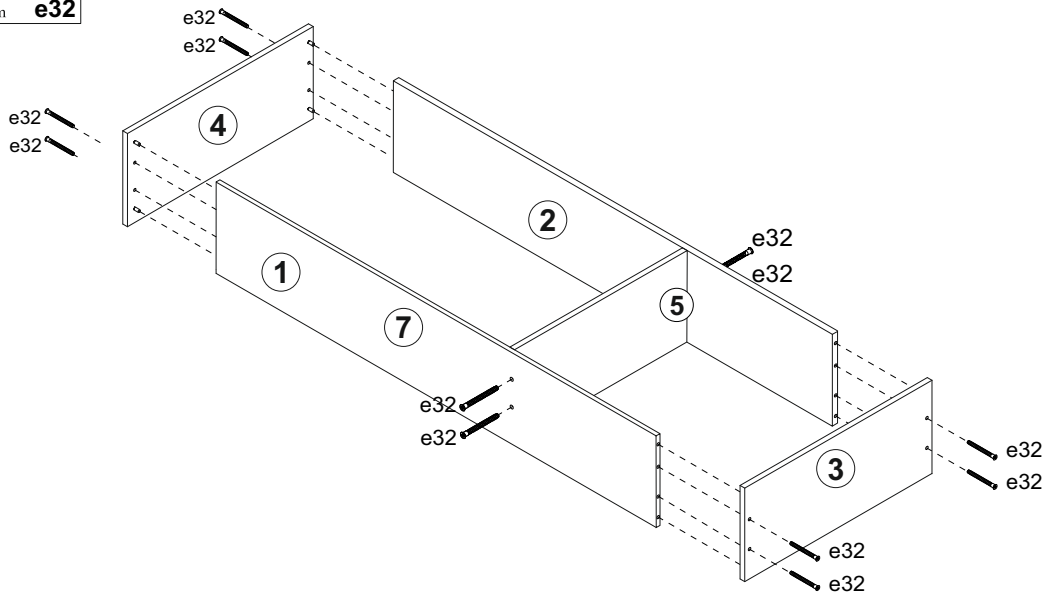
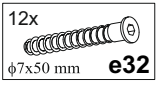


12x 15x10x14mm c14	6x D	12x s2	12x 20/9 r16	12x $\phi 15 \times 12 \text{ mm}$ #16 r1	2x n906	1x z1
4x	24x $\phi 7 \times 50 \text{ mm}$ e32	12x $\phi 8 \times 30 \text{ mm}$ f1	24x $\phi 6 \times 13 \text{ mm}$ e3	6x w5	6x w5	1x l1
1x	1x wr	24x s3	12x $\phi 3,5 \times 16 \text{ mm}$ p38	4x lr1		

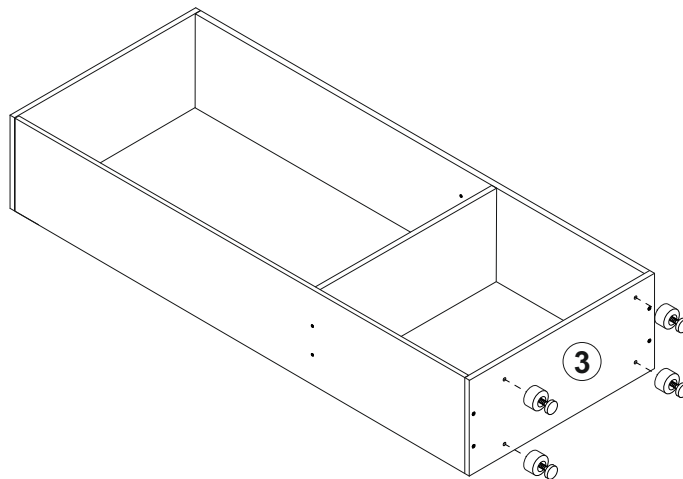
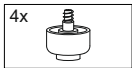
1

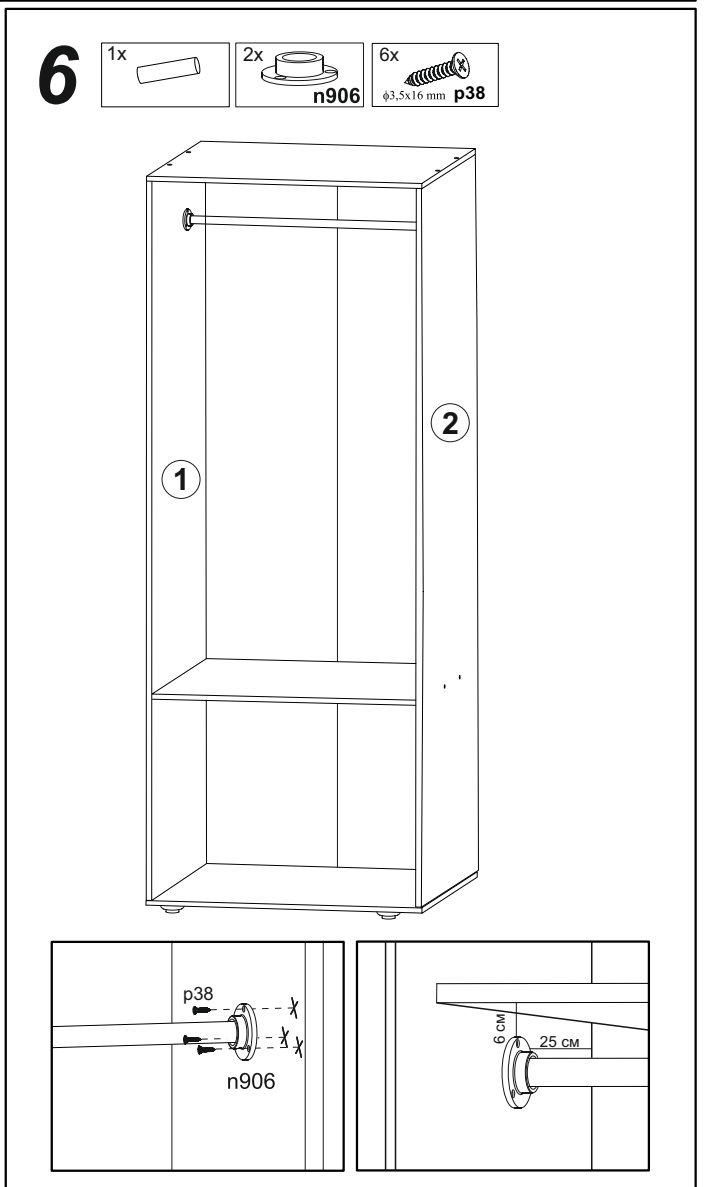
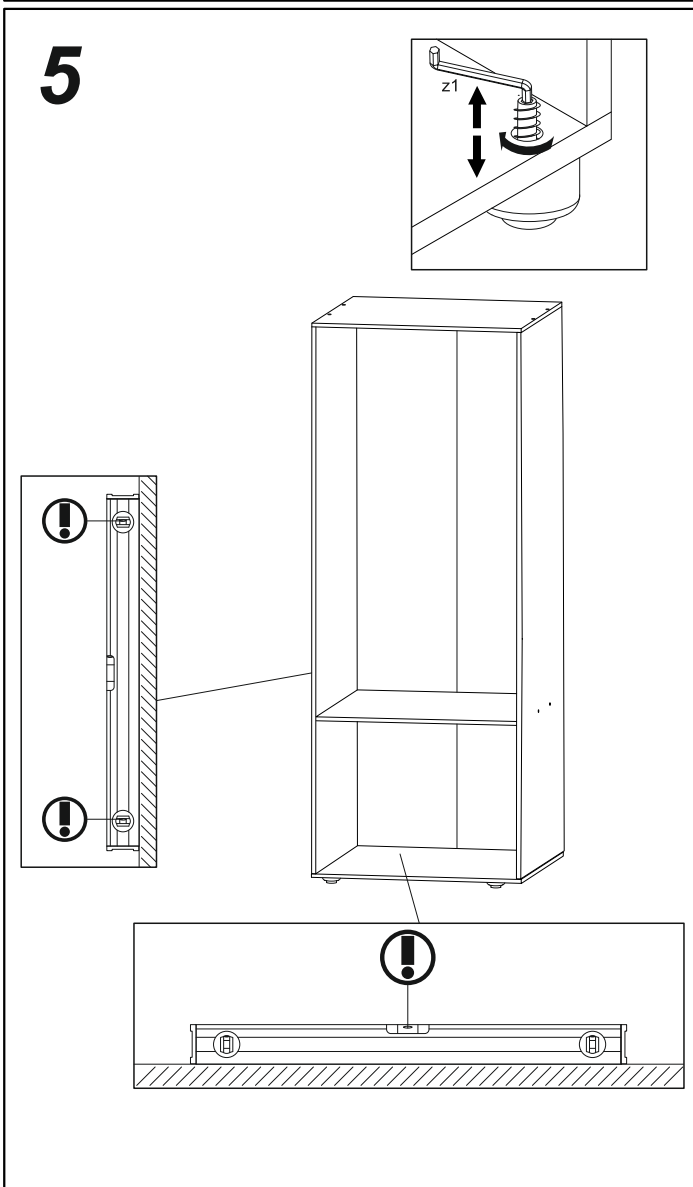
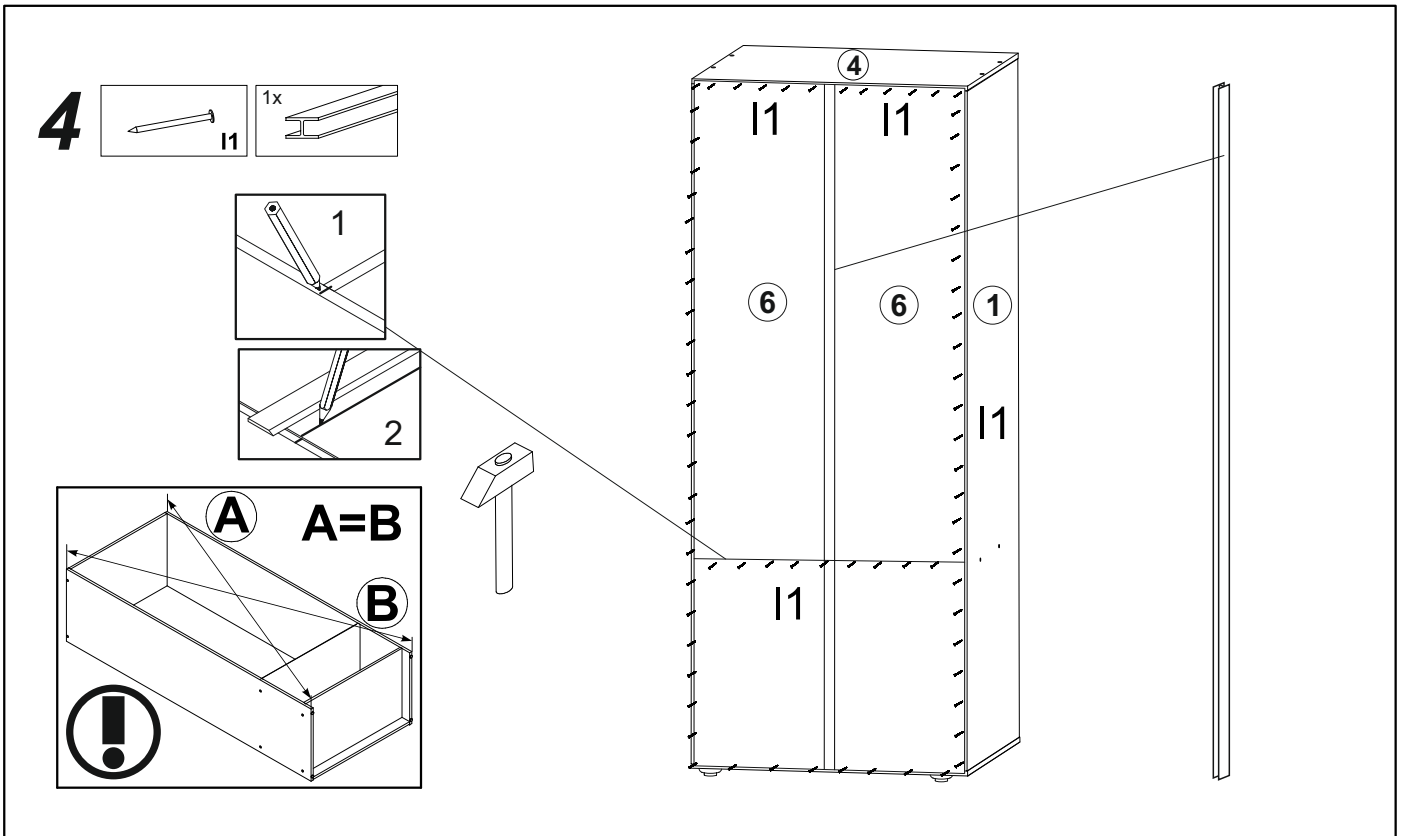


2

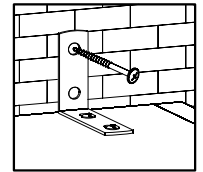
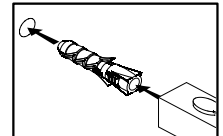
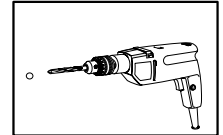
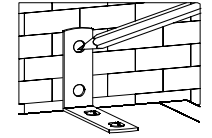
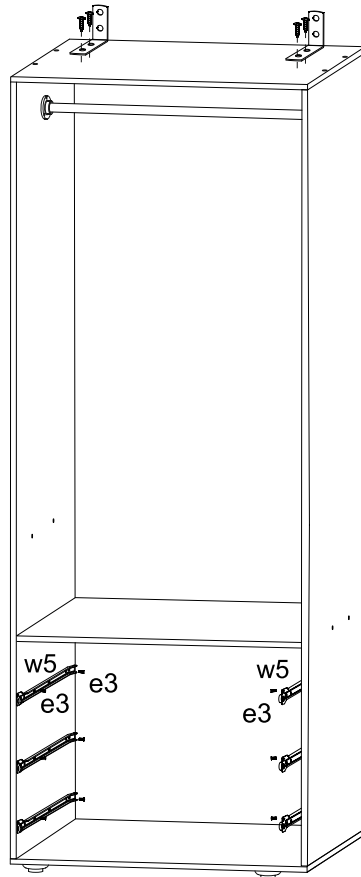
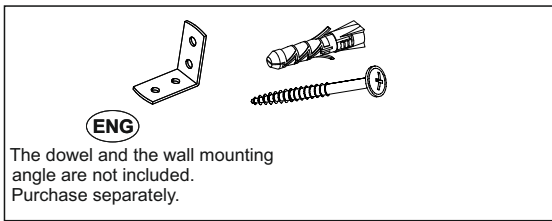
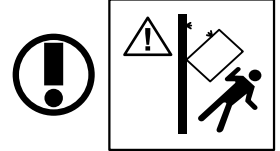
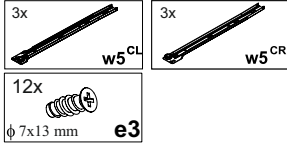


3

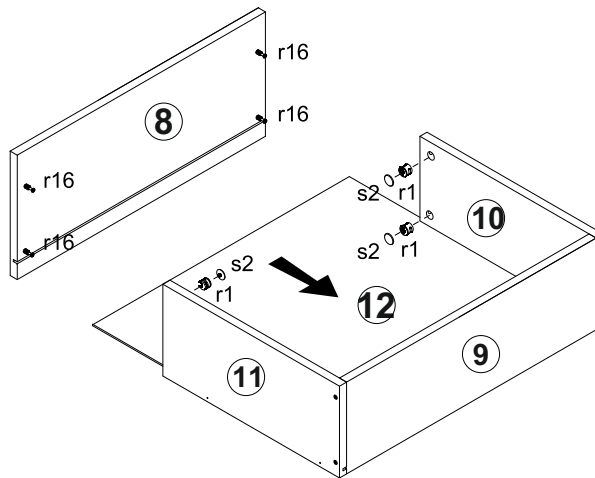
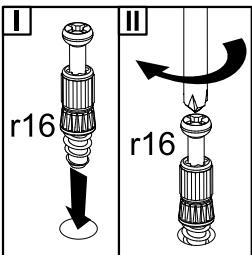
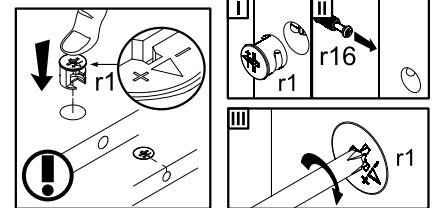
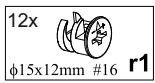




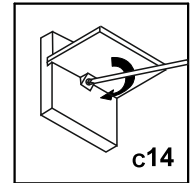
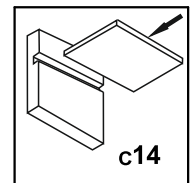
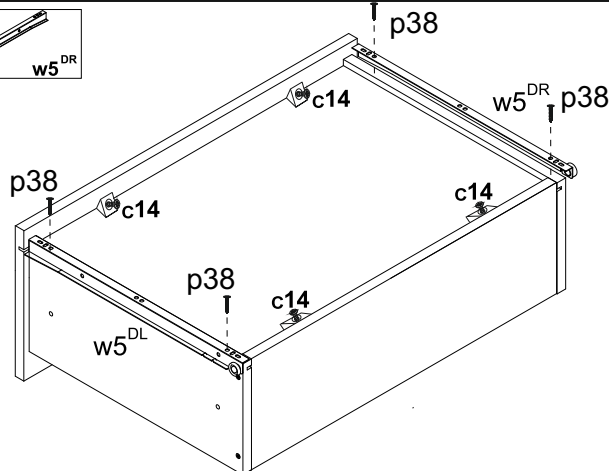
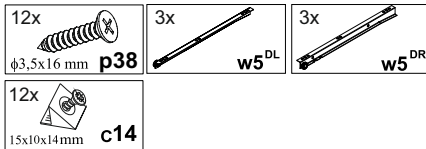
7



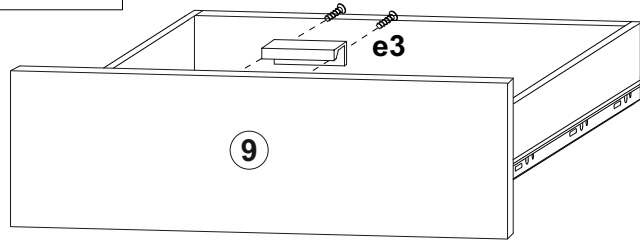
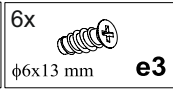
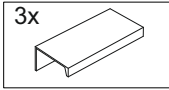
8



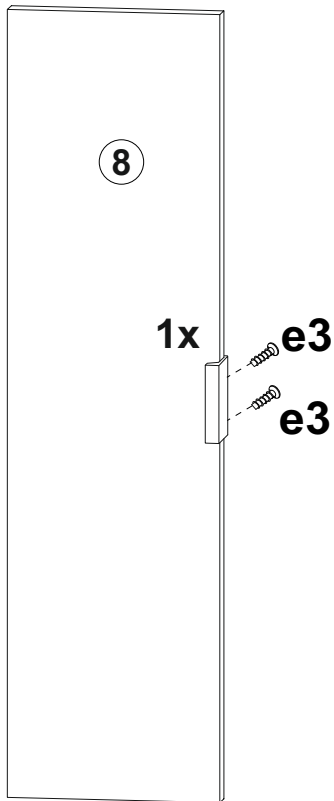
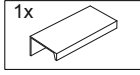
9



11



12



13

