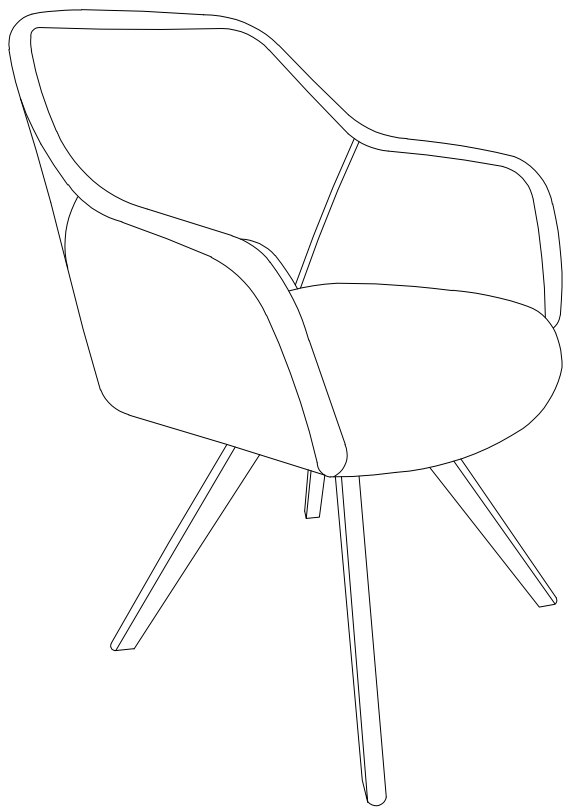




ASSEMBLY INSTRUCTION



A	 6#	1
B	 8x30mm	4

