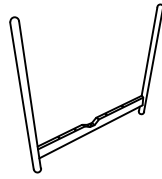


# ASSEMBLY INSTRUCTION

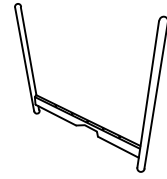
1-1PC



2-1PC



3-1PC

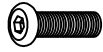


A-4PCS



M6x50

B-1PC



M6x35

C-9PCS



M6x16

D-1PC

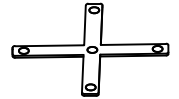


E-4PCS

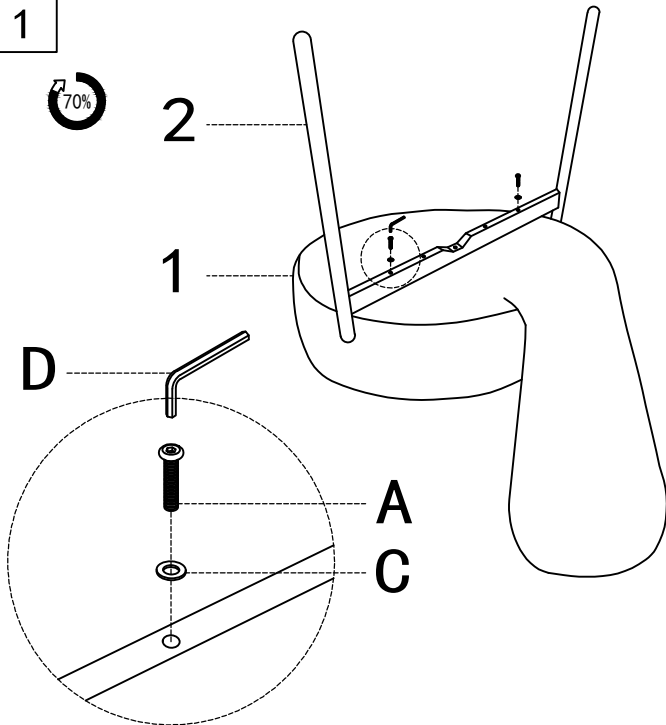


M6x13

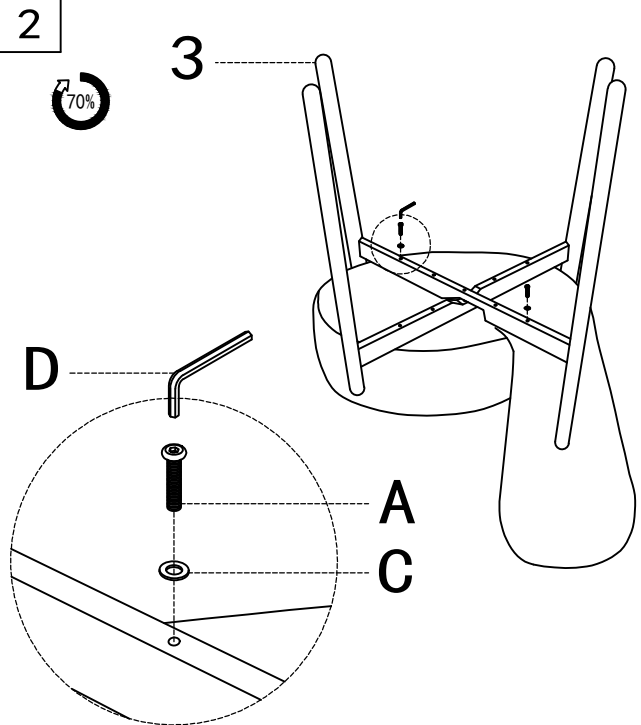
F-1PC



1



2



3

