


## BOOKCASE ASSEMBLY INSTRUCTIONS

**CONTENTS**  
**BOOKCASE**

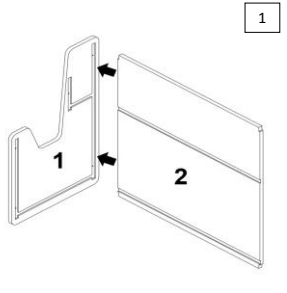
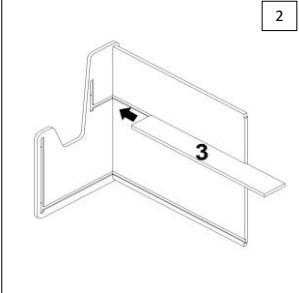
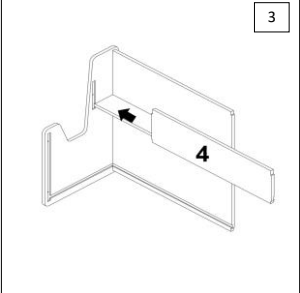
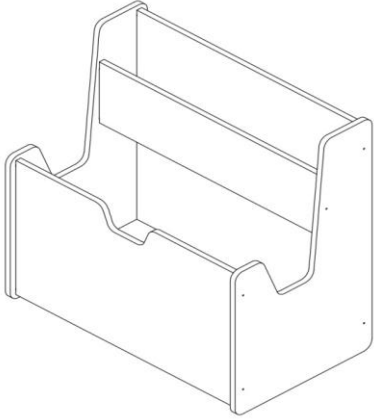
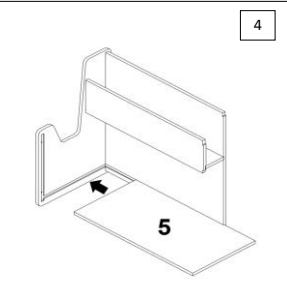
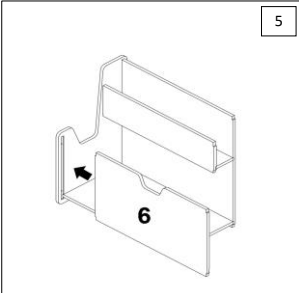
Code	Component	Qty
1	Left Panel-Right Panel	2
2	Rear Panel	1
3	Shelf(Channelled)	1
4	Book Separator	1
5	Bottom Panel	1
6	Toy Separator	1

**WARNINGS**

 <p>PZ 2</p>	<p>*THERE IS A RISK OF CHOKING DUE TO SMALL PARTS (SCREW, ETC.).</p> <p>*ASSEMBLY MUST BE MADE BY ADULTS. THE PRODUCT WILL BE ASSEMBLED WITH CORDLESS DRILL OR SCREWDRIVER.</p> <p>*PRODUCT MUST BE USED UNDER PARENTAL SUPERVISION.</p> <p>*UPPER PART IS DESIGNED AS A BOOKCASE, BOTTOM PART IS DESIGNED AS A TOY STORAGE.</p> <p>*APPROPRIATE USAGE TO PURPOSE SHOULD BE PROVIDED, SHOULD NOT CLIMBED ON IT.</p> <p>*THE PRODUCT SHOULDN'T CONTACT WITH WATER. SHOULD CLEAN WITH A WET CLOTH.</p>
--	--

**\*ATTENTION: SCREWS AND PARTS NEED TO BE FULLY TIGHTEN AFTER ASSEMBLY!**

**ASSEMBLY STEPS**

<p>1</p> 	<p>2</p> 	<p>3</p> 	<p>Final View</p> 
<p>4</p> 	<p>5</p> 	<p>6</p> 