

MULTI-PURPOSE SHELF / 3 SHELVED

ASSEMBLY INSTRUCTIONS

CONTENTS

Code	Component	Qty
1	Roof	2
2	Roof Mid Rails (With Hook&Loop Tape)	2
3	Top and Bottom Rails	3
4	Side Struts	4
5	Shelves	3
6	Roof Fabric	1
7	Mounting Screw	18+1 (Yedek)

PLEASE USE CORDLESS DRILL FOR EASY INSTALLATION.



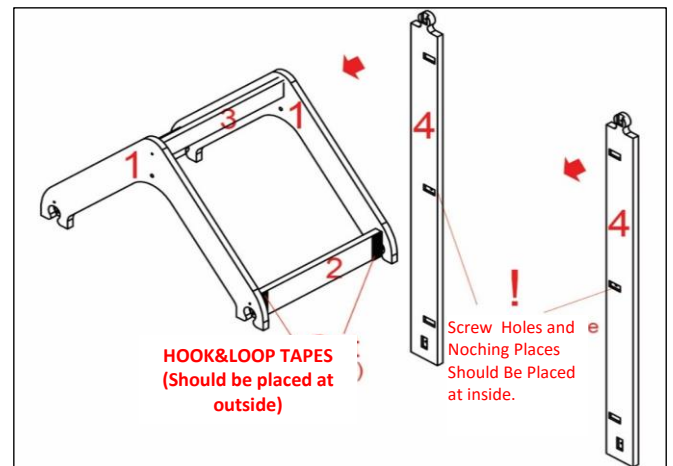
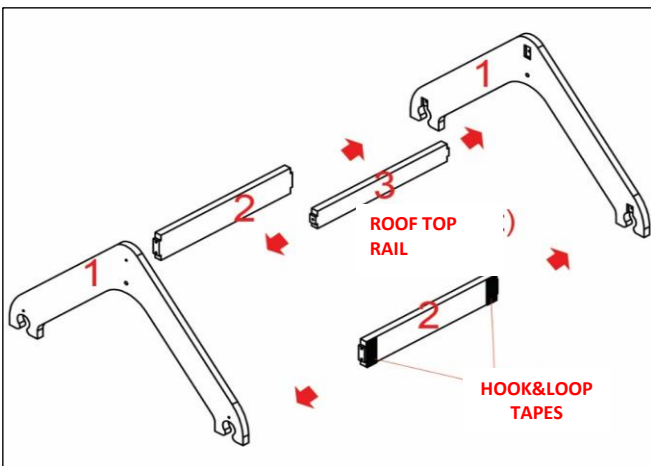
PZ 2

IMPORTANT NOTE: PLEASE HALF TIGHT THE SCREWS DURING THE ASSEMBLY. AFTER FINISHING THE ASSEMBLY FULLY TIGHT THE SCREWS

ASSEMBLY STEPS

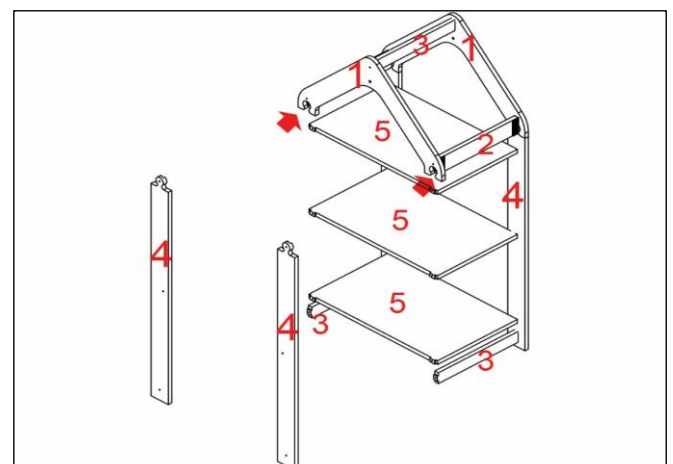
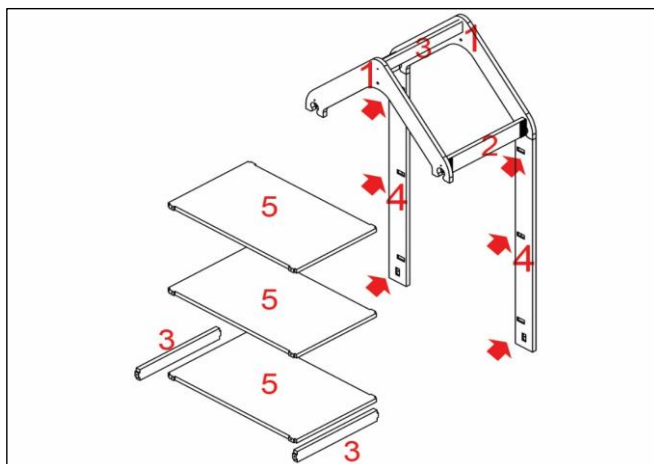
FIRSTLY PLEASE MOUNT THE ROOF MID RAILS(CODE:2) AND ROOF TOP RAIL(CODE:3) INTO THE ROOF NOTCHES(CODE:1).AND THEN TIGHTEN THE SCREWS.(Roof Mid Rails (code:2) have hook&loop tapes.)

THEN PLEASE GENTLY MOUNT THE SIDE STRUTS(CODE:4) INTO THE ROOF NOTCHES(CODE:1).AND TIGHTEN THE SCREWS.



PLEASE PASS ON THE OTHER SIDE, PLACE THE SHELVES(CODE:5) AND BOTTOM RAILS(CODE:3 WITHOUT HOOK & LOOP TAPES) INTO THE SIDE STRUTS' NOTCHES(CODE:4:) AND THEN TIGHTEN THE SCREWS.

PLEASE PLACE THE LAST TWO SIDE STRUTS(CODE:4) INTO THE ROOF NOTCHES(CODE:1)



MULTI-PURPOSE SHELF / 3 SHELVED

IMPORTANT NOTE: Please mount the roof mid rails'(code:2) hook&loop tapes facing outside.

IMPORTANT NOTE:Fabric covering can be washable at 30 degrees in the washing machine. Only soap powder is recommended to use the fabric for a longer life. Spin program can not be applied to the fabric washed in the machine and wrinkles are straighten by damp ironing.

IMPORTANT NOTE: If requested, the product can be fixed on the wall by using the hole opened on the upper part of the roof.

AFTER THE ASSEMBLY IS COMPLETED, THE VIEW OF THE 3 SHELVED MULTI-PURPOSED SHELF SHOULD BE SEEMED AS IN BELOW.

FASTEN THE ROOF FABRIC FROM THE HOOK&LOOP TAPE PLACED ONTO THE ROOF MID RAILS.

