

PLAYHOUSE

**ASSEMBLY
INSTRUCTIONS**

CONTENTS

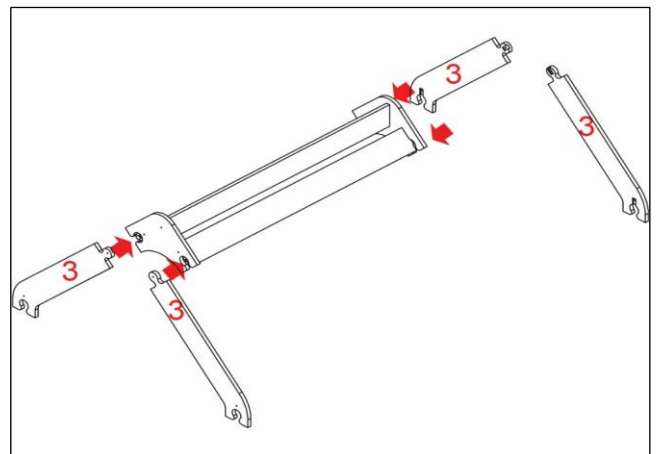
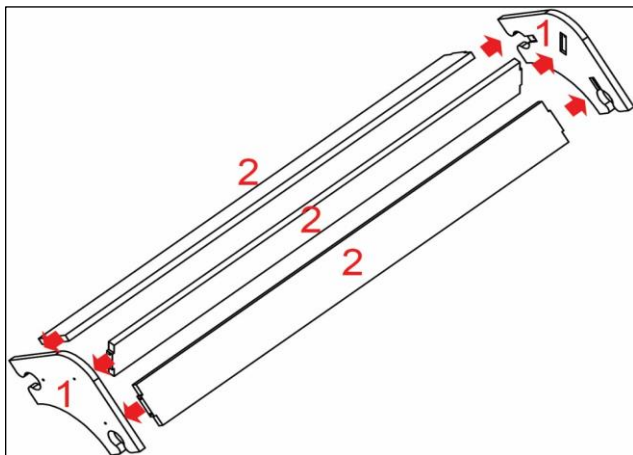
Code	Base Name	Qty	
1	Roof Top	2	<p>PLEASE USE CORDLESS DRILL FOR EASY INSTALLATION.</p>  <p>SPAX-M</p> <p>PZ 2</p>
2	Roof Intermediate Part (without Velcro fastener)	3	
3	Roof side elements	4	
4	Bottom Roof Part with Velcro fastener	4	
5	House Pillars	4	
6	Montage Screw	28	

***ATTENTION: SCREWS AND PARTS NEED TO BE FULLY TIGHTEN AFTER ASSEMBLY!**

INSTALLATION STEPS

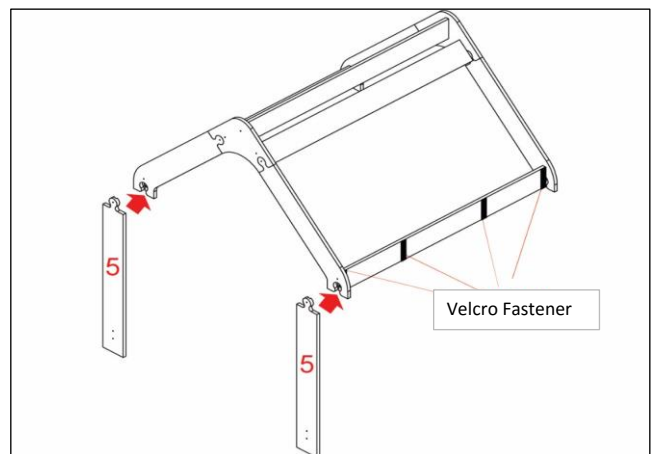
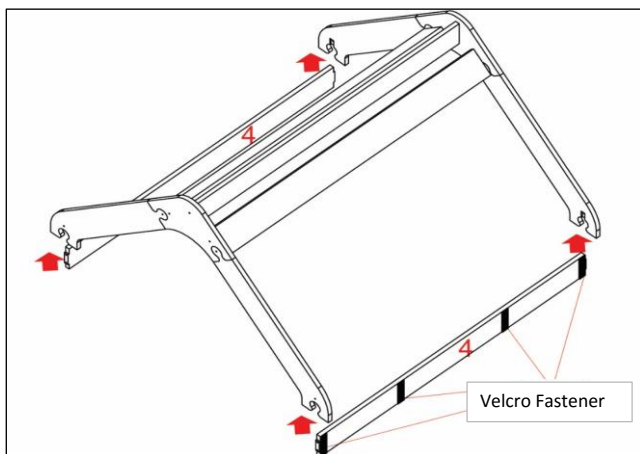
FIRST, PLEASE TAKE CODE 1 AND CONNECT ROOF INTERMEDIATE PARTS WITH THE FITTING ON THE ROOF TOP UNIT IT SETTLED INSIDE SAFTLY (Roof Intermediate Parts are without Velcro fastener)

AFTERWARDS FITTING CODE 3 ROOF SIDE ELEMENTS LATSCHES ON THE FRONT SURFACE OF THE ROOF TOP AND INSTALL IT PRECISELY.



INSTALL CODE 4 BOTTOM ROOF PART WITH CODE 3 ROOF SIDE ELEMENTS GENTLY FROM THE BOTTOM.
(On Code 4 Velcro fastener must facing outwards)

CODE 5 HOUSE PILLARS NEED TO BE ATTACHED PRECISELY TO ROOF SIDES OF THE PLAYHOUSE.



Have a look at the backpage

PLAYHOUSE

minera®

Wish it. Imagine It. Create It.

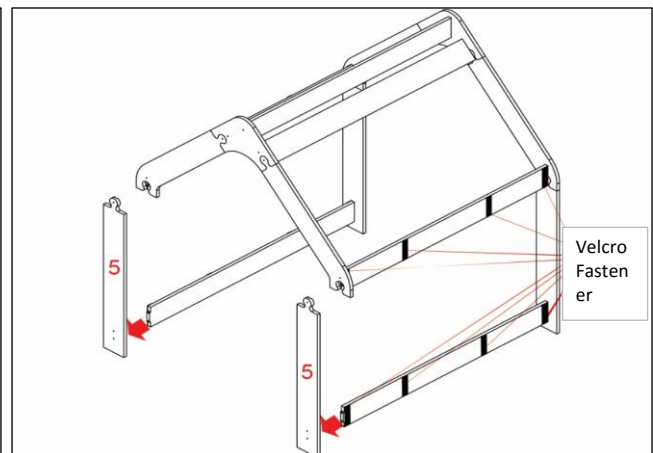
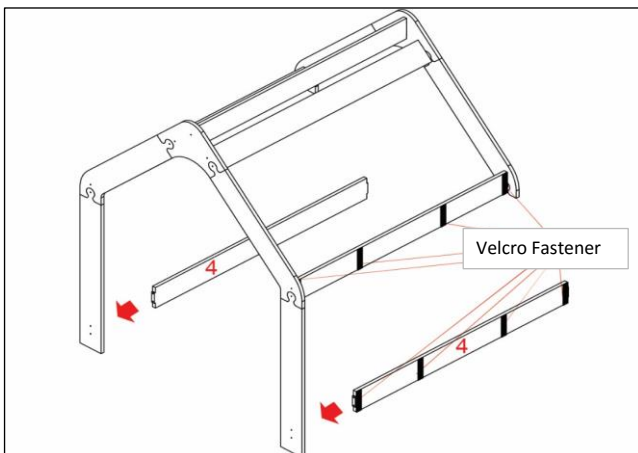
ATTENTION: CODE 4 Bottom Roof Parts need to be installed with facing outwards Velcro fastener.

ATTENTION: Cloth covers can be washed in washing machine at 30 degrees. Only soap powder is recommended to use the fabric for a longer life. Spinning program is not applied to the fabric washed in the machine and wrinkles are smoothed by ironing it moist.

ATTENTION: It is not recommended to do frequent disassembly and assembly work in the playhouse. After a certain time, loosening and elasticity can be seen from the screw places.

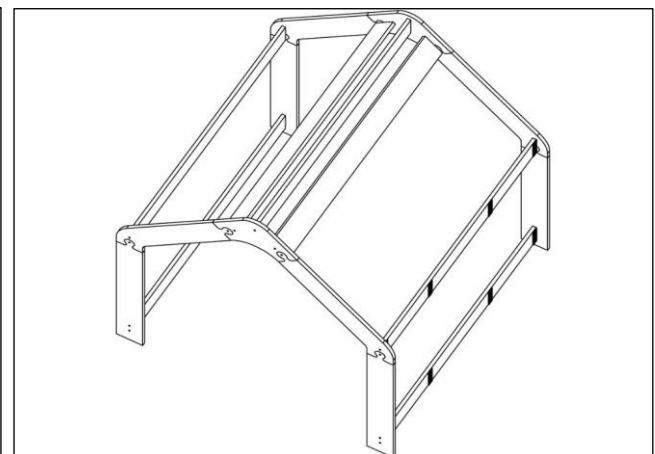
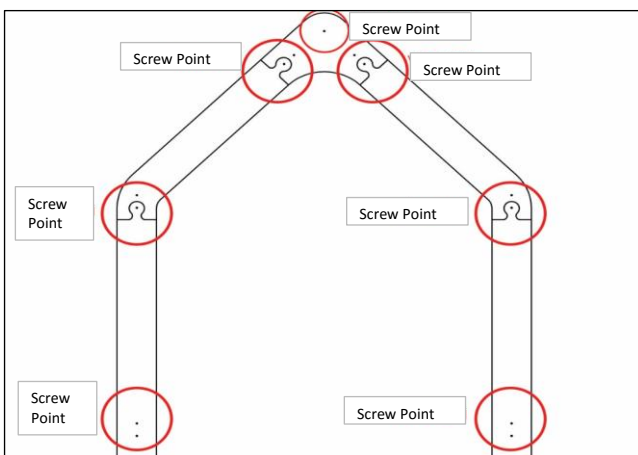
CODE 4 BOTTOM ROOF PARTS NEED TO BE INSTALLED TO THE GIVEN SLOT ON THE HOUSE PILLARS . Velcro fastener must facing outwards.

CODE 5 HOUSE PILLARS NEED TO BE ATTACHED PRECISELY TO ROOF SIDES OF THE PLAYHOUSE AND TIGHTEN THE SCREWS.



A TOTAL OF 26 SCREWS WILL BE TIGHTENED, 13 SCREWS ON FRONT AND 13 SCREWS ON THE BACK MUST BE SECURED.

THE COMPLETED INSTALLATION OF THE PLAYHOUSE IS BELOW SHOWN.



Have a look at the frontpage

PLAYHOUSE

CONTENTS

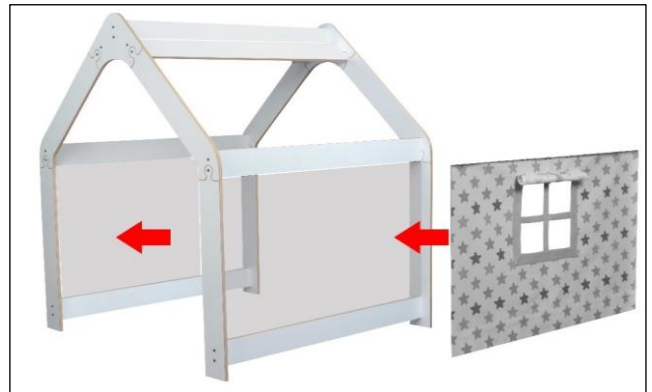
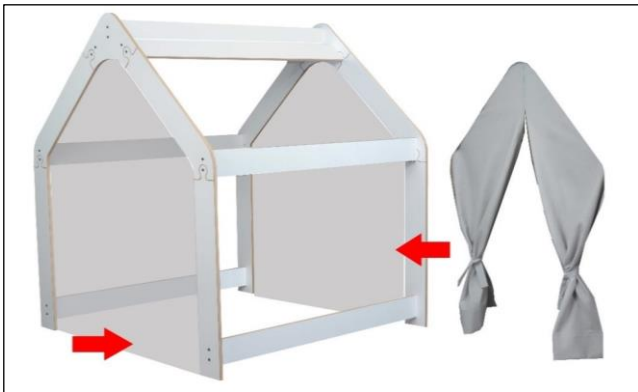
Code	Base Name	Qty
1	Roof Cover	1
2	Side Covers (with Windows)	2
3	Curtains	2

FABRIC ASSEMBLY

INSTALLATION STEPS

1- First, attach the curtains from their roofs to align them on the roofs on the front and rear interior surfaces.

2- Afterwards, attach the side covers to Velcro fastener on the bottom roof parts.



3- At the latest take the roof cover and attached them to the Velcro fastener on the bottom roof parts as well.

4- THE PLAYING HOUSE IS FINISHED WITH ALL THE FABRIC COVERED AS BELOW SHOWN.

