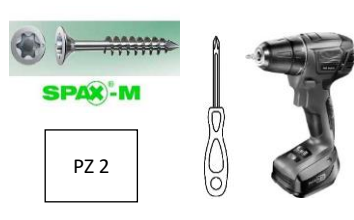


PLAYHOUSE

ASSEMBLY INSTRUCTIONS

CONTENTS

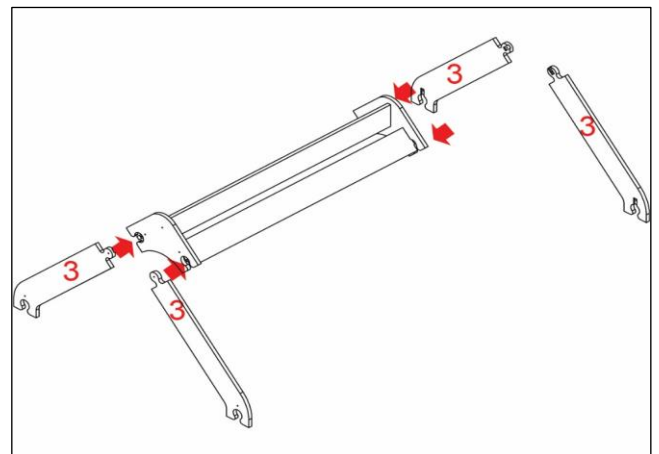
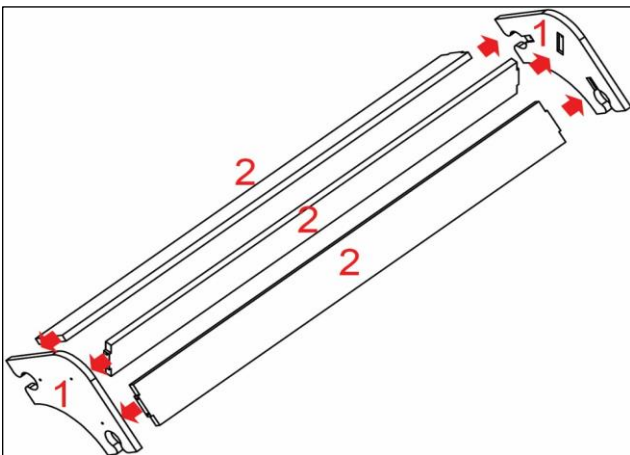
Code	Base Name	Qty	
1	Roof Top	2	PLEASE USE CORDLESS DRILL FOR EASY INSTALLATION. 
2	Roof Intermediate Part (without Velcro fastener)	3	
3	Roof side elements	4	
4	Bottom Roof Part with Velcro fastener	4	
5	House Pillars	4	
6	Montage Screw	28	

***ATTENTION: SCREWS AND PARTS NEED TO BE FULLY TIGHTEN AFTER ASSEMBLY!**

INSTALLATION STEPS

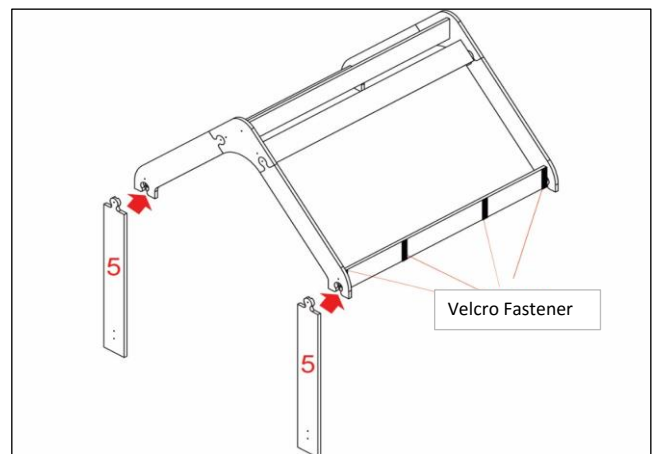
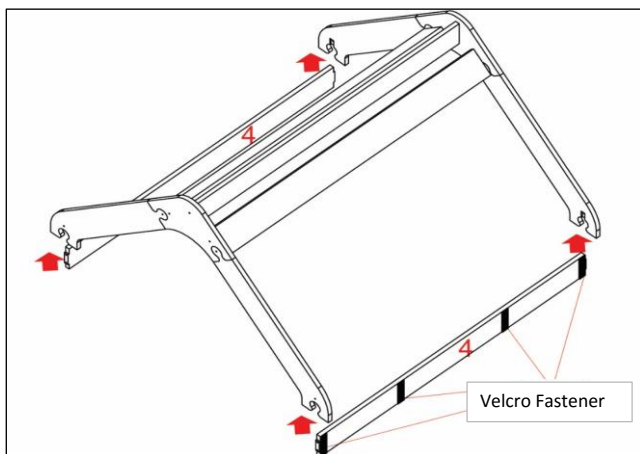
FIRST, PLEASE TAKE CODE 1 AND CONNECT ROOF INTERMEDIATE PARTS WITH THE FITTING ON THE ROOF TOP UNIT IT SETTLED INSIDE SAFTLY (Roof Intermediate Parts are without Velcro fastener)

AFTERWARDS FITTING CODE 3 ROOF SIDE ELEMENTS LATSCHES ON THE FRONT SURFACE OF THE ROOF TOP AND INSTALL IT PRECISELY.



INSTALL CODE 4 BOTTOM ROOF PART WITH CODE 3 ROOF SIDE ELEMENTS GENTLY FROM THE BOTTOM.
(On Code 4 Velcro fastener must facing outwards)

CODE 5 HOUSE PILLARS NEED TO BE ATTACHED PRECISELY TO ROOF SIDES OF THE PLAYHOUSE.



Have a look at the backpage

PLAYHOUSE

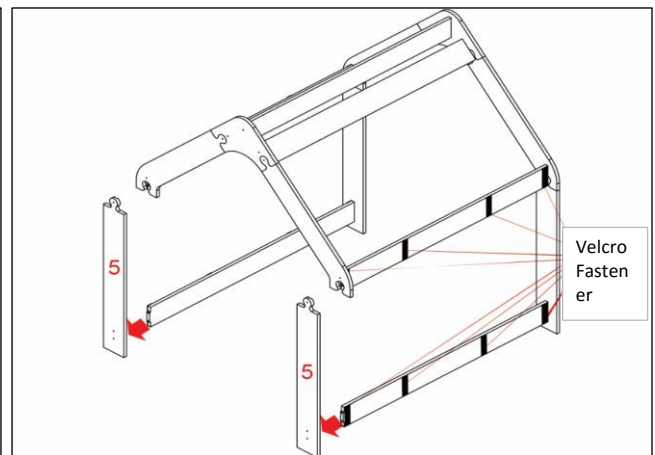
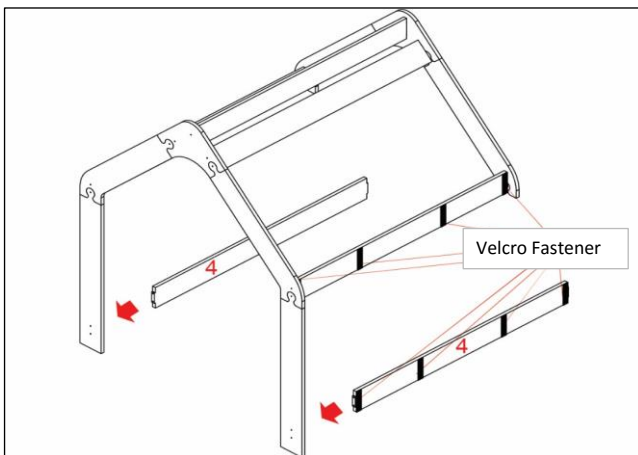
ATTENTION: CODE 4 Bottom Roof Parts need to be installed with facing outwards Velcro fastener.

ATTENTION: Cloth covers can be washed in washing machine at 30 degrees. Only soap powder is recommended to use the fabric for a longer life. Spinning program is not applied to the fabric washed in the machine and wrinkles are smoothed by ironing it moist.

ATTENTION: It is not recommended to do frequent disassembly and assembly work in the playhouse. After a certain time, loosening and elasticity can be seen from the screw places.

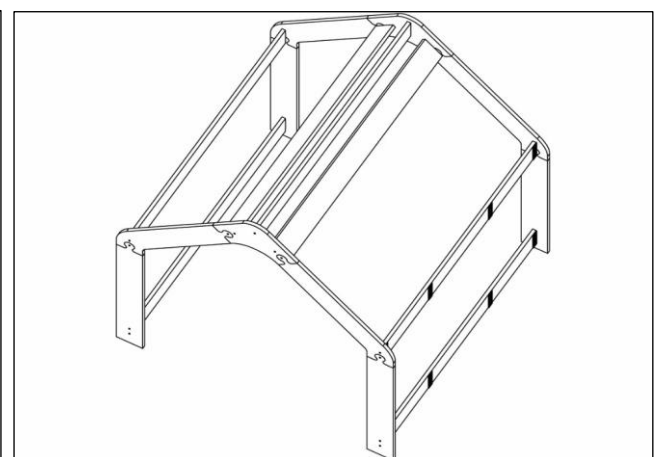
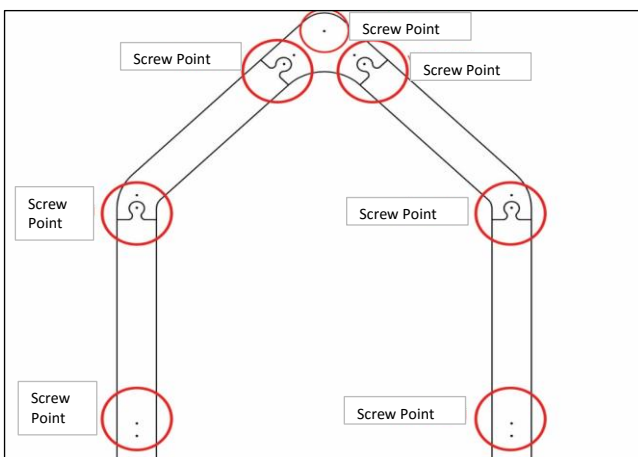
CODE 4 BOTTOM ROOF PARTS NEED TO BE INSTALLED TO THE GIVEN SLOT ON THE HOUSE PILLARS . Velcro fastener must facing outwards.

CODE 5 HOUSE PILLARS NEED TO BE ATTACHED PRECISELY TO ROOF SIDES OF THE PLAYHOUSE AND TIGHTEN THE SCREWS.



A TOTAL OF 26 SCREWS WILL BE TIGHTENED, 13 SCREWS ON FRONT AND 13 SCREWS ON THE BACK MUST BE SECURED.

THE COMPLETED INSTALLATION OF THE PLAYHOUSE IS BELOW SHOWN.



PLAYHOUSE

CONTENTS

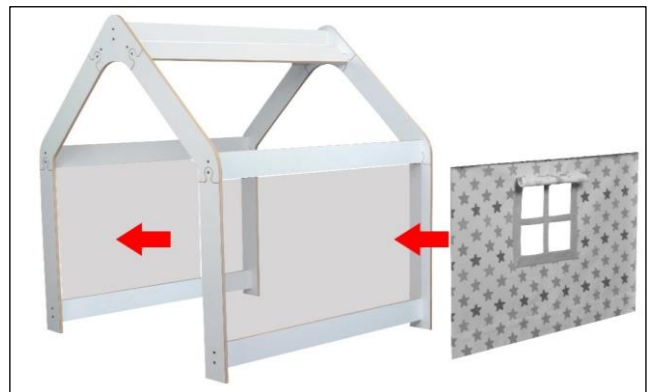
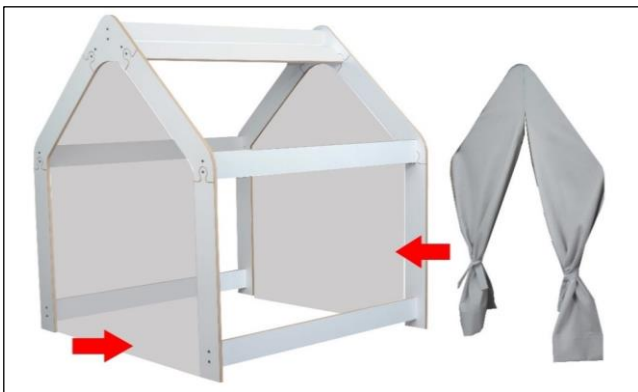
Code	Base Name	Qty
1	Roof Cover	1
2	Side Covers (with Windows)	2
3	Curtains	2

FABRIC ASSEMBLY

INSTALLATION STEPS

1- First, attach the curtains from their roofs to align them on the roofs on the front and rear interior surfaces.

2- Afterwards, attach the side covers to Velcro fastener on the bottom roof parts.



3- At the latest take the roof cover and attached them to the Velcro fastener on the bottom roof parts as well.

4- THE PLAYING HOUSE IS FINISHED WITH ALL THE FABRIC COVERED AS BELOW SHOWN.

