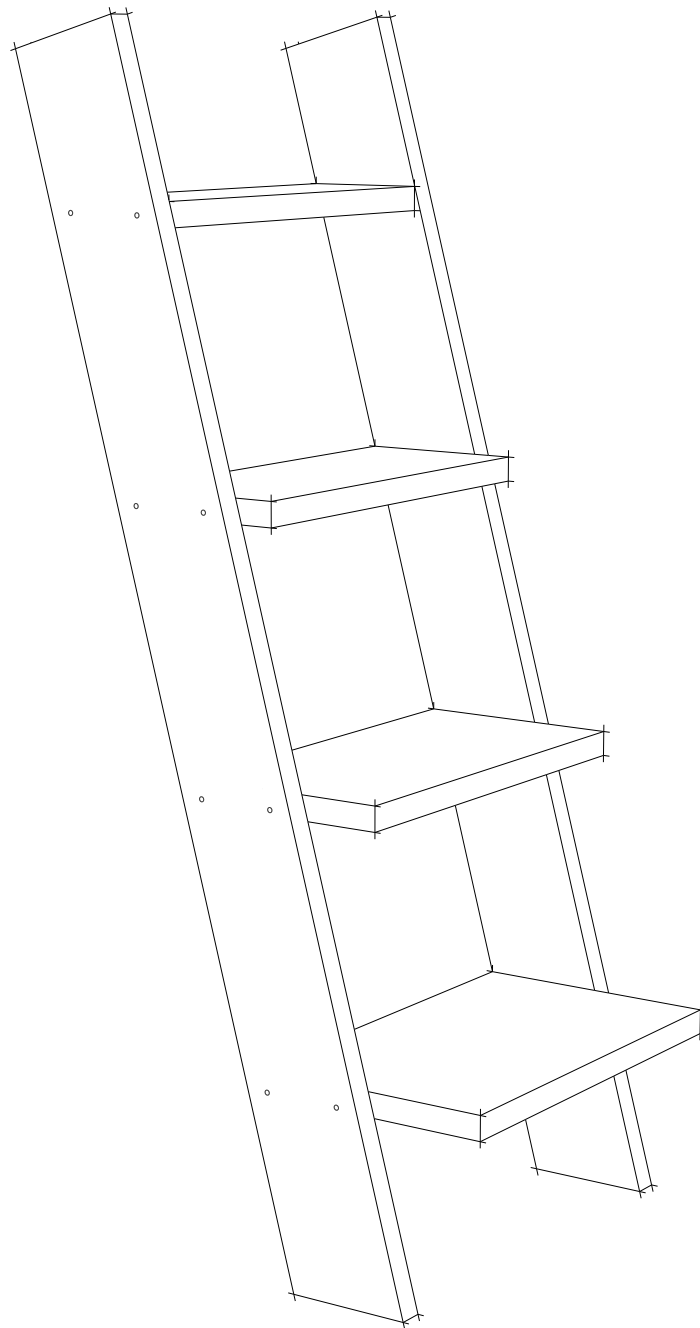


120-000467

---

ASSEMBLY MANUAL



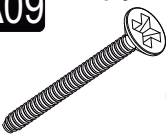



This unit should be assembled by two persons.

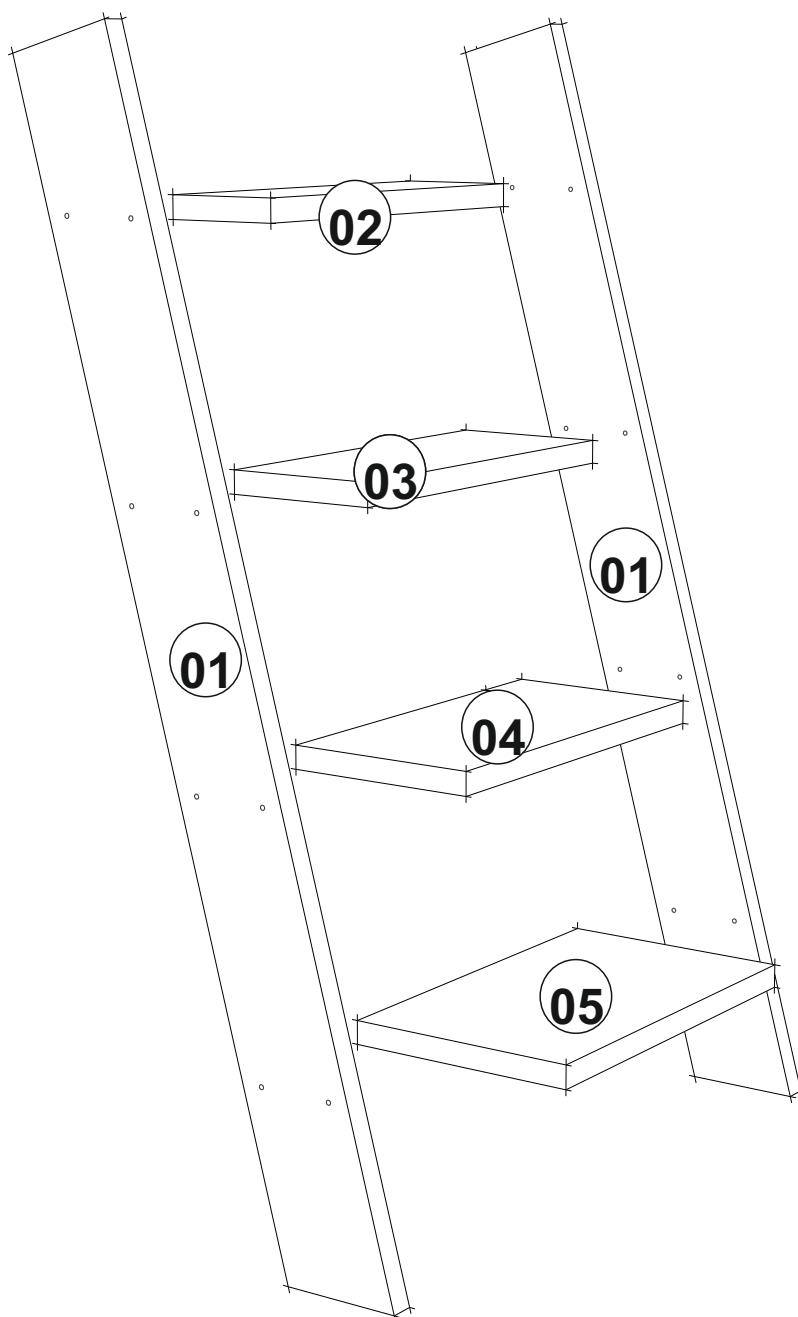


The necessary tools (not included)

## ACCESSORY LIST

<b>A09</b> 4x50  <b>16x</b>	<b>A16</b>  <b>16x</b>
---	---

## GENERAL VIEW



A09

4x50

