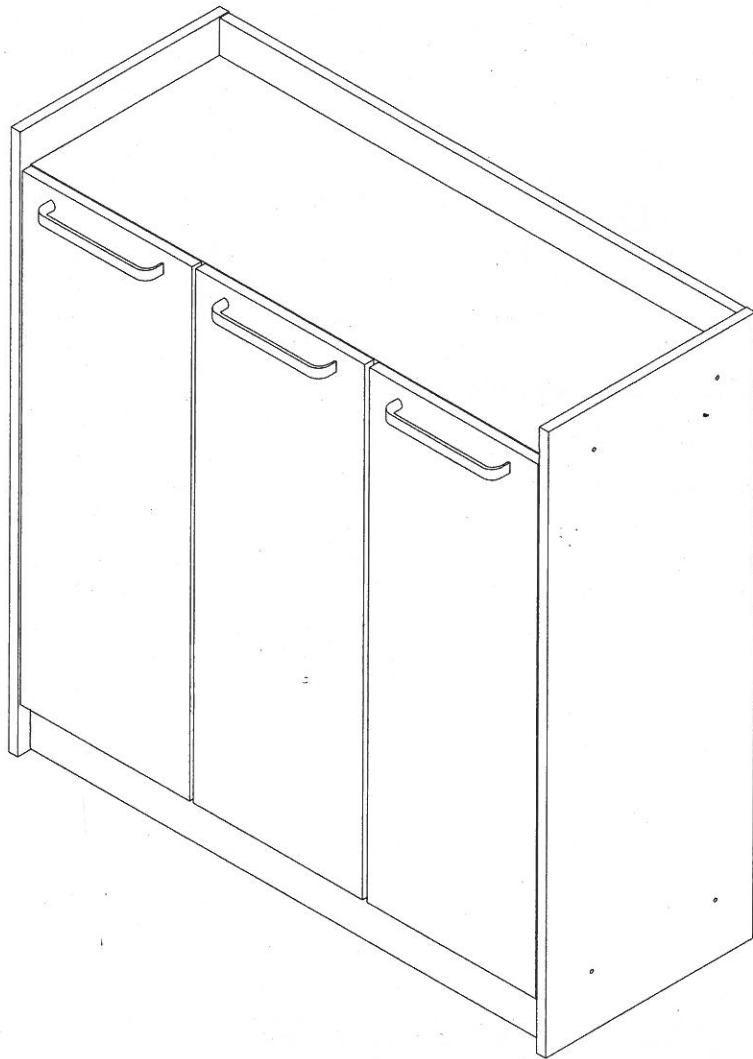


**CAUTION:**

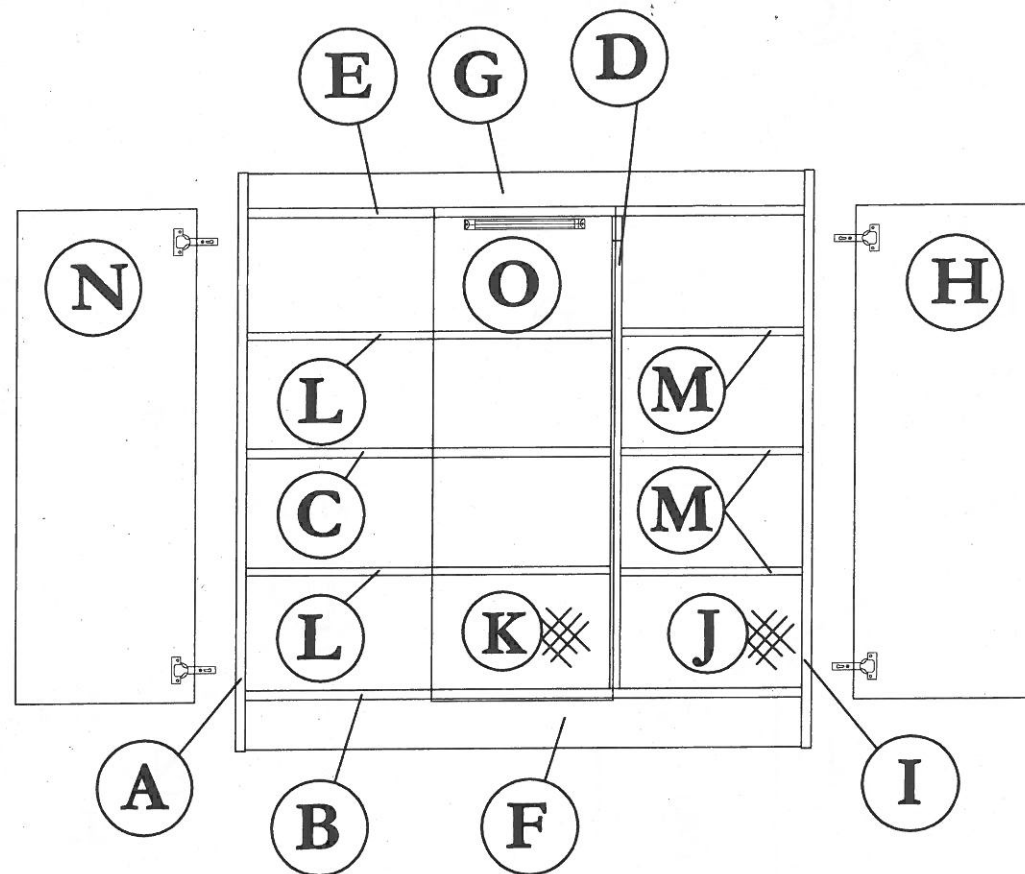
To clean use soft, dry cloth. Do not use detergent or chemicals  
 Avoid contact with water and direct sunlight.  
 To be assembled on a soft, dry, clean and smooth surface.



# COMPLETE SET

**ORDERING REPAIR PARTS**

In order to obtain smooth and rapid service when ordering repair parts, please give full attention to the following of PART NUMBER.



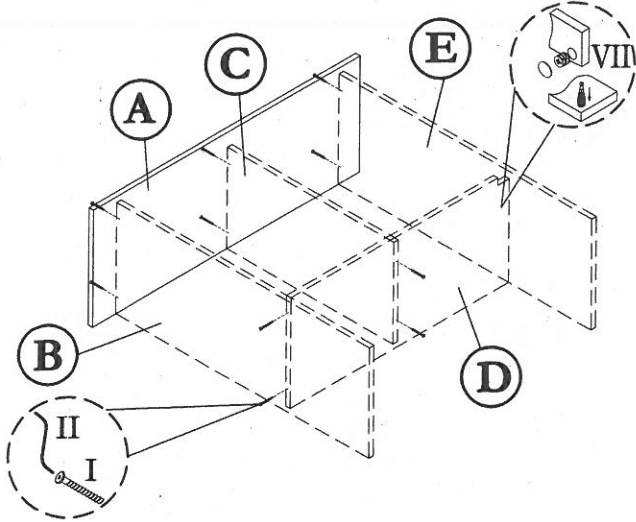
NO	DESCRIPTION	QTY
A	LEFT SIDE	01
B	LOWER SHELF	01
C	CENTRE SHELF	01
D	CENTRE VERTICAL	01
E	UPPER SHELF	01
F	LEG	02
G	HORIZONTAL SHELF	01
H	RIGHT SIDE DOOR	01
I	RIGHT SIDE	01

NO	DESCRIPTION	QTY
J	BACK (Right)	01
K	BACK (Left)	02
L	MOVABLE SHELF	02
M	MOVABLE SHELF	03
N	LEFT SIDE DOOR	01
O	CENTRE DOOR	01

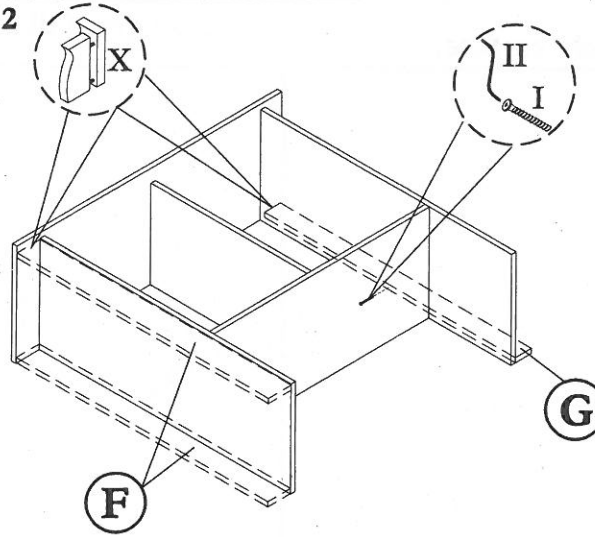
**ASSEMBLY INSTRUCTION**  
**MODEL : 7121 / SHOE RACK**

Before you begin, please follow assembly instruction carefully.  
 Then follow them step by step.

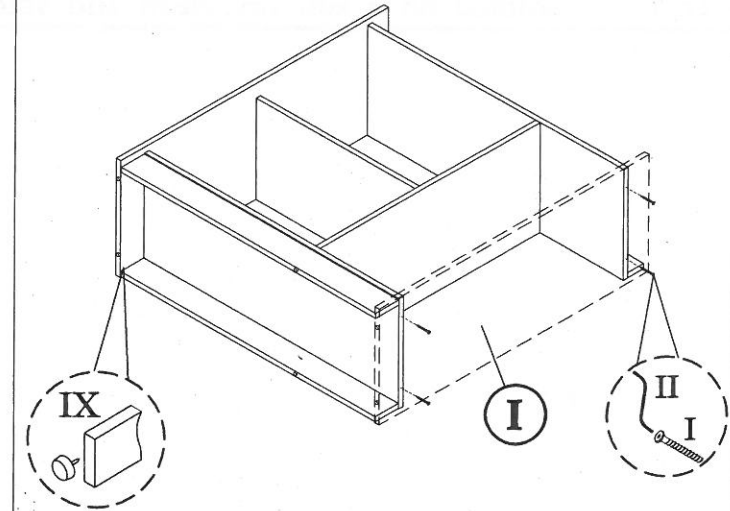
**STEP 1**



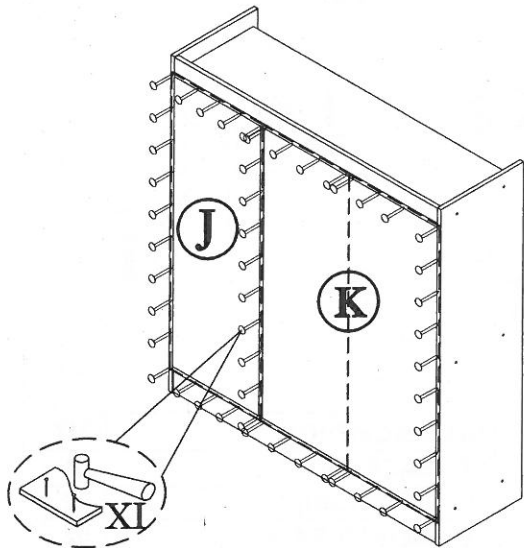
**STEP 2**



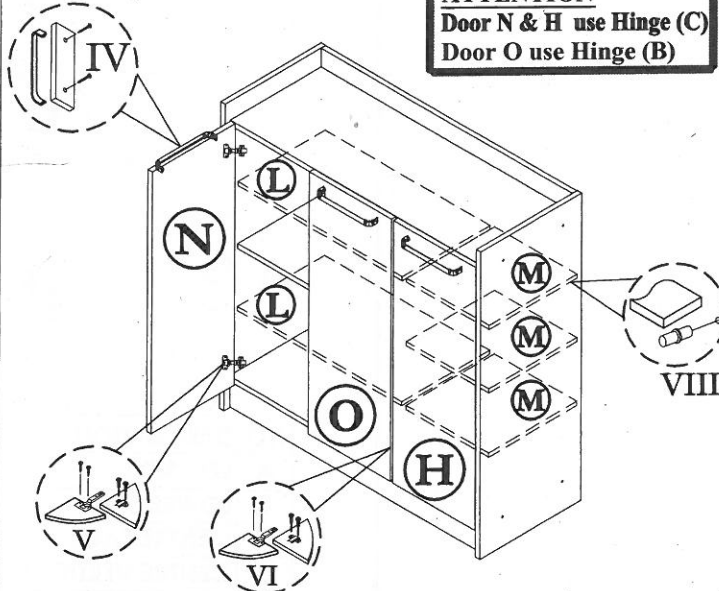
**STEP 3**



**STEP 4**

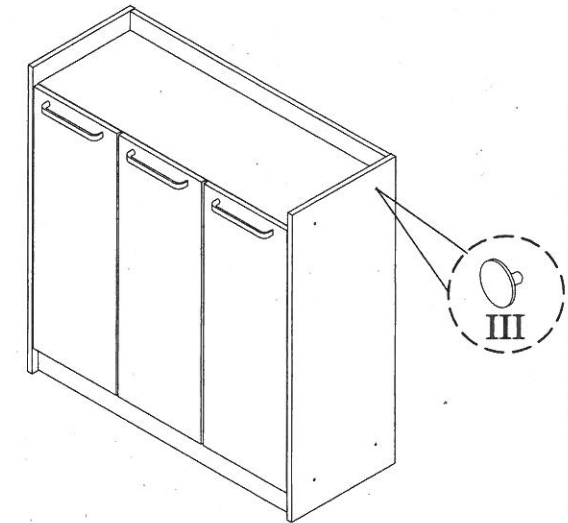


**STEP 5**



**ATTENTION**  
 Door N & H use Hinge (C)  
 Door O use Hinge (B)

**STEP 6**



HARDWARE LIST		
NO	DESCRIPTION	QTY
I	JCBCW SCREW M6 x 45	15pcs
II	M4 ALLEN KEY	1pc
III	CAP SMALL	10pcs

IV	HANDLE & SCREW M3.5 x 30	3sets
V	HINGE (C) & SCREW M3.5 x 16	4sets
VI	HINGE (B) & SCREW M3.5 x 16	2sets
VII	Q-FIT	2sets
VIII	SHELF SUPPORT	20pcs

IX	PVC NAIL WITH PIN	6pcs
X	M8 x 30 PLASTIC DOWEL	12pcs
XI	NAIL	60pcs