

Dear Customer,

We design and produce our product for people to love and have fun with them as we do.

The product you bought was subjected to all sorts of tests and control before sending out to you.

Before start assembling, please check the whole components and accessories according to the lists. If you bought more than one product, to prevent confusion be sure that you completed the first product. Then start the other product's assembling.

Before start assembling, please clean all the components with a damp cloth. Also for usual cleaning, this will be enough.

Although all the products are produced and packed carefully, sometimes happen that some component is damaged during the transportation. In such a case please check the missing or damaged part and do not hesitate to contact us.

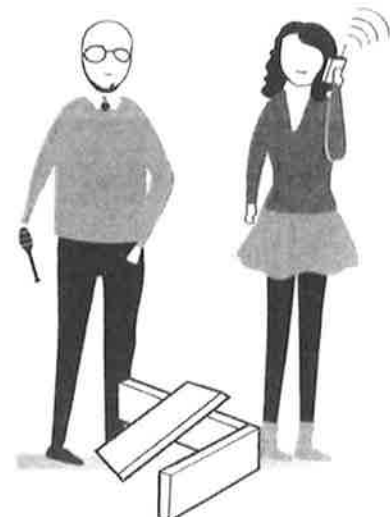
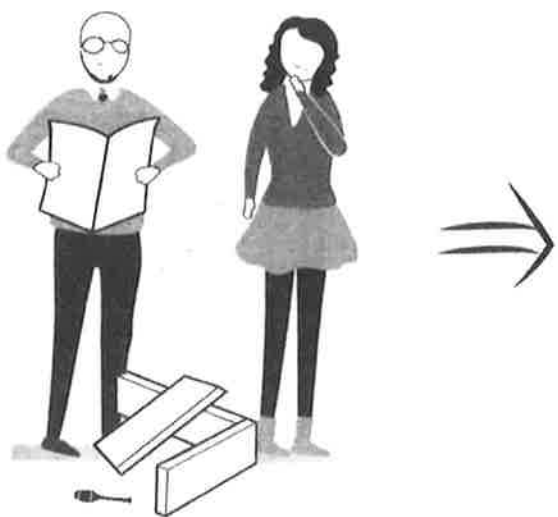
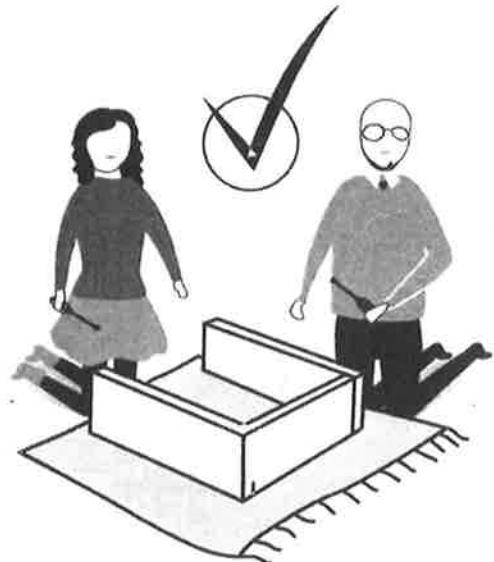
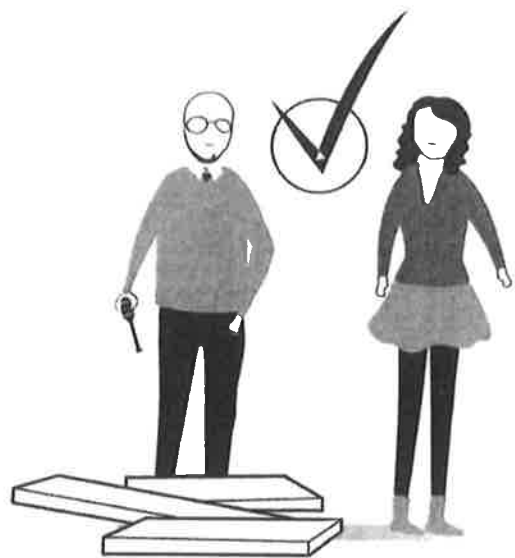
Do not use furniture for other purposes. If you would like to use it, please contact us for further questions.

Do not directly contact your furniture with excessive heat, cold and humidity because the product can be affected.















WARNING

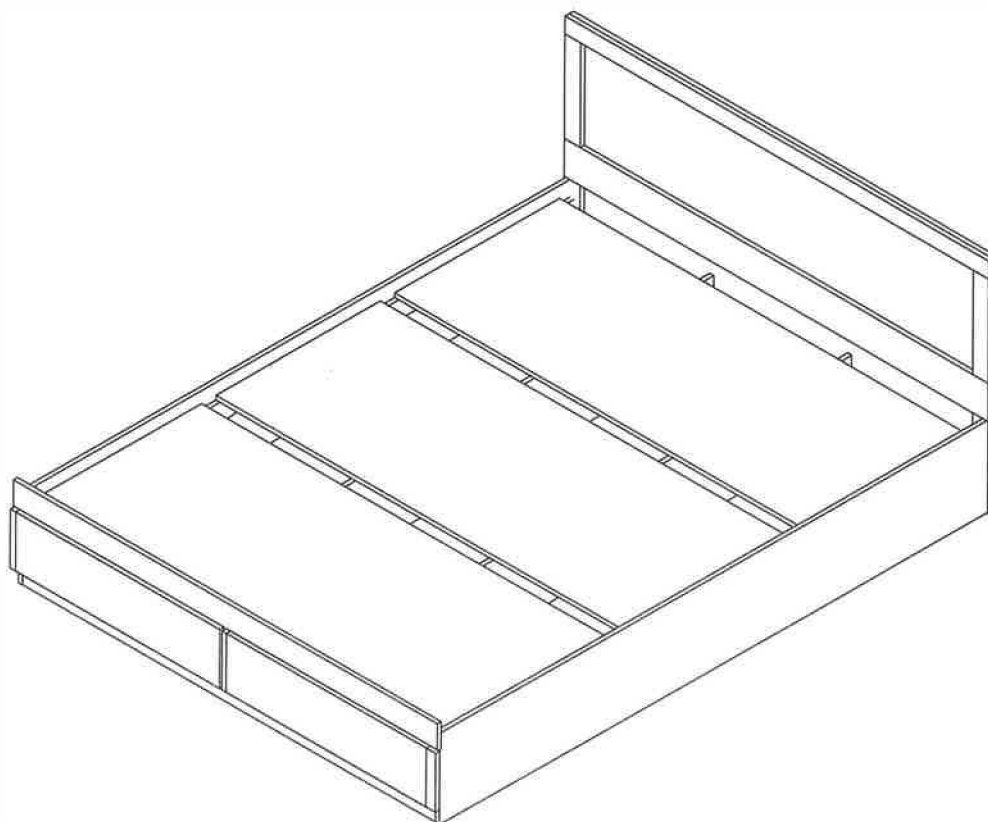
Serious or fatal crushing injuries can occur from furniture tip-over. To prevent this furniture from tipping over it must be permanently fixed to the wall with the included wall attachment devices.

Fixing devices for the wall are not included since different wall materials require different types of fixing devices. Use fixing devices suitable for the walls in your home. For advice on suitable fixing systems, contact your local specialized dealer.

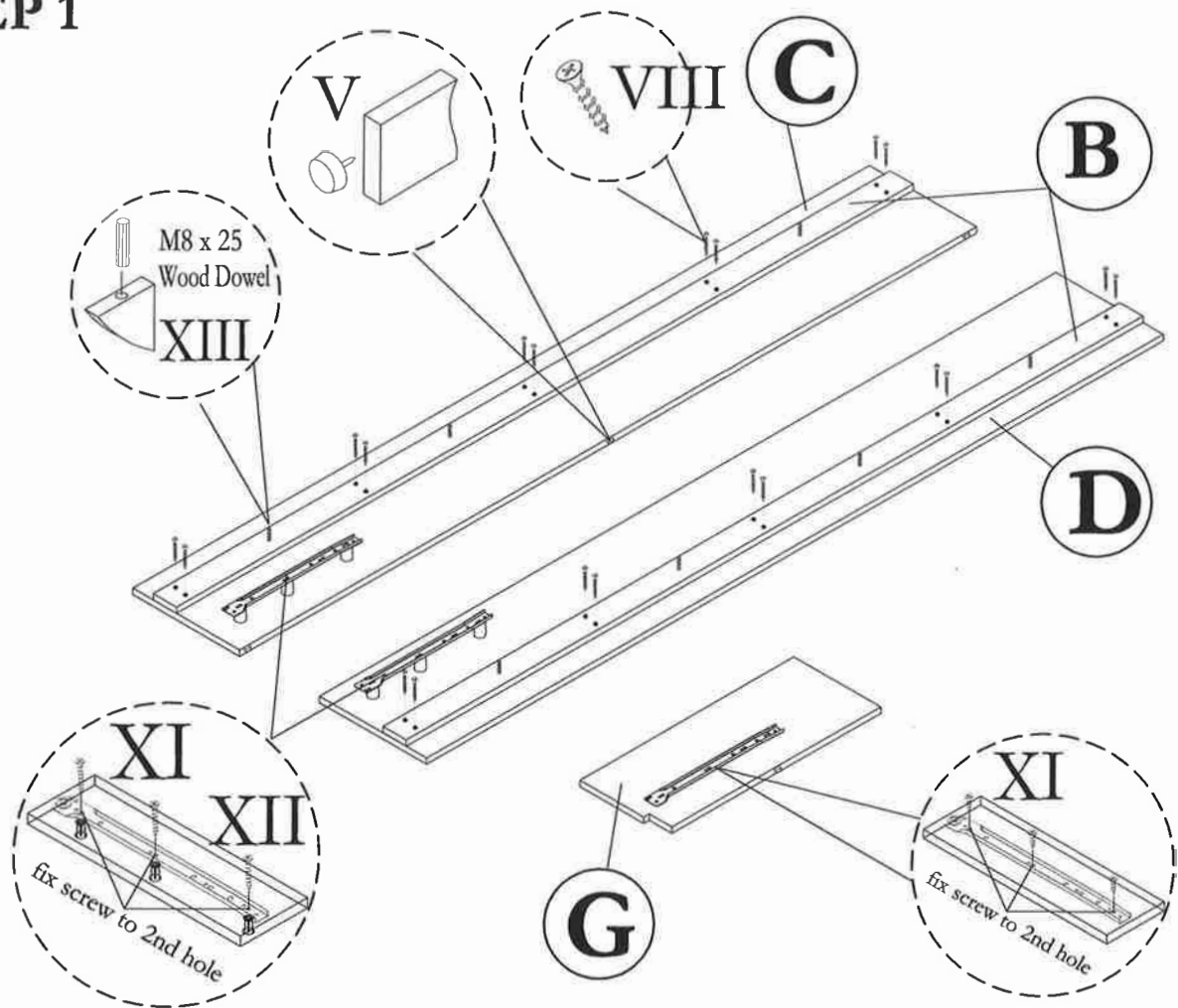


HARDWARE LIST

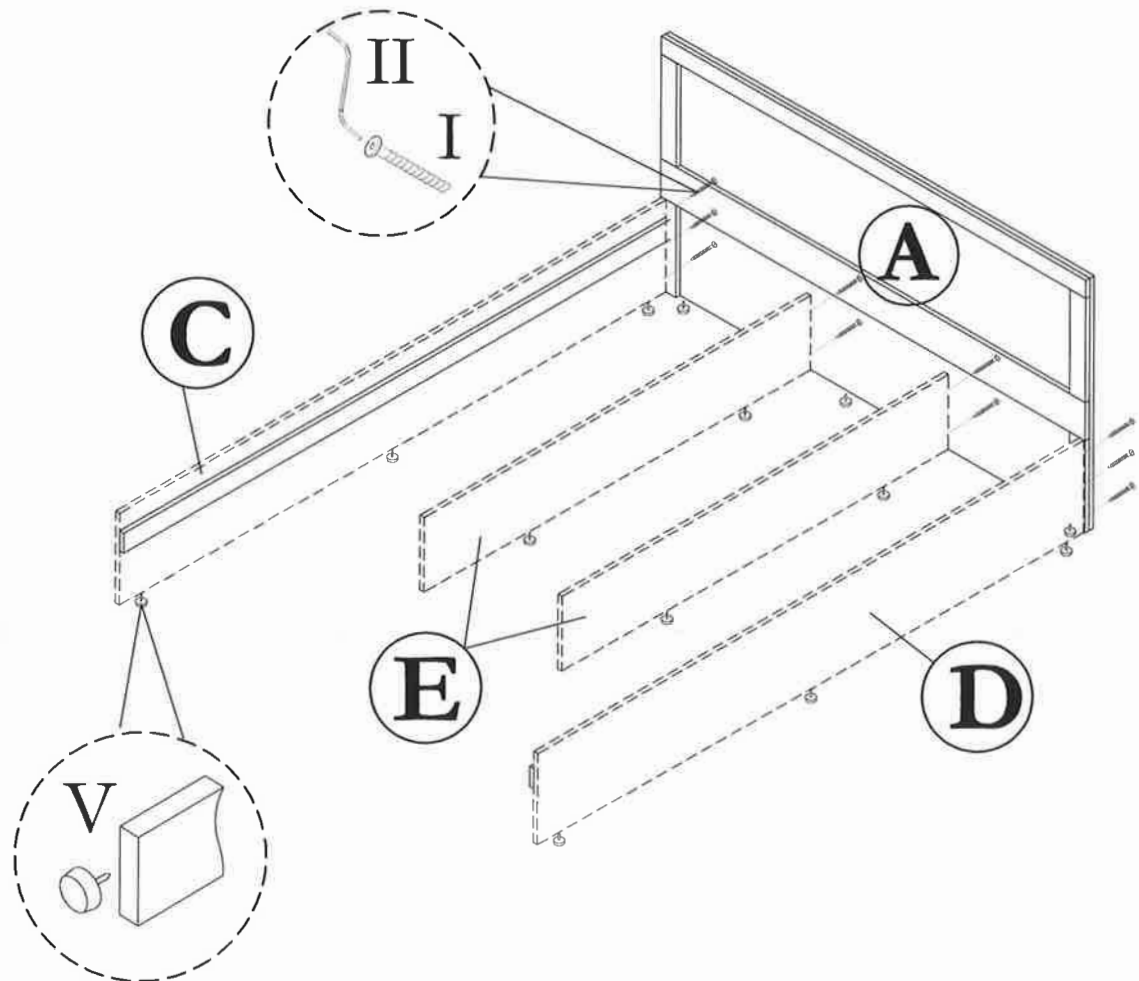
NO	DESCRIPTION		QTY
I	JCBCW SCREW M6.3 x 65		14pcs
II	M4 ALLEN KEY		1pc
III	JCBCW SCREW M6.3 x 50		14pcs
IV	M8 x 30 PLASTIC DOWEL		7pcs
V	PVC NAIL WITH PIN		20pcs
VI	Q-FIT		8sets
VII	STICKER		22pcs
VIII	M3.5 x 30 CHIPBOARD SCREW		32pcs
IX	M4 x 38 CHIPBOARD SCREW		2pcs
X	M8 x 32 CHIPBOARD SCREW		8pcs
XI	14" DRAWER SLIDER & SCREW M3.5 x 12		2sets
XII	01-15 SPACE PARTS & SCREW M3.5 x 30		2sets
XIII	M8 x 25 WOOD DOWEL		8pcs
XIV	Q-FIT(small)		2sets



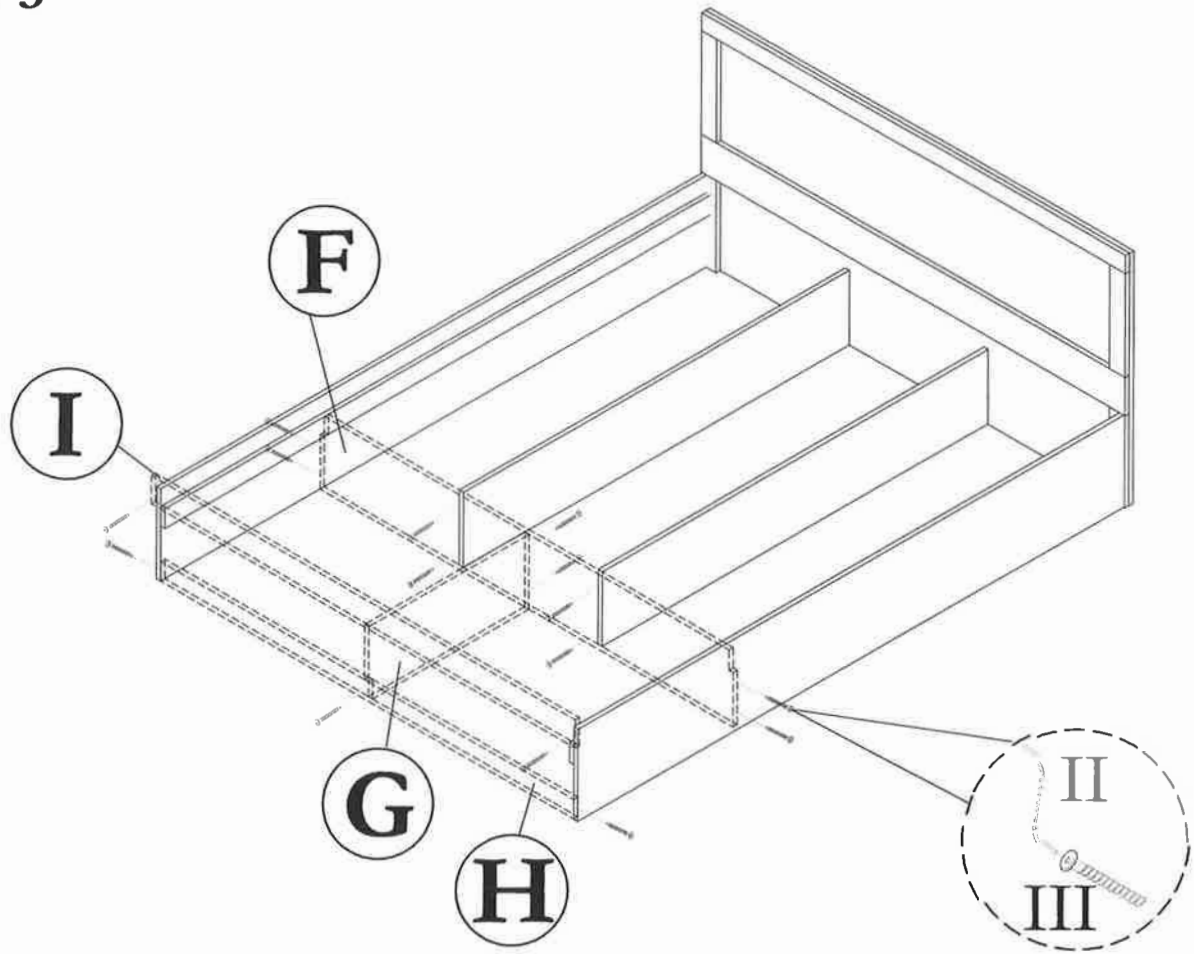
STEP 1



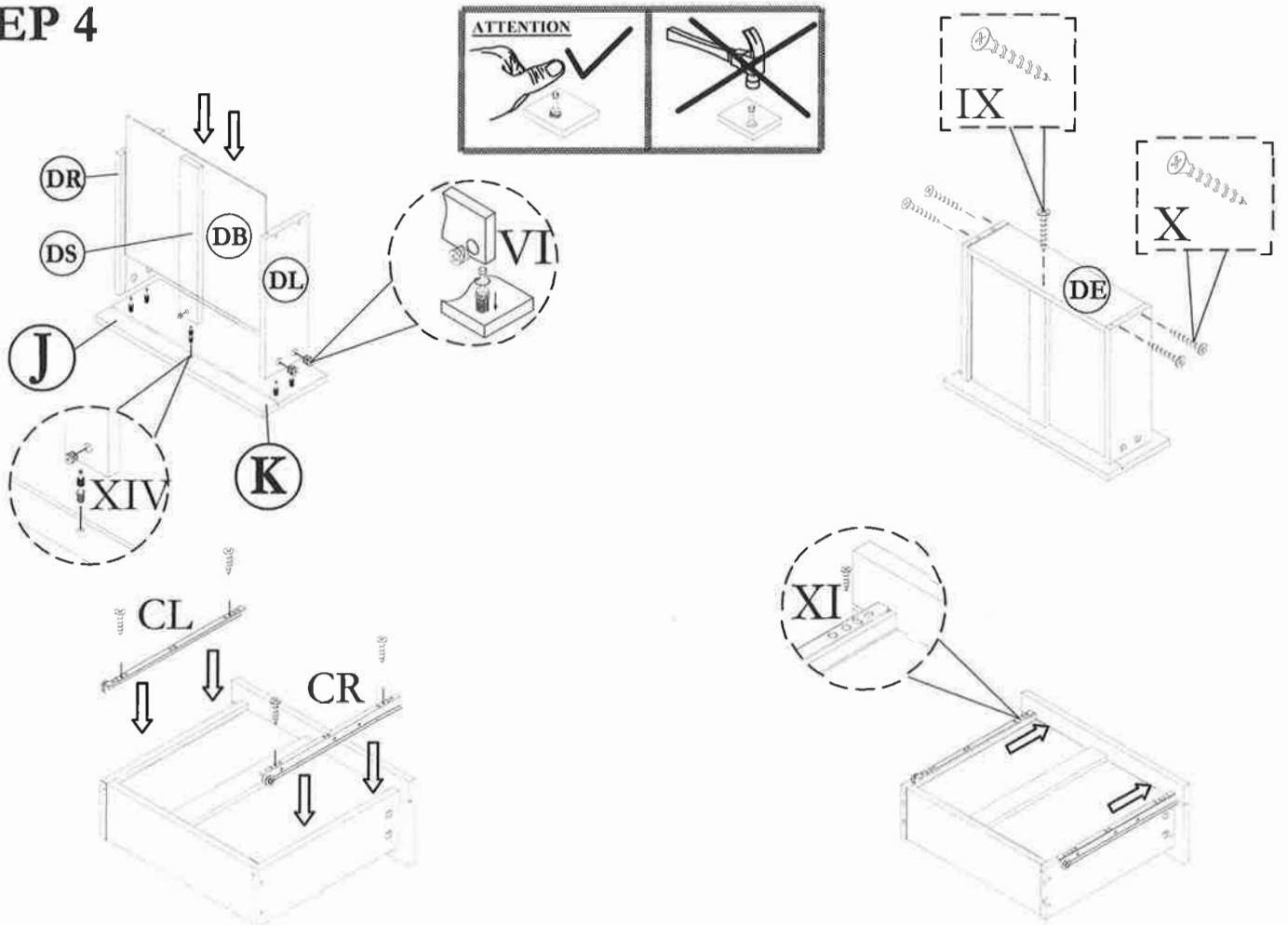
STEP 2



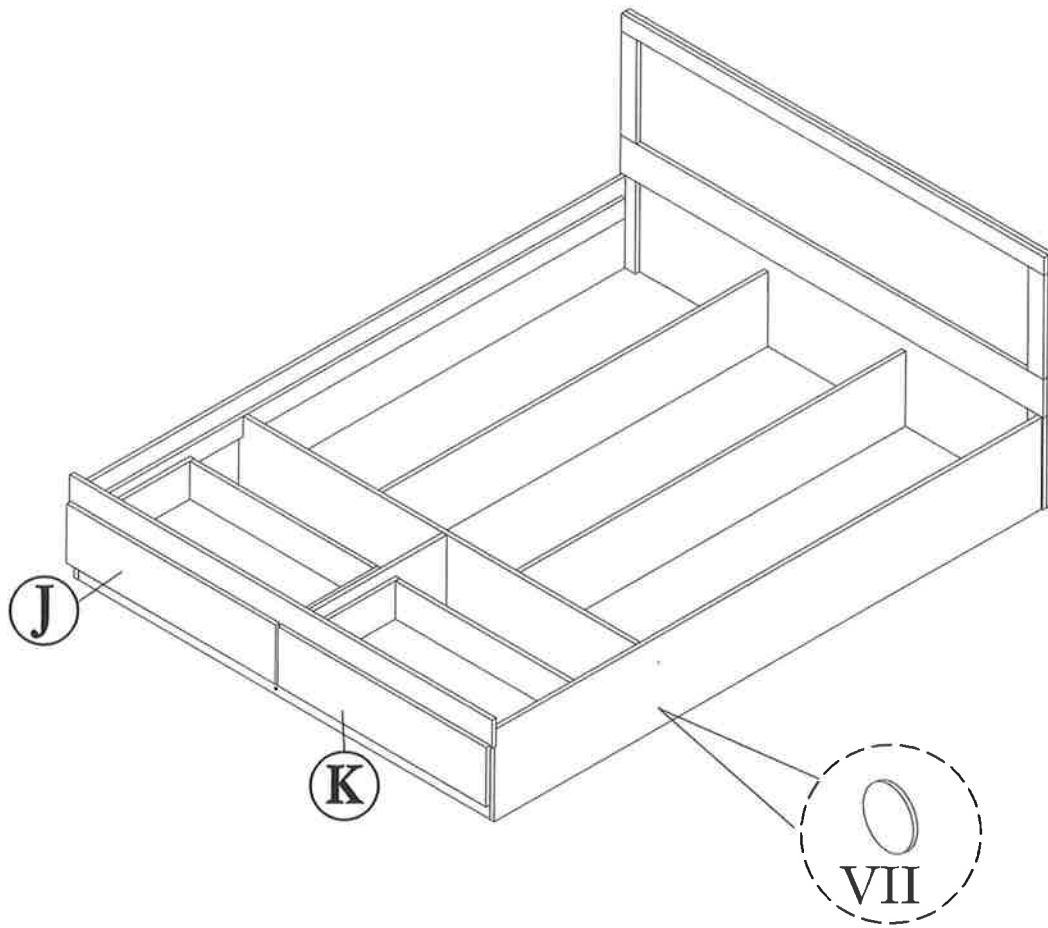
STEP 3



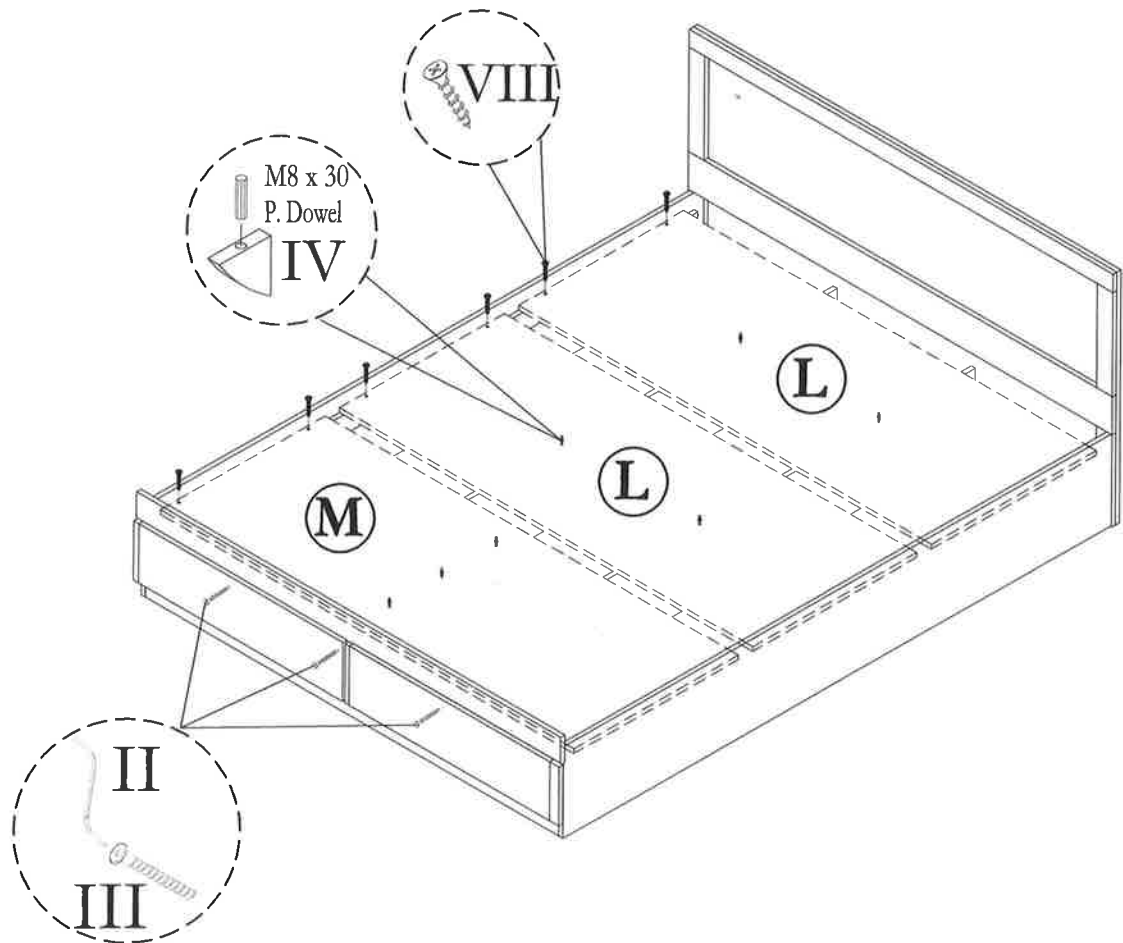
STEP 4

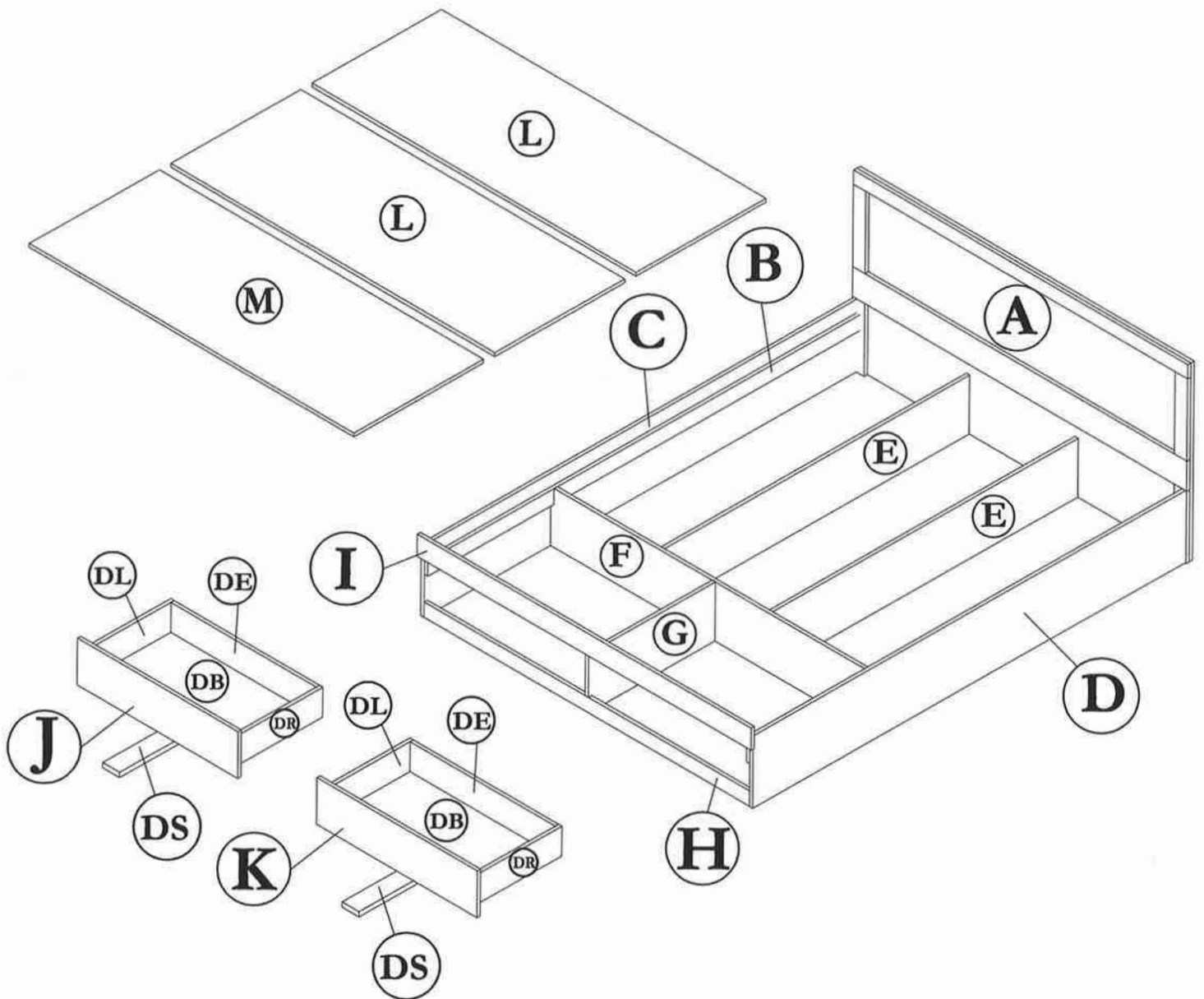


STEP 5



STEP 6





NO	DESCRIPTION	QTY
A	BACK VERTICAL	01
B	SIDE SUPPORT	02
C	LEFT SIDE	01
D	RIGHT SIDE	01
E	CENTRE VERTICAL	02
F	CENTRE VERTICAL	01

NO	DESCRIPTION	QTY
G	CENTRE VERTICAL	01
H	LEG	01
I	FRONT VERTICAL	01
J	DRAWER FACE (Left)	01
K	DRAWER FACE (Right)	01
L	DECORATIVE BOARD	02

NO	DESCRIPTION	QTY
M	DECORATIVE BOARD	01
DL	DRAWER SIDE (Left)	02
DR	DRAWER SIDE (Right)	02
DB	DRAWER BASE	02
DE	DRAWER END	02
DS	DRAWER BASE SUPPORT	02