



① x1



② x1



③ x4



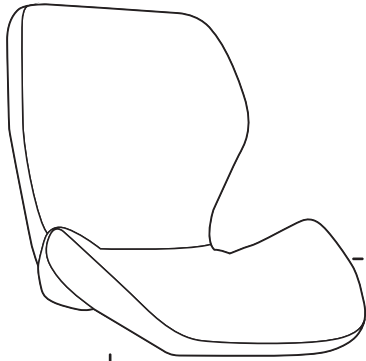
④ x4



⑤ x4



⑥ x1



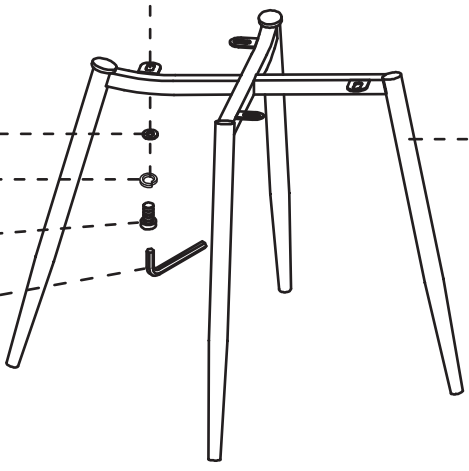
①

③

⑤

④

⑥



②

