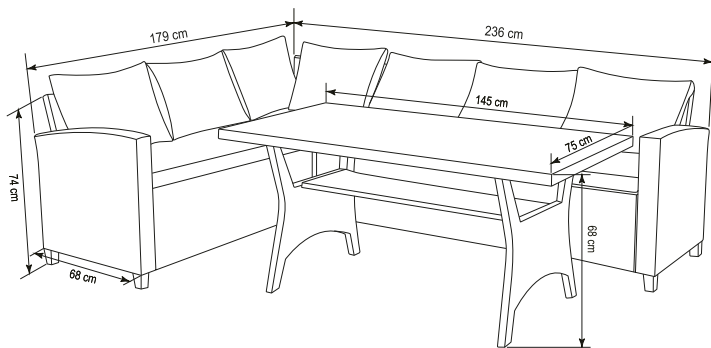
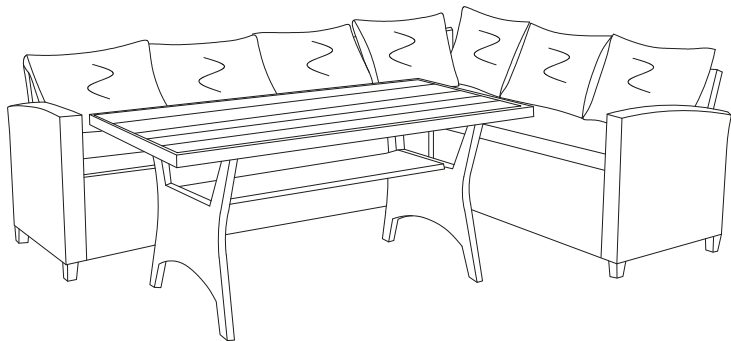
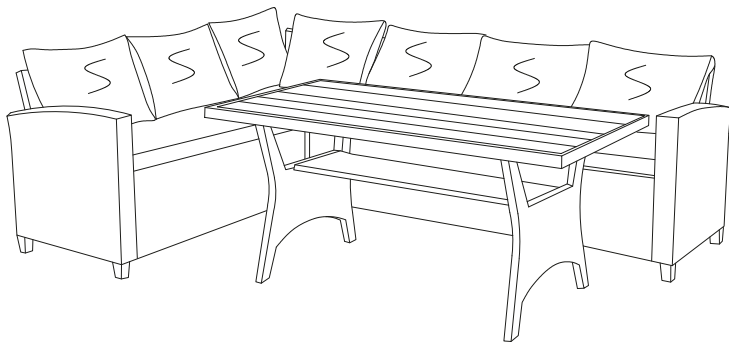









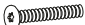






152-000061

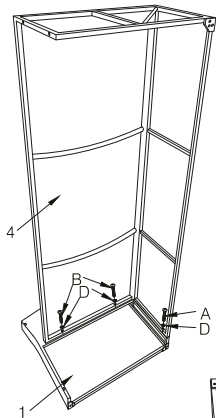


**A****B**

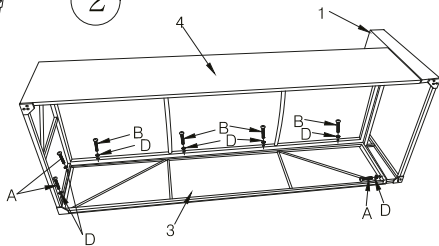
**A**

①

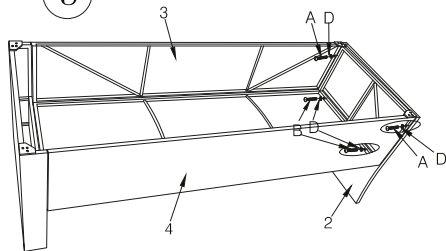
|   |  |     |
|---|--|-----|
| 1 |             | x1  |
| 2 |             | x1  |
| 3 |             | x1  |
| 4 |             | x1  |
| 5 |             | x4  |
| 6 |             | x1  |
| 7 |             | x4  |
| A |  M6*30      | x6  |
| B |  M6*35      | x8  |
| C |  M6*102     | x1  |
| H |  M6*55      | x4  |
| D |  $\phi 6.5$ | x19 |
| E |             | x1  |
| F |             | x1  |



②

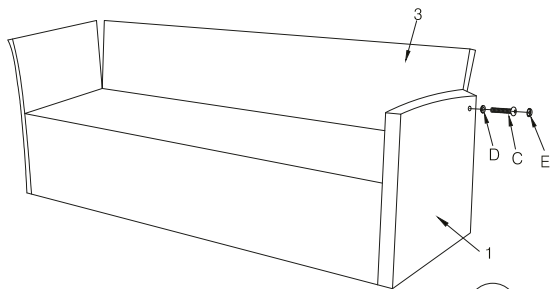


③

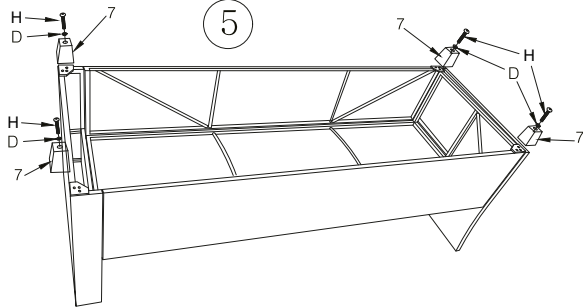


**A**

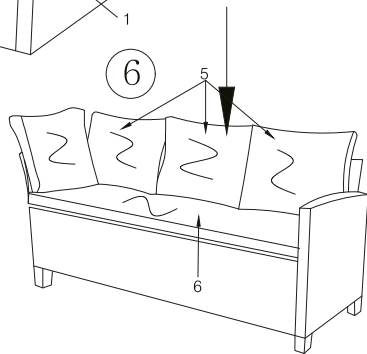
④



⑤



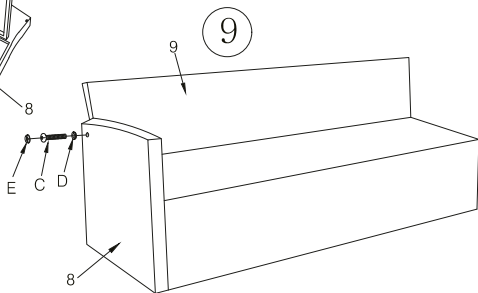
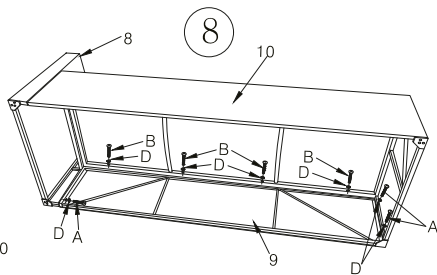
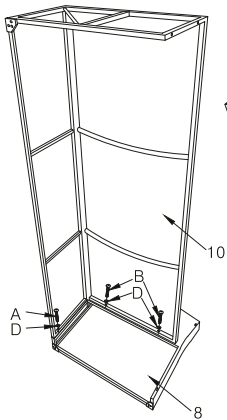
⑥

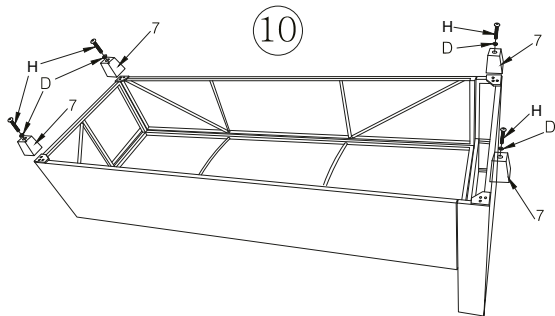


**A**

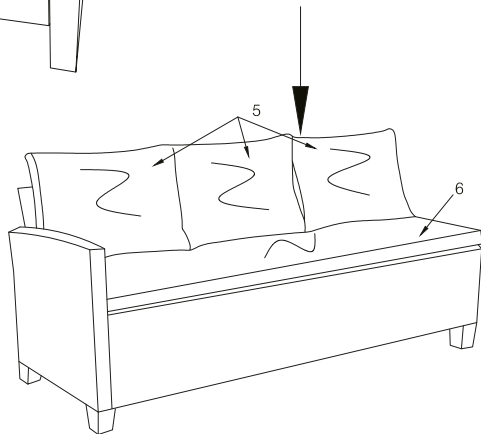
7

|    |  |     |
|----|--|-----|
| 5  |  | x3  |
| 6  |  | x1  |
| 7  |  | x4  |
| 8  |  | x1  |
| 9  |  | x1  |
| 10 |  | x1  |
| 11 |  | x2  |
| A  |  | x4  |
| B  |  | x6  |
| C  |  | x1  |
| H  |  | x4  |
| D  |  | x15 |
| E  |  | x1  |
| F  |  | x1  |



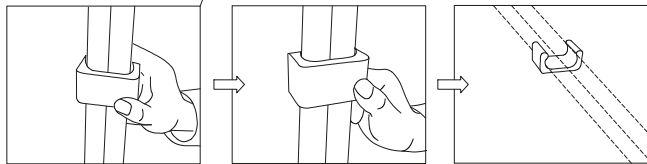
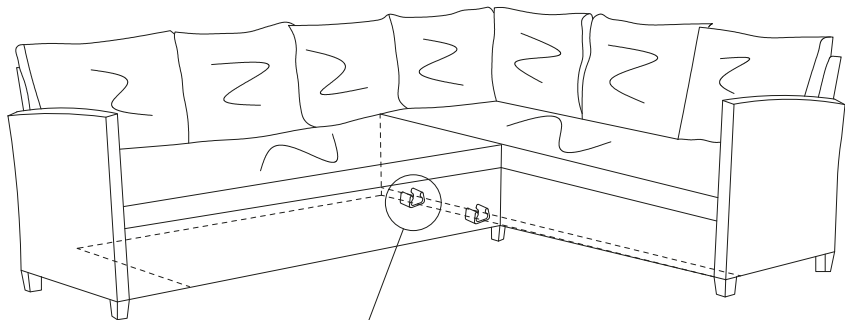
**A**

(11)



**A**

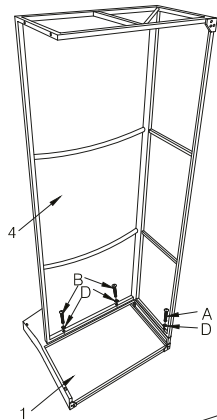
12



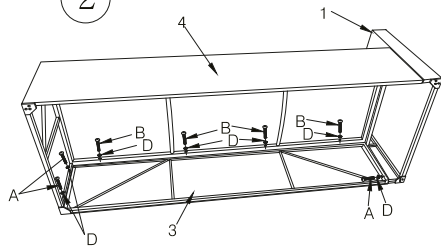
# B

|   |        |     |
|---|--------|-----|
| 1 |        | x1  |
| 3 |        | x1  |
| 4 |        | x1  |
| 5 |        | x3  |
| 6 |        | x1  |
| 7 |        | x4  |
| A | M6*30  | x4  |
| B | M6*35  | x6  |
| C | M6*102 | x1  |
| H | M6*55  | x4  |
| D | Ø6.5   | x15 |
| E |        | x1  |
| F |        | x1  |

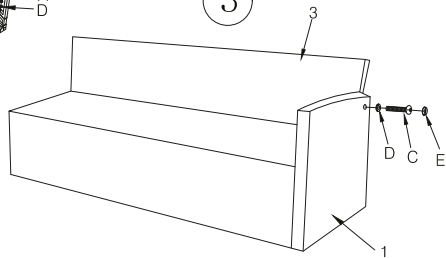
1



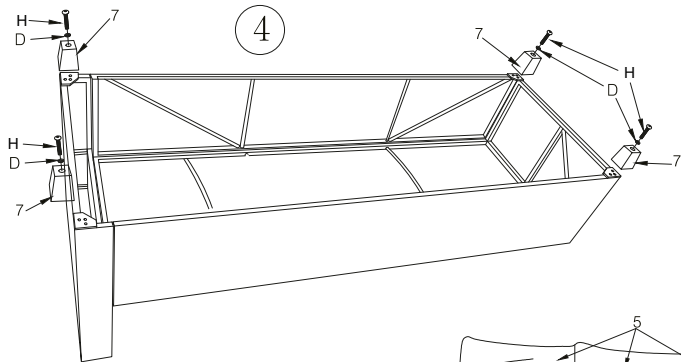
2



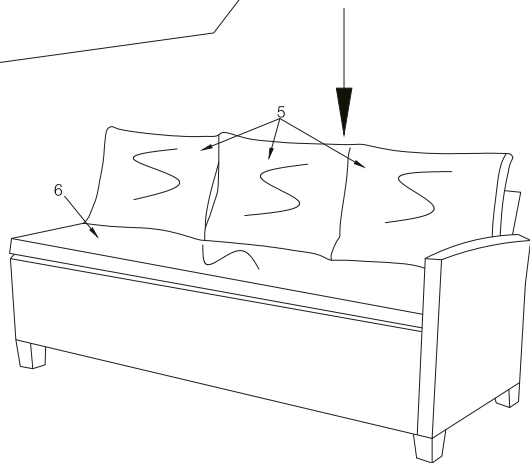
3




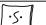
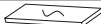














**B**

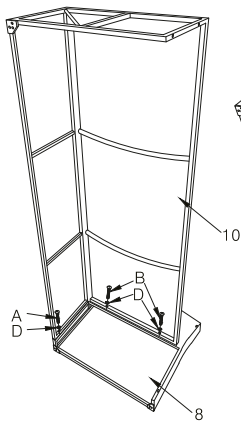
5



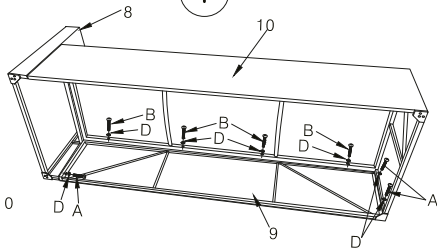
# B

|    |  |     |
|----|--|-----|
| 2  |             | x1  |
| 5  |             | x4  |
| 6  |             | x1  |
| 7  |             | x4  |
| 8  |             | x1  |
| 9  |             | x1  |
| 10 |             | x1  |
| 11 |             | x2  |
| A  |  M6*30      | x6  |
| B  |  M6*35      | x8  |
| C  |  M6*102     | x1  |
| H  |  M6*55      | x4  |
| D  |  $\phi 6.5$ | x19 |
| E  |             | x1  |
| F  |             | x1  |

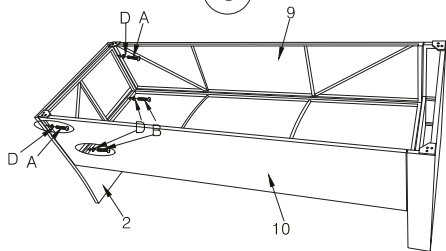
6



7

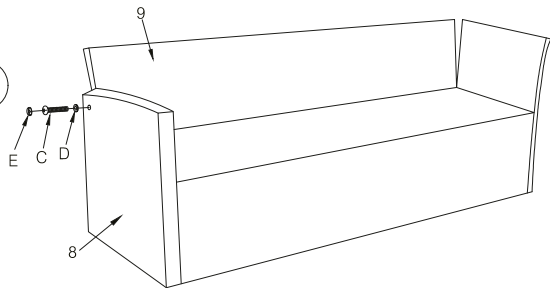


8

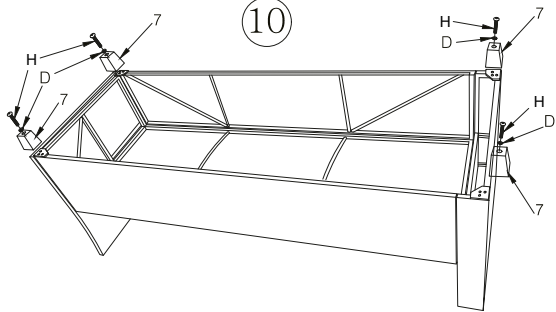


**B**

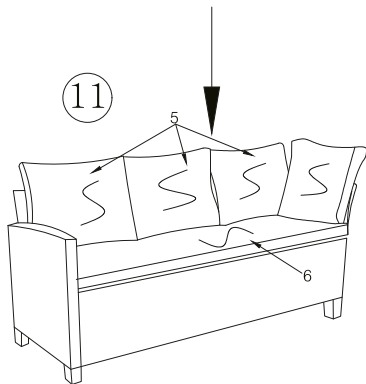
9



10

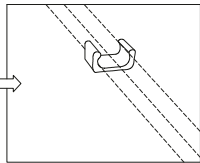
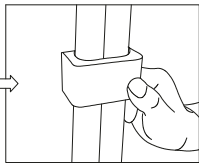
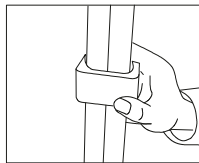
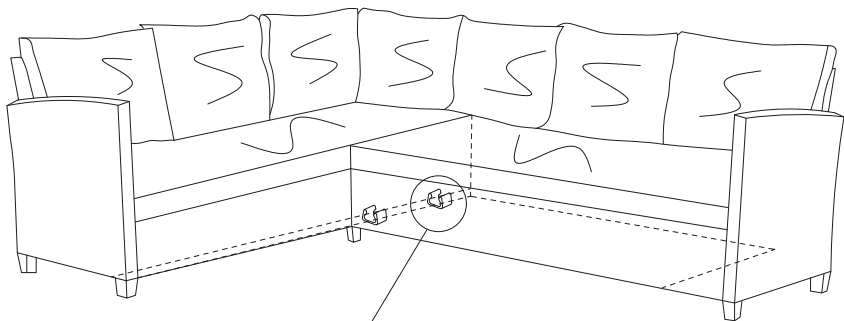


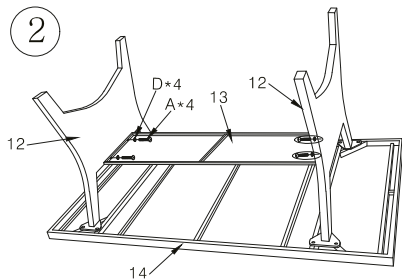
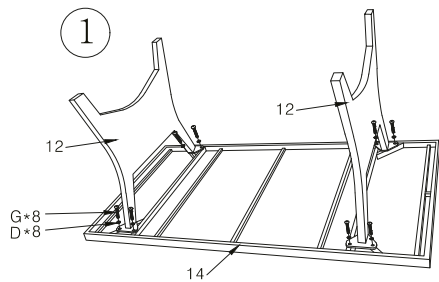
11










**B**

12





|    |  |     |
|----|--|-----|
| 12 |             | x2  |
| 13 |             | x1  |
| 14 |             | x1  |
| A  |  M6*30      | x4  |
| G  |  M6*20      | x8  |
| D  |  $\phi 6.5$ | x12 |
| F  |             | x1  |
|    |  |     |

3

