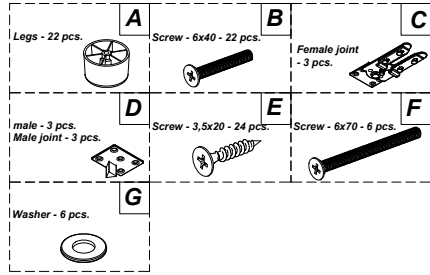
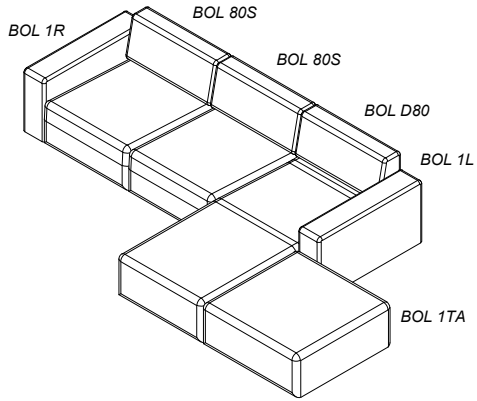
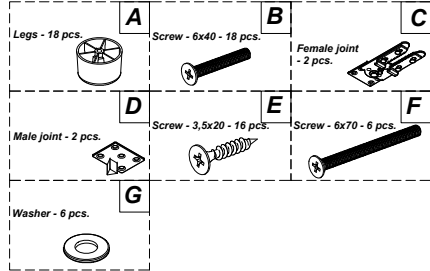
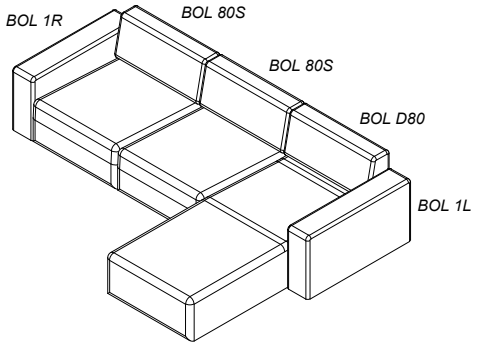


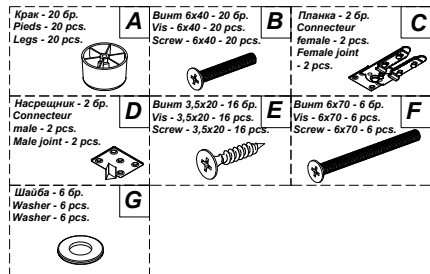
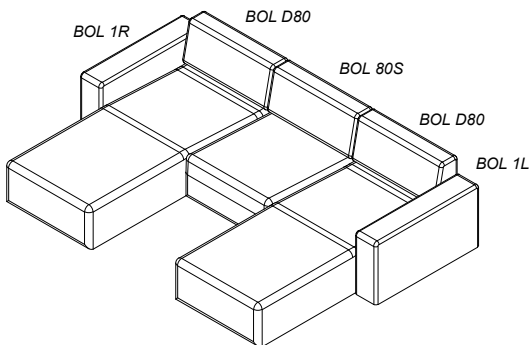
BOL 1R + BOL TA + BOL D80 + BOL 80S + BOL 1L



BOL 1R + BOL 80S + BOL 80S + BOL D80 + BOL TA + BOL 1L



BOL 1R + BOL 80S + BOL 80S + BOL D80 + BOL 1L



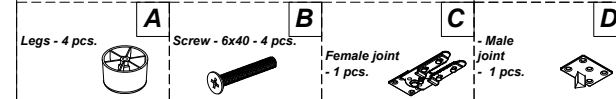
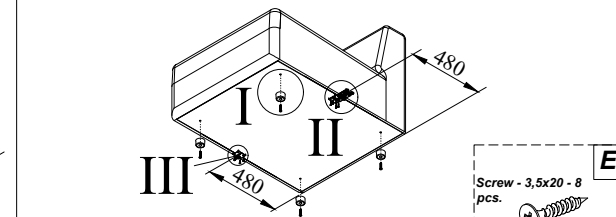
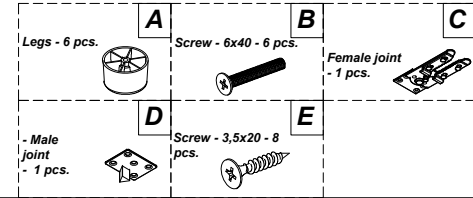
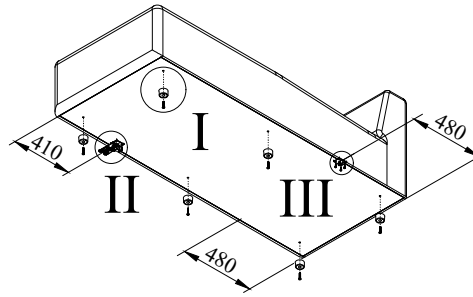
BOL 1R + BOL D80 + BOL 80S + BOL D80 + BOL 1L



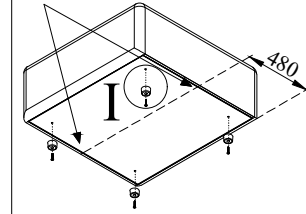
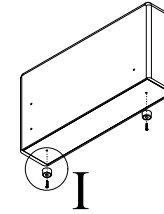
1. Mounting of the legs.



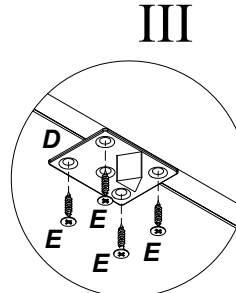
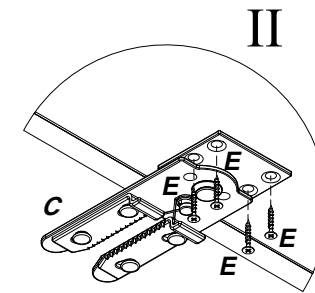
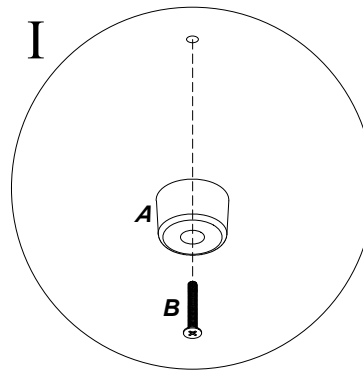
2. Installation of the connecting mechanism.



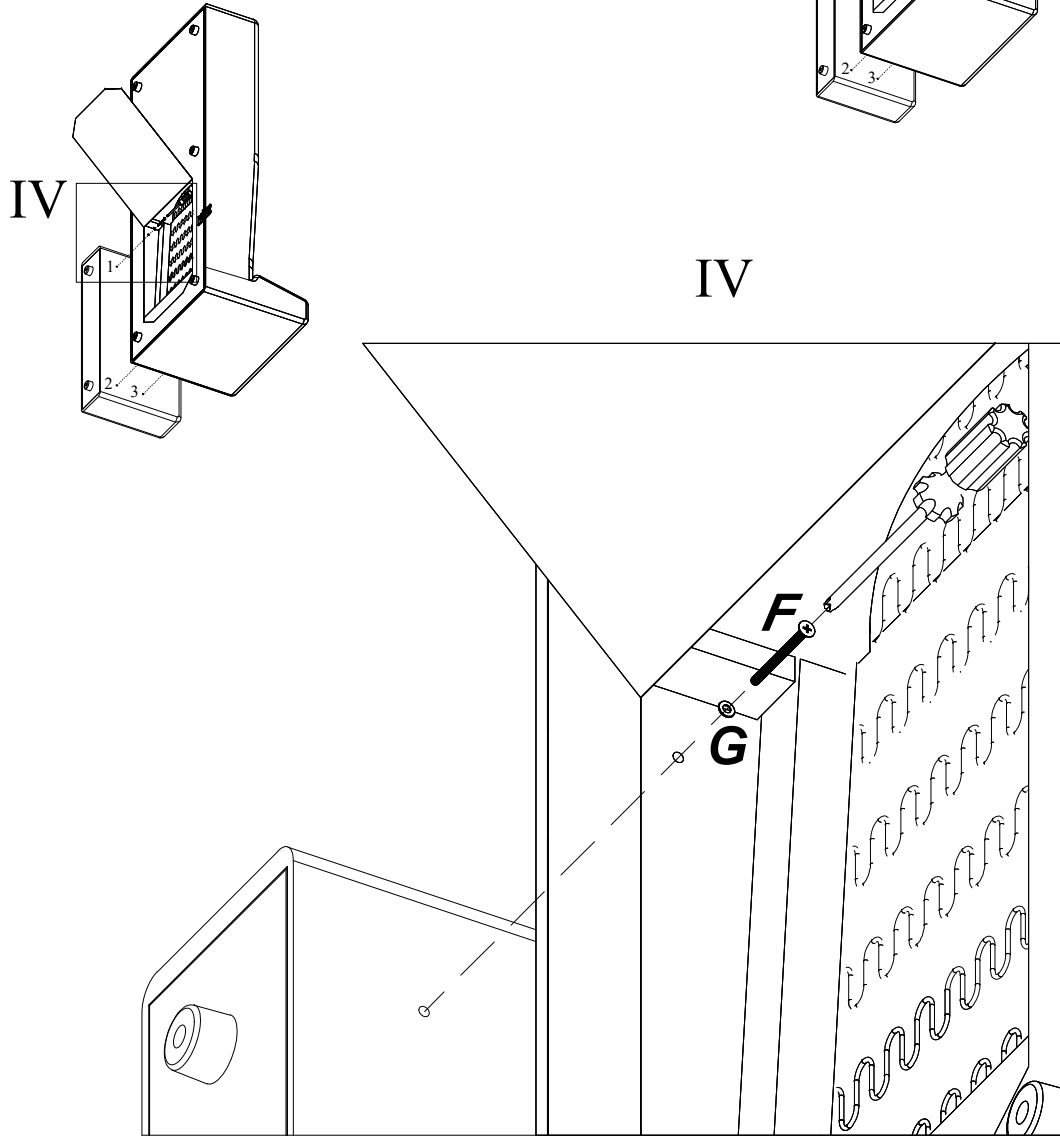
Placement of the connecting mechanism when combined with other modules.



The legs assembly is marked with a hole.



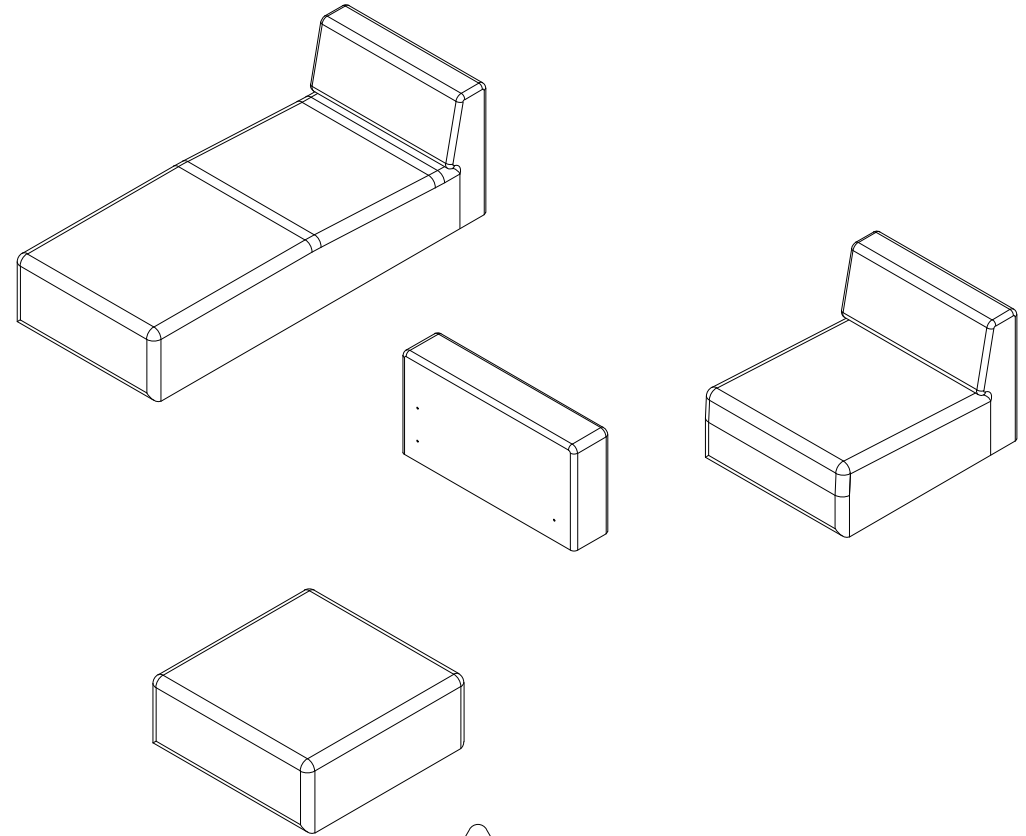
3. Mounting the armrest to the other modules.



The holes in the cloth are carefully punched by hand.



## Installation manual



Attention! The installation of the legs, can be done by two people.

For the installation of the feet you will need only a screwdriver.

The joint connecting mechanism is in the package, but putting is optional. To install it, you need a drilling tool.