

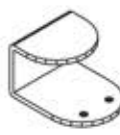
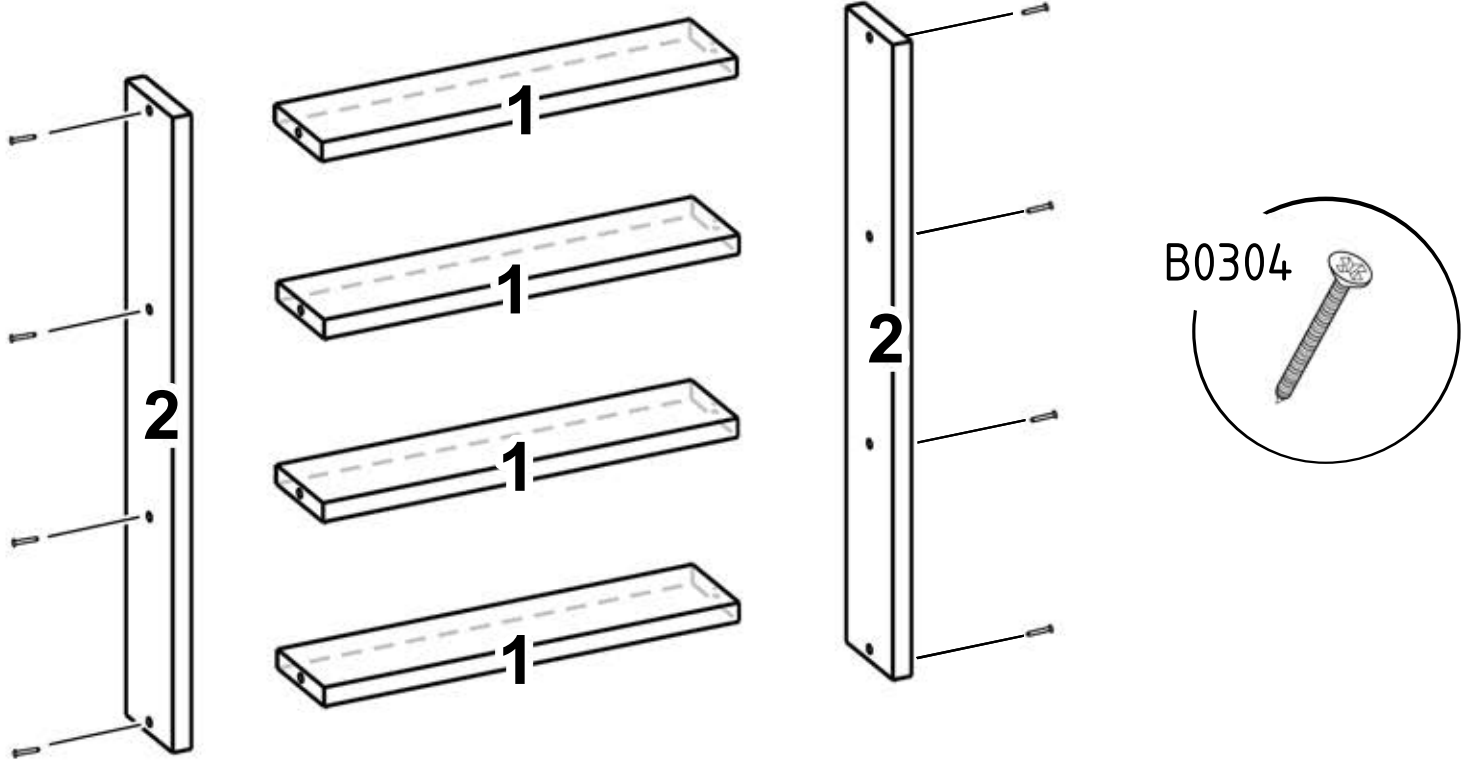
	B0301 x4		B0304 x10		B0317 x2		B1306 x2
--	-------------	--	--------------	--	-------------	--	-------------



Icons representing assembly steps: a roll of tape, a person on a ladder, a power drill, a hammer, and a screwdriver.

