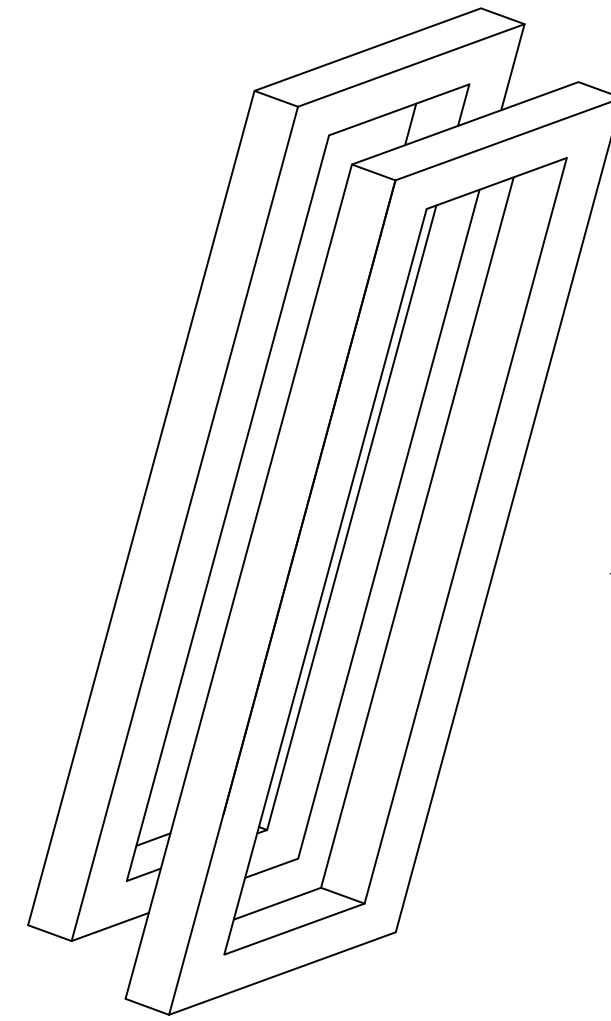
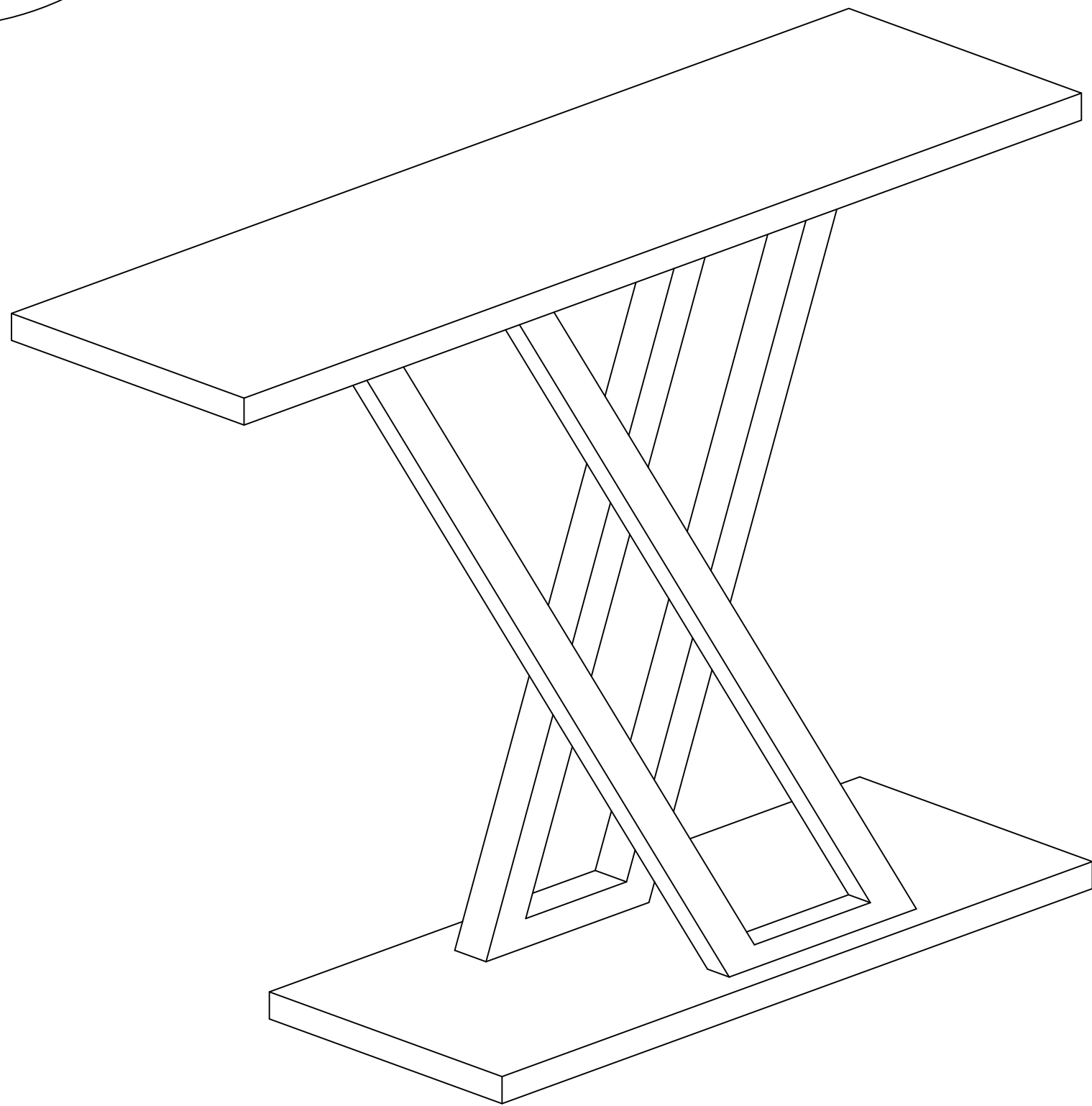
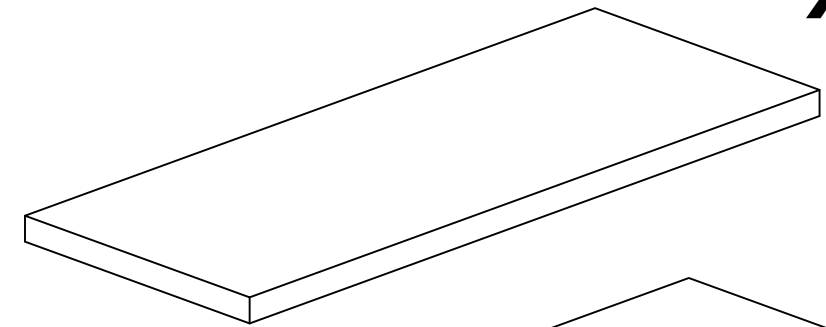


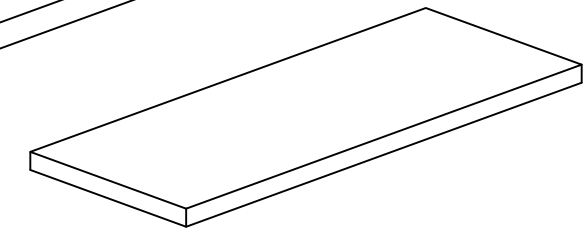
x10



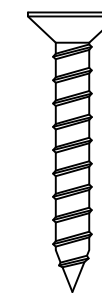
x2



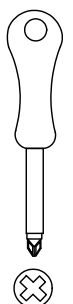
x1



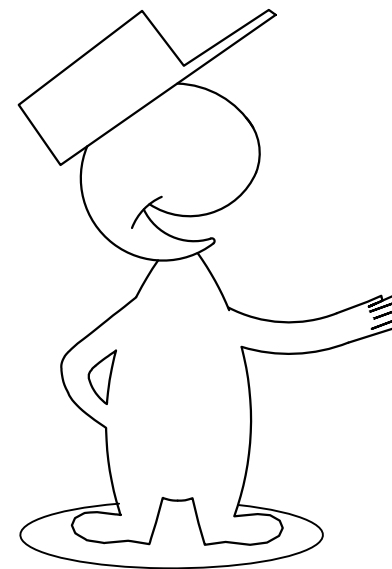
x1

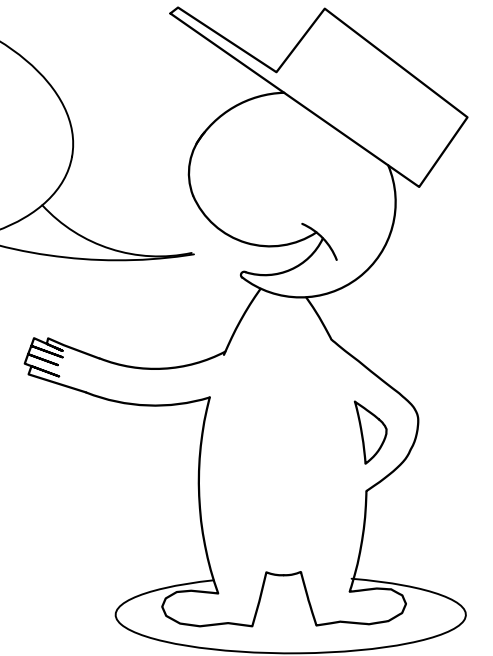
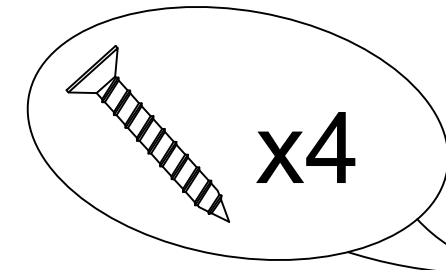
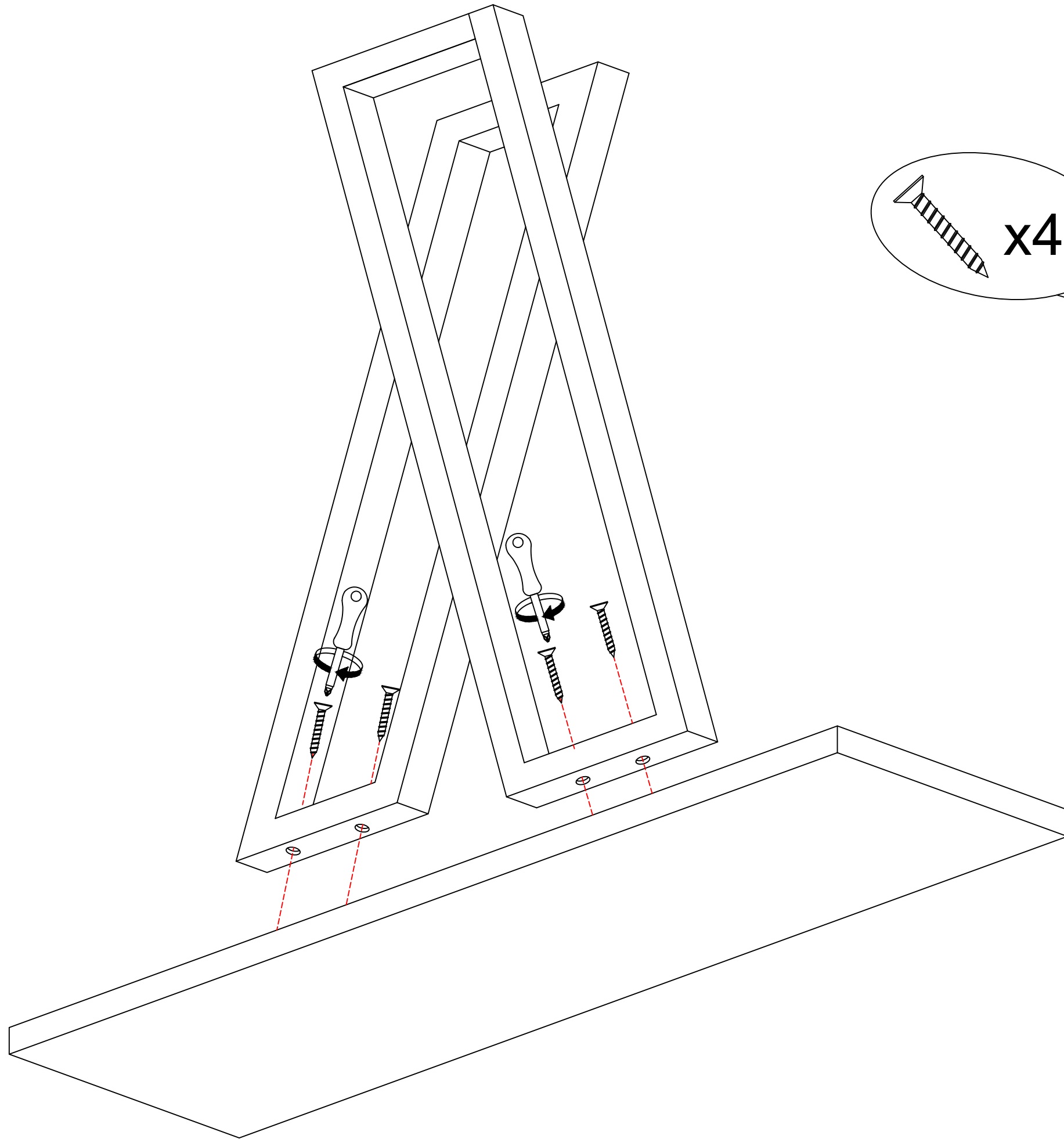


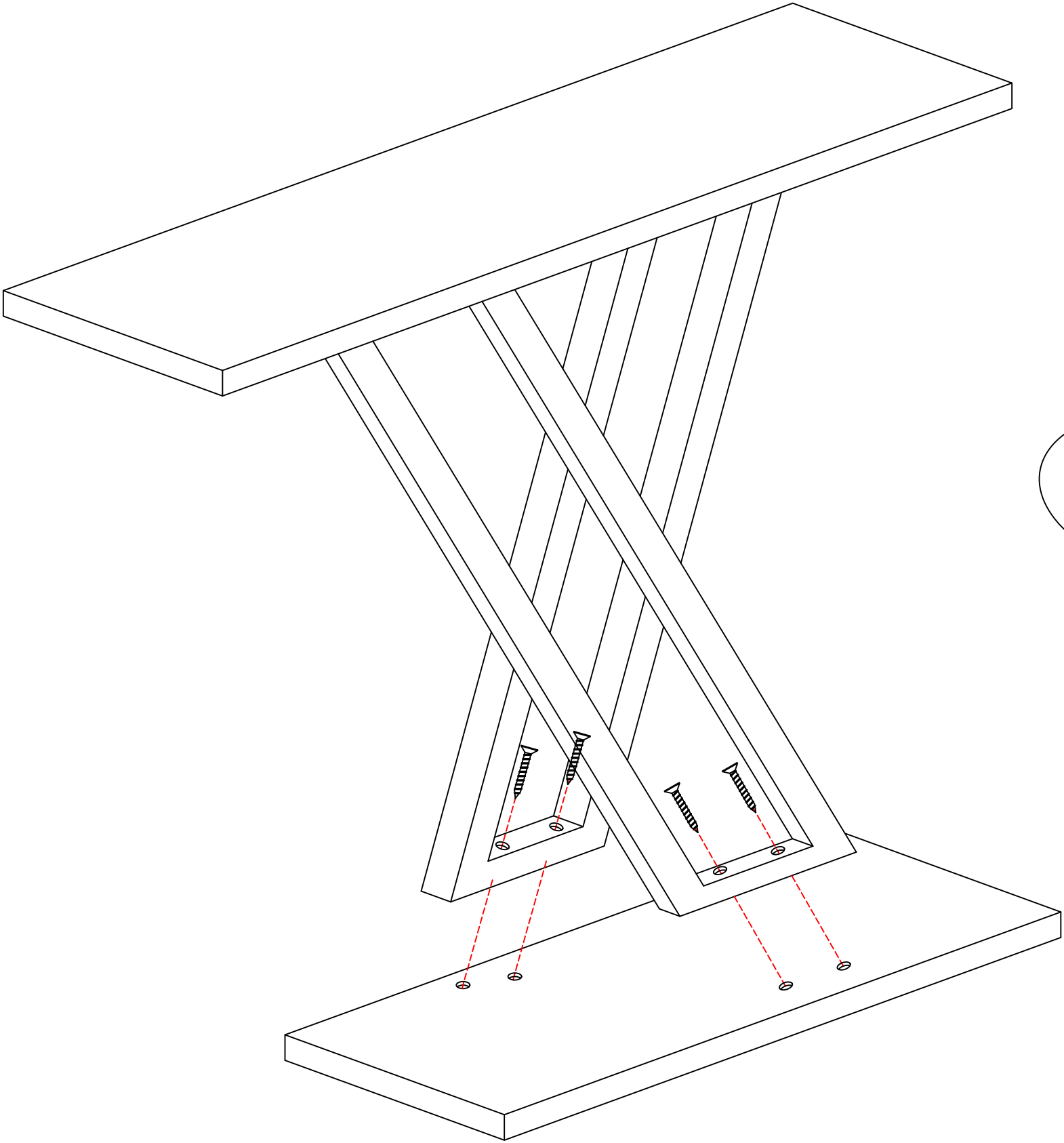
8X

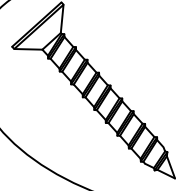


197-000240







 **x4**

