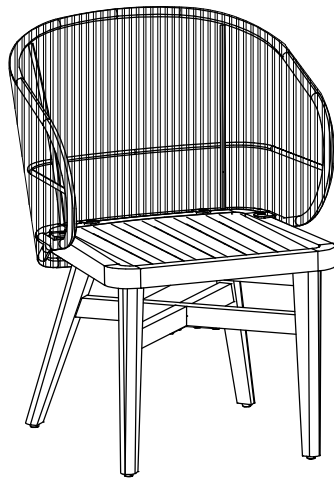
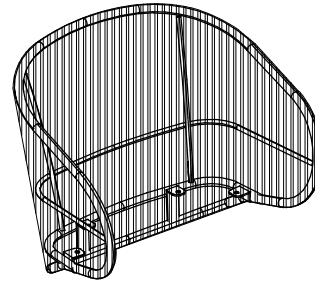


ASSEMBLY INSTRUCTION

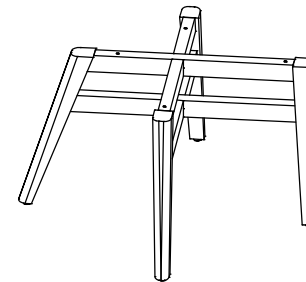
228-000038



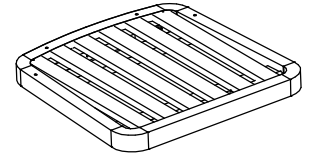
Components



A.BACK FRAME X 1



B.LEG FRAMES X 1



C.BASE X 1

These instructions must be used to ease the assembly of your furniture.
Please ensure that you have all the components before assembly.
Remember to place the part on a carpeted floor or blanket in order to protect them from damage while you assemble.



① Screw M6 x 60 = 4pcs



② Screw M6 x 20 = 8pcs



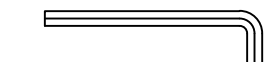
③ Screw M6 x 40 = 4pcs



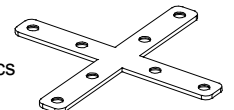
④ Screw M6 x 30 = 4pcs



⑤ Washers = 4 pcs

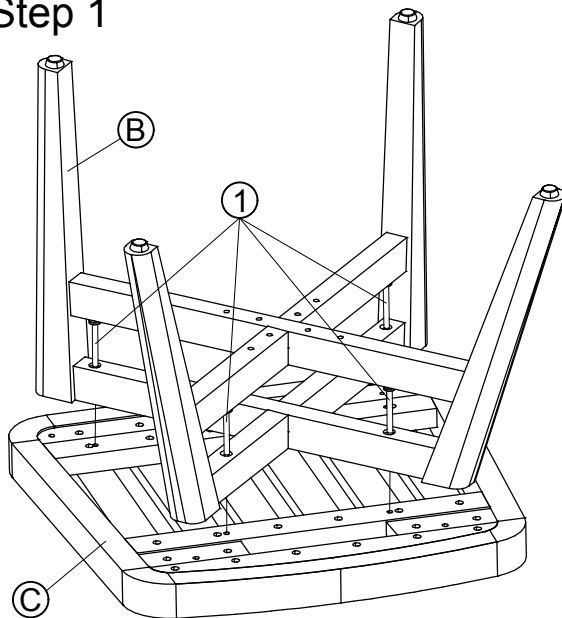


⑥ Allen Key 4 = 1pce

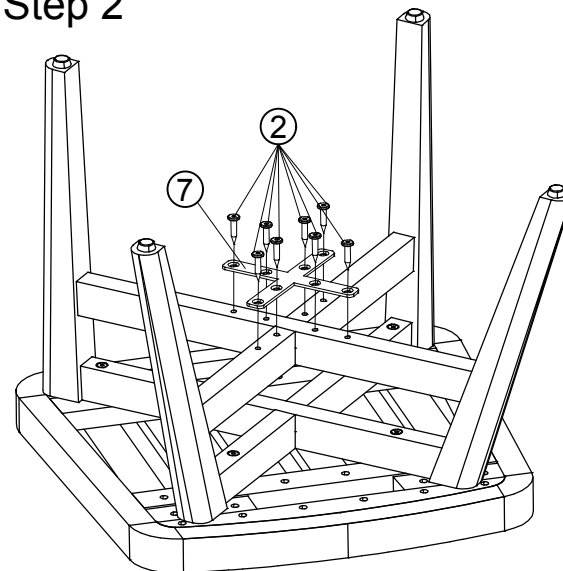


⑦ PAT "+" = 1pce

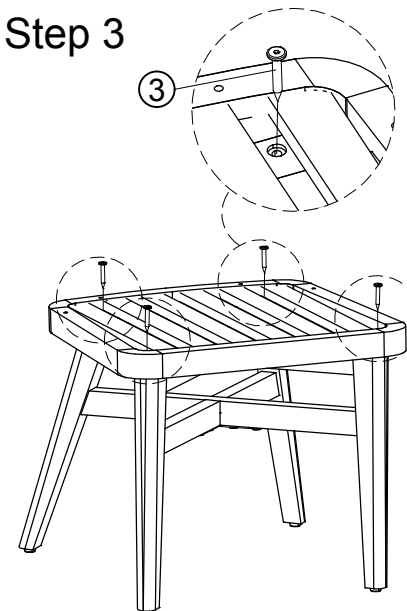
Step 1



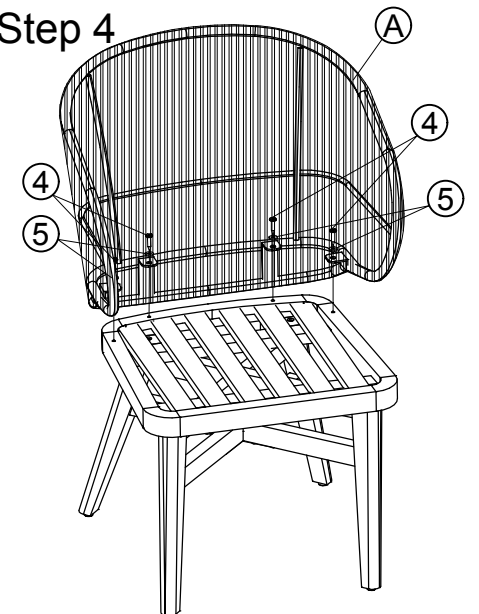
Step 2



Step 3



Step 4



Finished