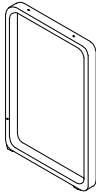
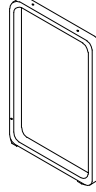
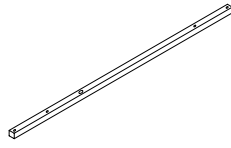
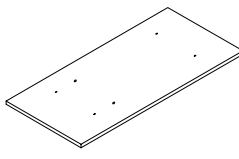

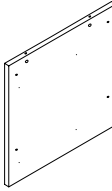
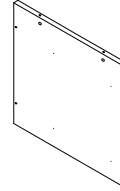
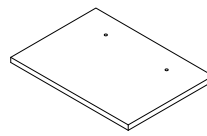
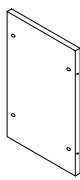
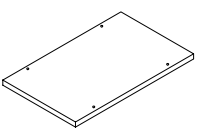
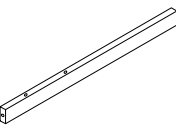
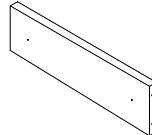
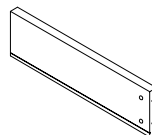
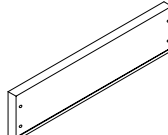
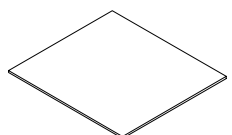
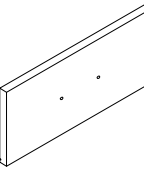
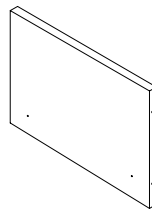
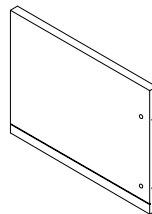
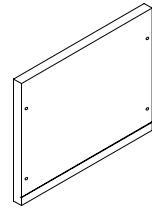
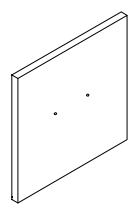
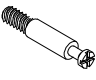





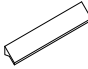

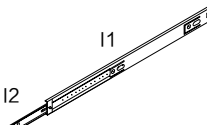


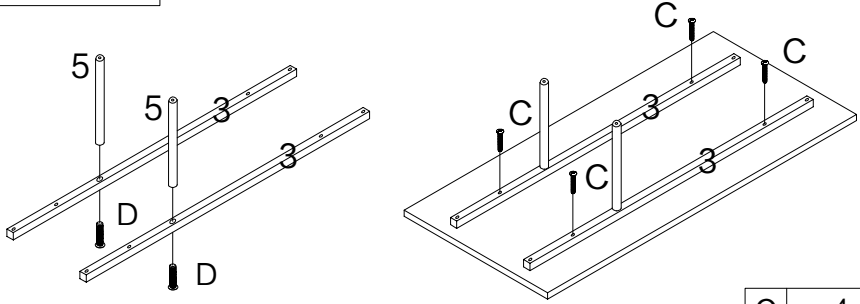
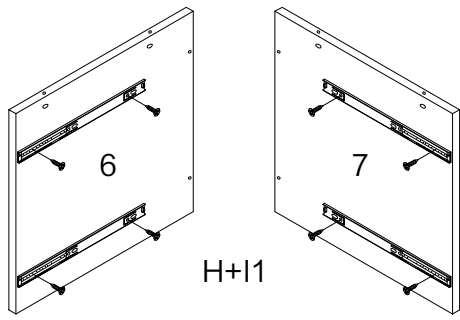


# 230-000029

|   |  |  |  |  |   |    |   |    |
|---|--|--|--|--|---|----|---|----|
| 1<br><br>x1              | 2<br><br>x1       | 3<br><br>x2                 | 4<br><br>x1                | 5<br><br>x2               |   |    |   |    |
| 6<br><br>x1              | 7<br><br>x1       | 8<br><br>x1                 | 9<br><br>x1               | 10<br><br>x1              |   |    |   |    |
| 11<br><br>x1              | 12<br><br>x1      | 13<br><br>x1                | 14<br><br>x1              | 15<br><br>x2              |   |    |   |    |
| 16<br><br>x1           | 17<br><br>x1    | 18<br><br>x1              | 19<br><br>x1            | 20<br><br>x1            |   |    |   |    |
| A<br><br>x16           | B<br><br>x16    | C<br><br>( 6x30mm ) x6    | D<br><br>( 6x25mm ) x10 | E<br><br>( 5x50mm ) x12 |   |    |   |    |
| F<br><br>( 4x18mm ) x4 | G<br><br>x2     | H<br><br>( 3.5x12mm ) x16 | I<br><br>x4              | J<br><br>( 6x45mm ) x2  |   |    |   |    |
| K<br><br>( 4x40mm ) x2 | <p>Step 1</p>  |  |  |  |   |    |   |    |
|   |  |  |  | <table border="1"> <tr> <td>C</td> <td>x4</td> </tr> <tr> <td>D</td> <td>x2</td> </tr> </table>              | C | x4 | D | x2 |
| C   | x4   |  |  |  |   |    |   |    |
| D   | x2   |  |  |  |   |    |   |    |

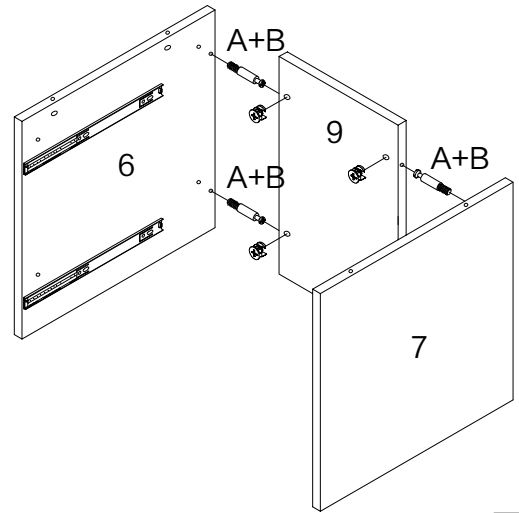
Step 2



H x4

I x4

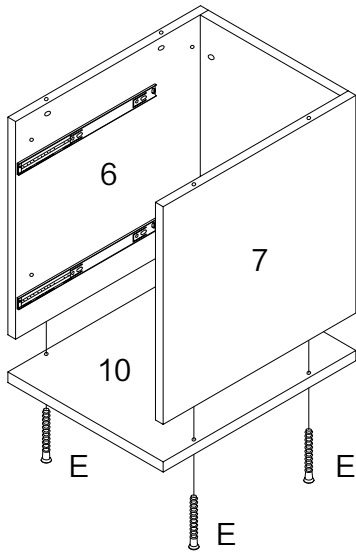
Step 3



A x4

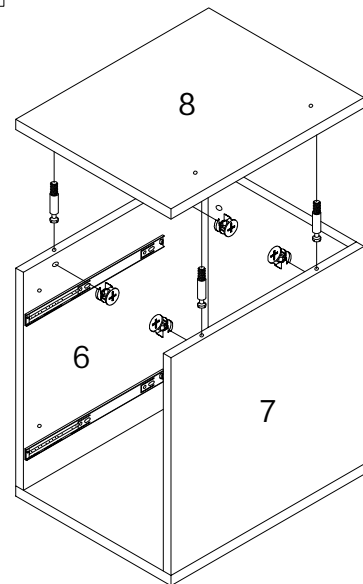
B x4

Step 4



E x4

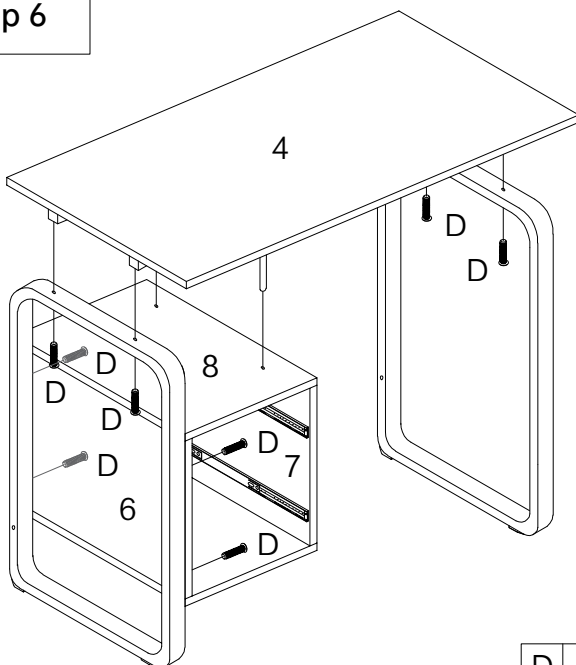
Step 5



A x4

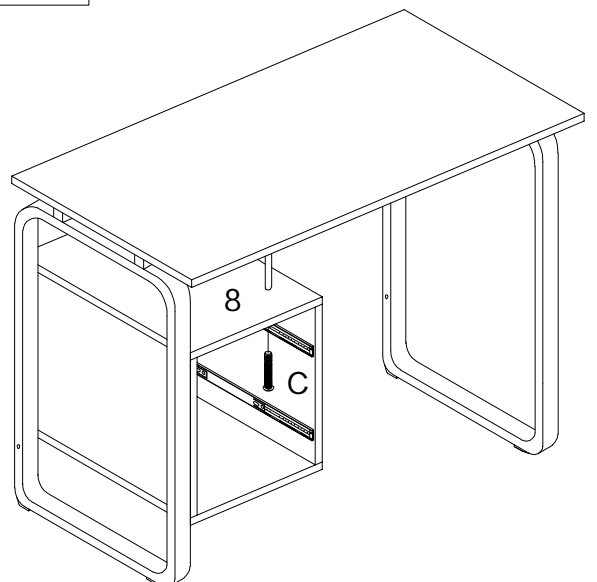
B x4

Step 6



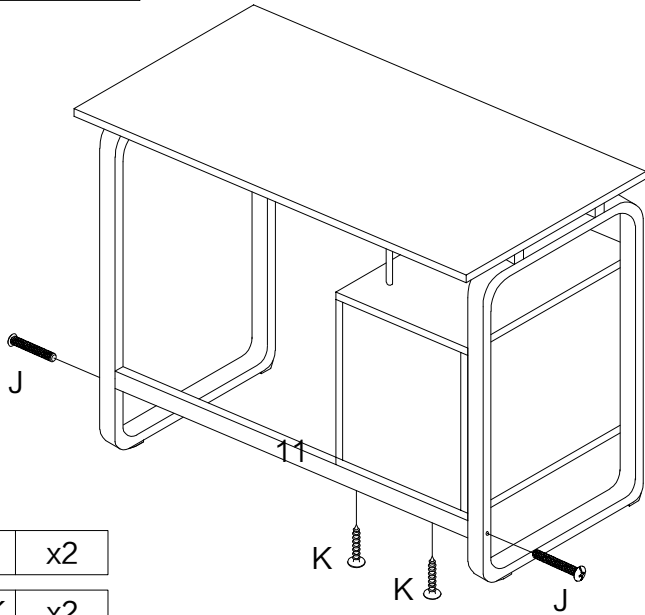
D x8

Step 7



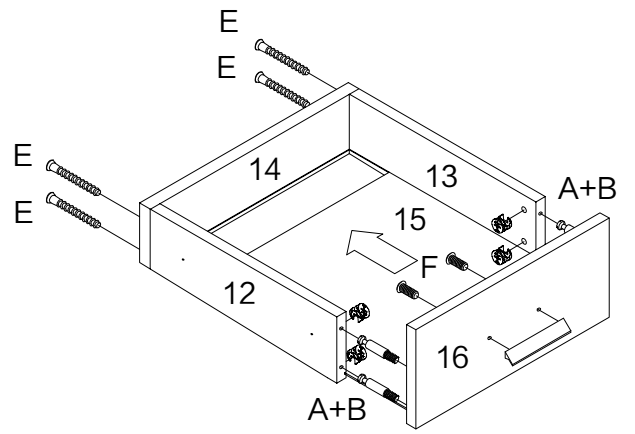
C x2

Step 8



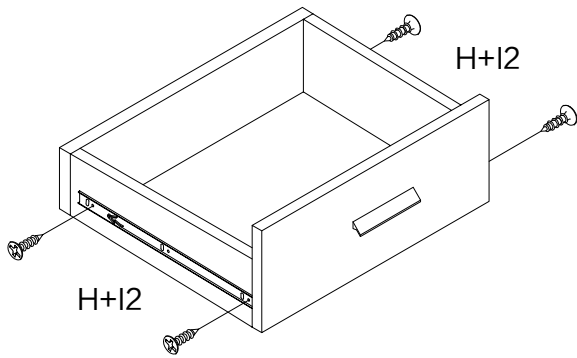
- J x2
- K x2

Step 9



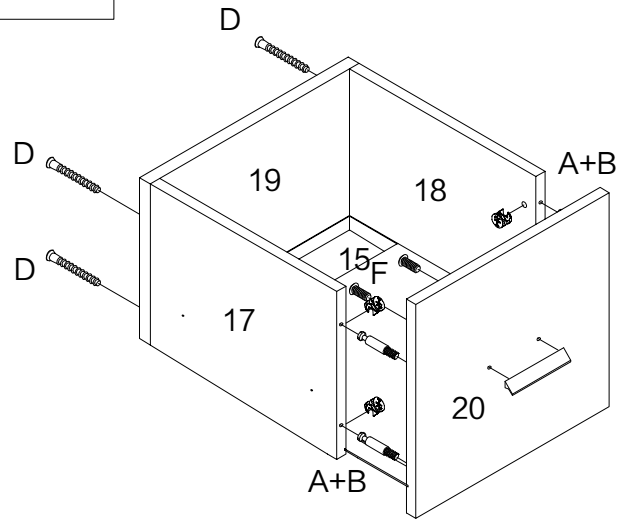
- A x4
- B x4
- D x4
- F x2

Step 10



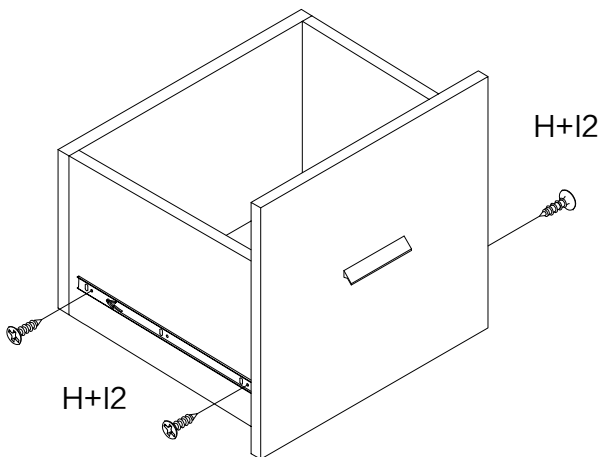
- H x4
- I x2

Step 11



- A x4
- B x4
- D x4
- F x2

Step 12



- H x4
- I x2

Complete

