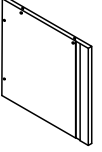
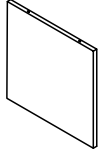
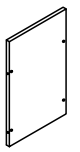
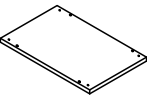
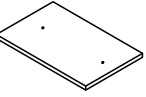
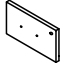
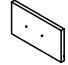
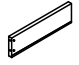
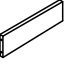
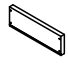
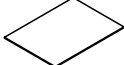




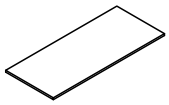










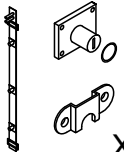

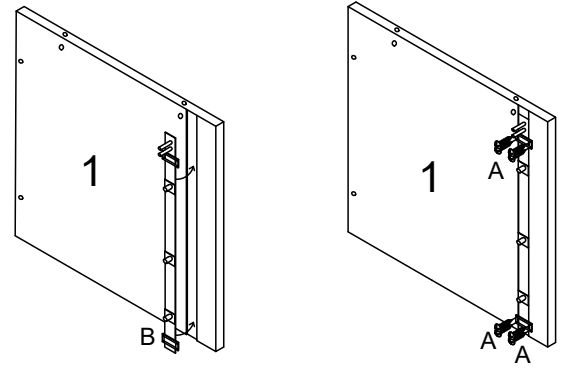


# 230-000030

1  X1	2  X1	3  X1	4  X1
5  X1	6  X1	7  X1	8  X1
9  X1	10  X1	11  X1	12  X1
13  X2	14  X1	15  X1	16  X1
17  X4	A (4X12)  X38	B  X20	C  X16
F (6X35)  X2	G (6X30)  X8	H (4X18)  X6	I  X3
J  X6	K (4X16)  X4	L  X1	M (8X30)  X4

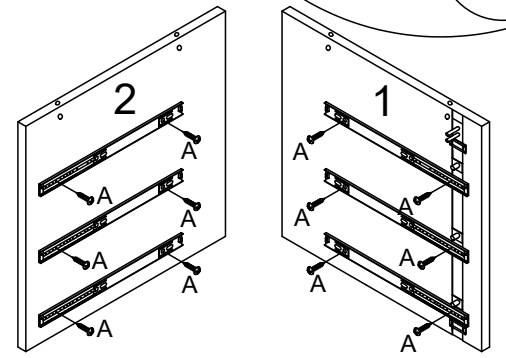
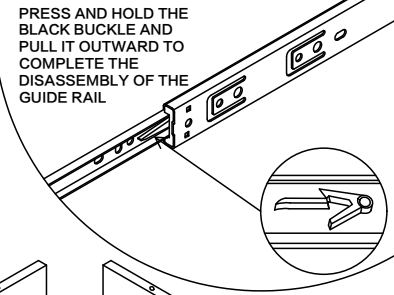
## Step 1



PLACE L INTO THE CARD SLOT AND TIGHTEN IT WITH SCREW A TO SECURE IT IN PLACE

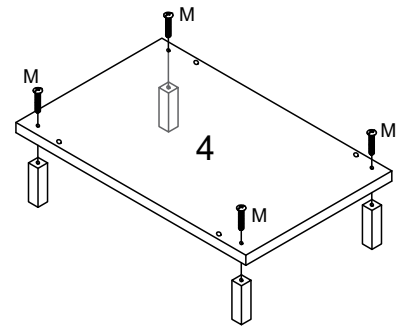
A x8

## Step 2



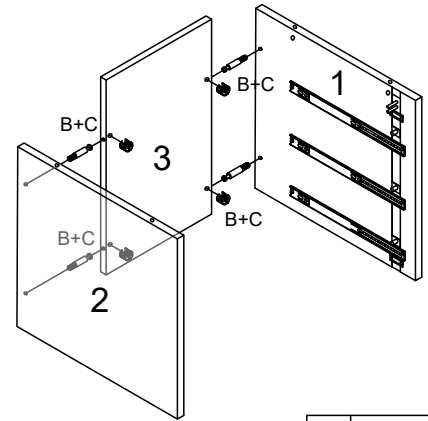
A x12

## Step 3



M x4

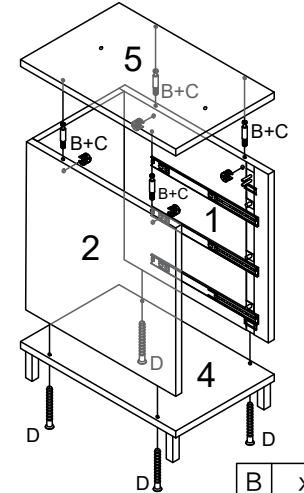
## Step 4



B x4

C x4

## Step 5

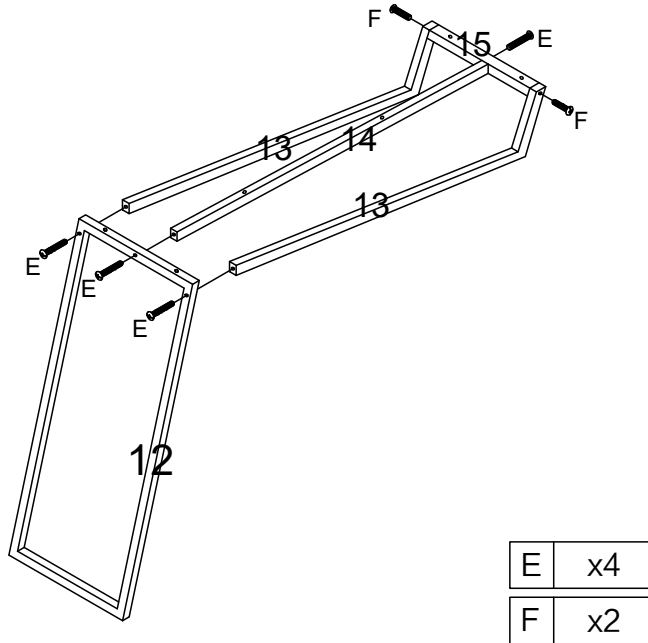


D x4

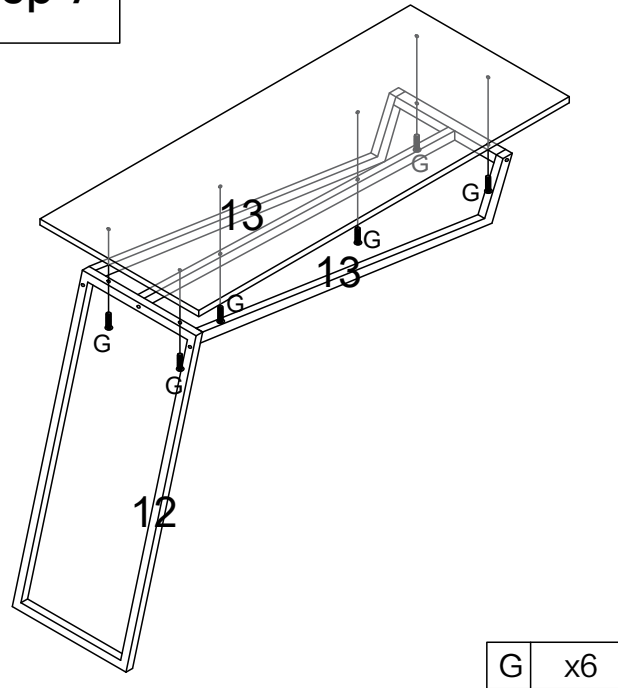
B x4

C x4

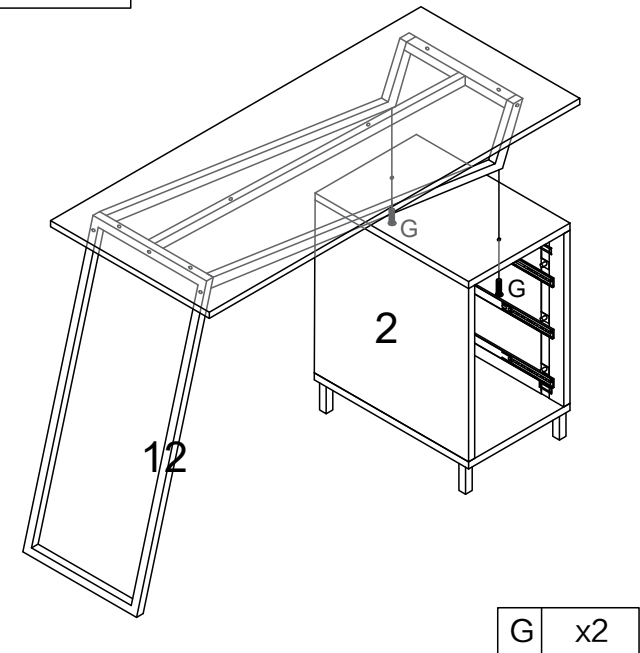
### Step 6



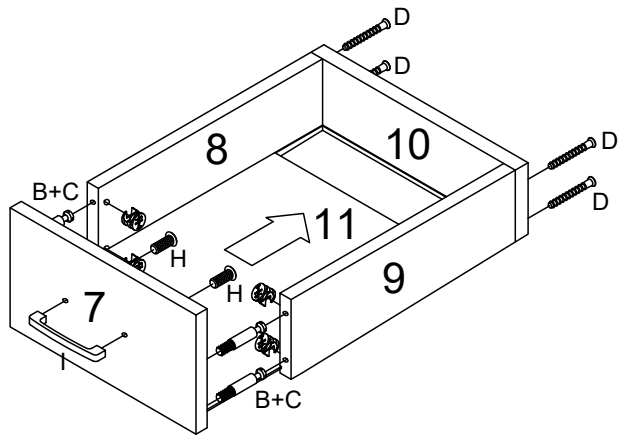
### Step 7



### Step 8



### Step 9

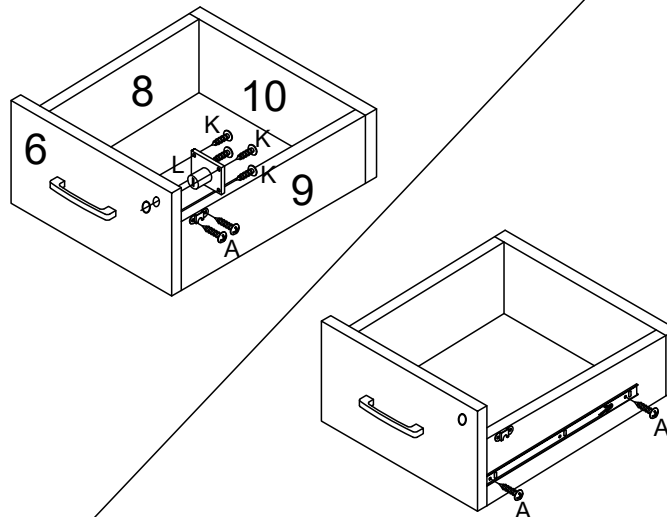


INSTALL ALL THREE DRAWERS ①, ②, AND ③ ACCORDING TO THIS STEP

B	x12	I	x8
C	x12	D	x12

### Step 10

INSTALL LOCK CORE L AND IRON PLATE M FOR DRAWER ①



INSTALL THE GUIDE RAILS IN SEQUENCE FOR THE THREE DRAWERS ①, ②, AND ③ ACCORDING TO THIS STEP

A	x18
K	x4

complete

