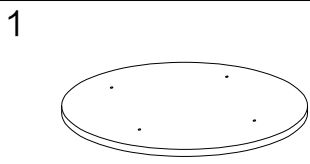
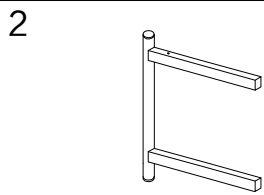


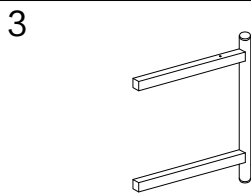
# 230-000033



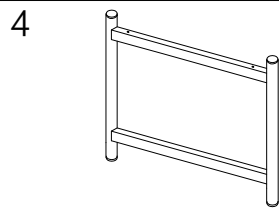
x1



x1



x1



x1



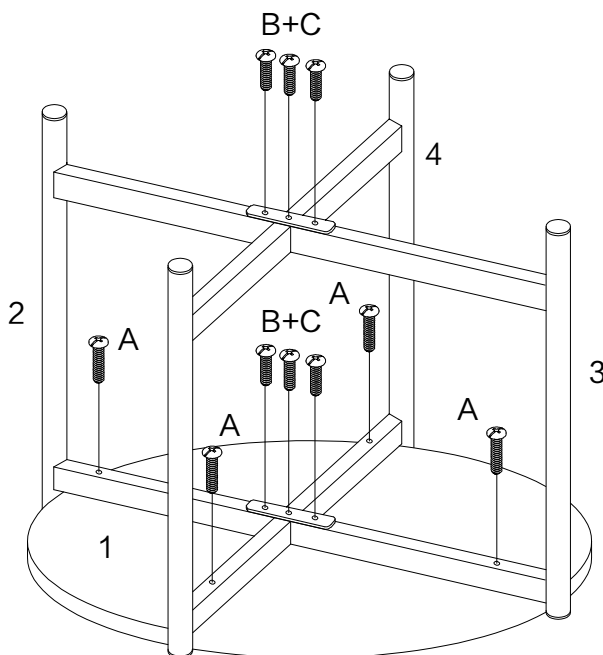
( 6x40mm ) x4



( 6x10mm ) x6



x2



A	x4
C	x2
B	x6

Complete

