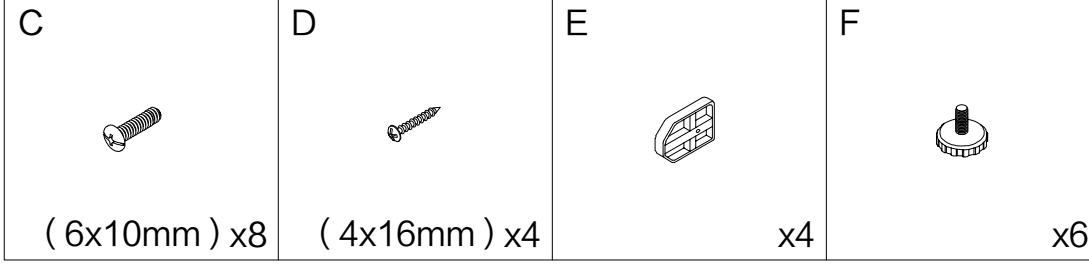
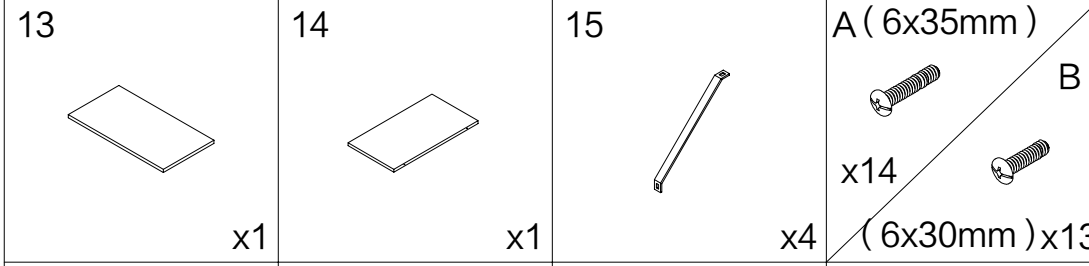
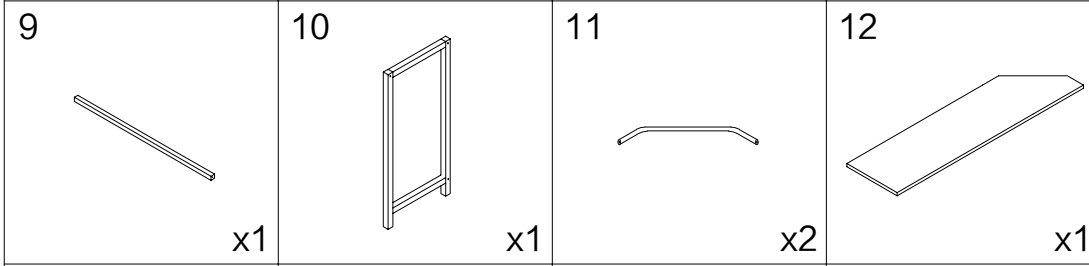
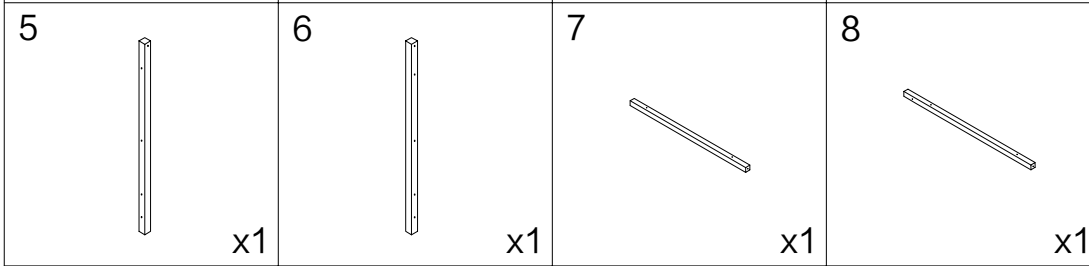
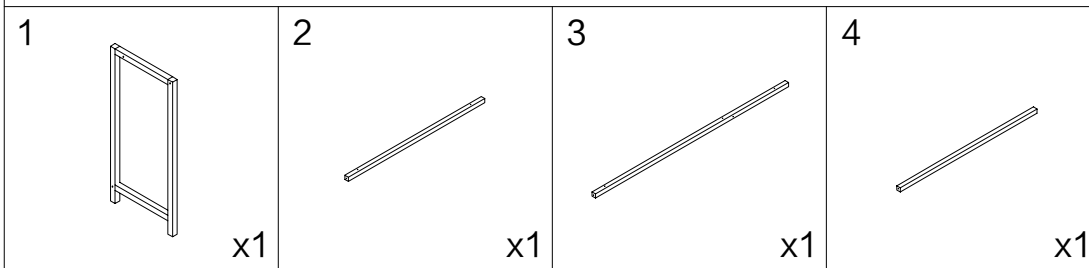
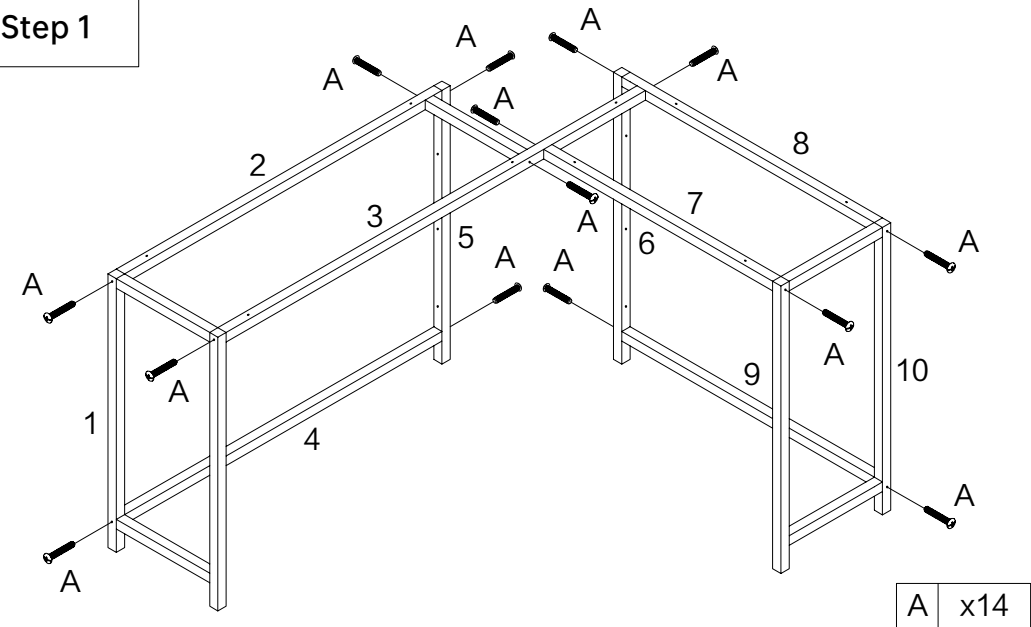


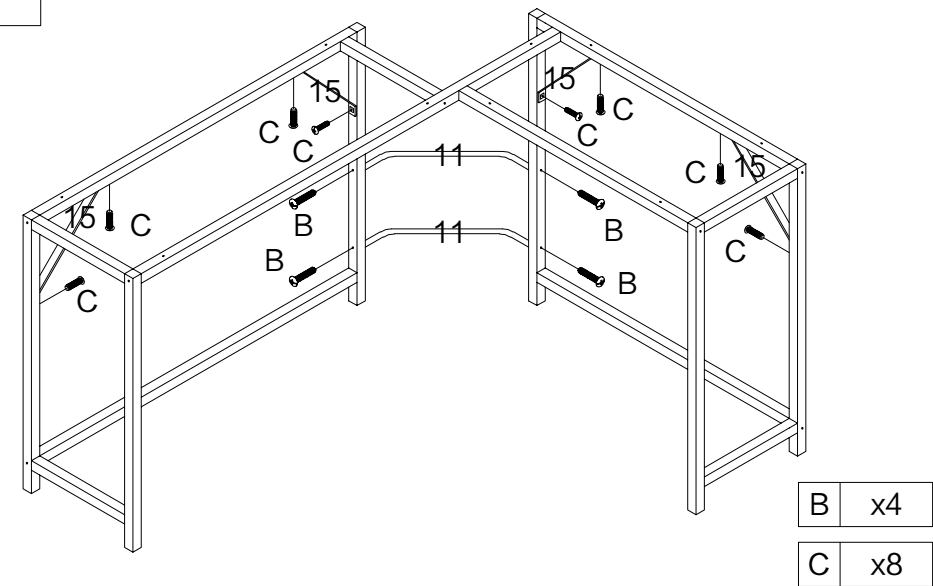
230-000036



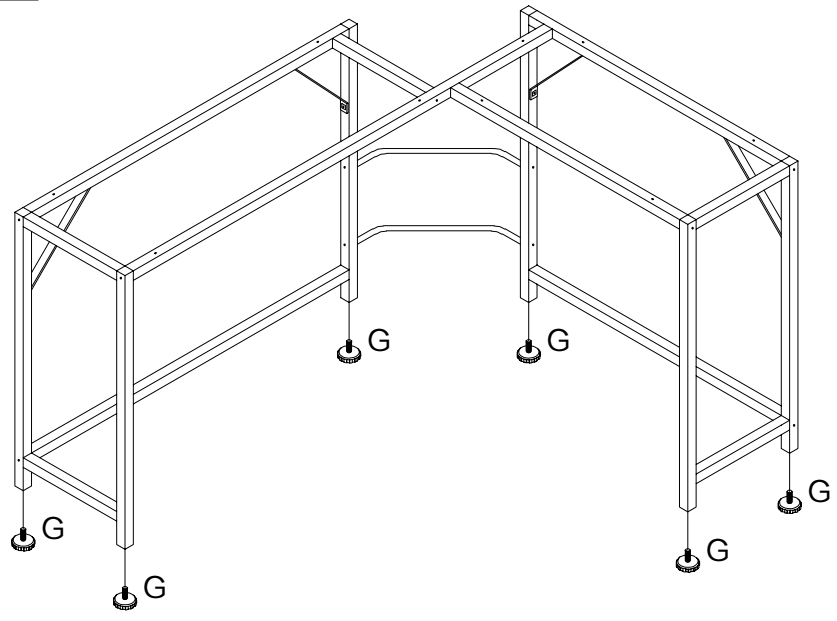
Step 1



Step 2

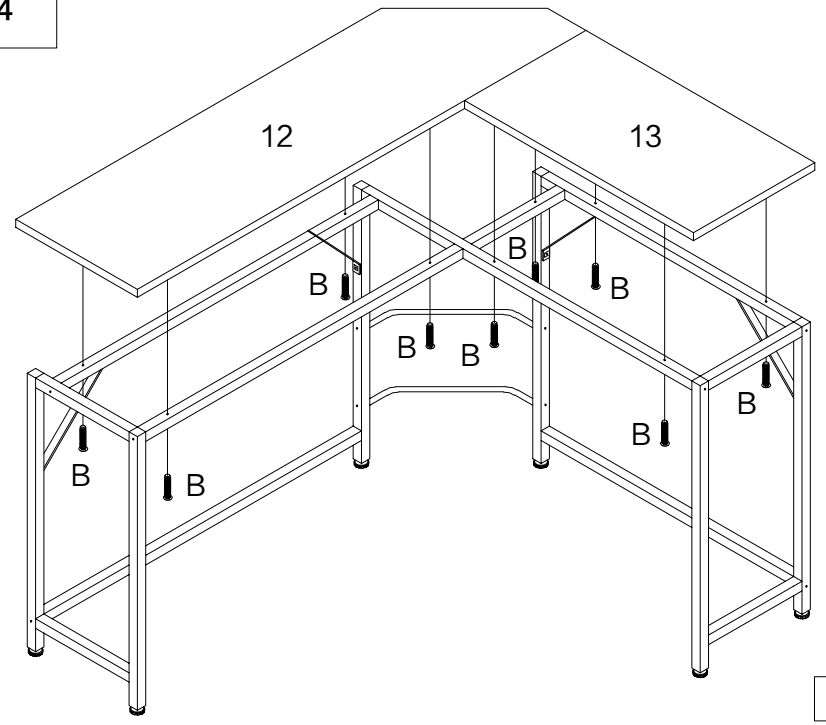


Step 3



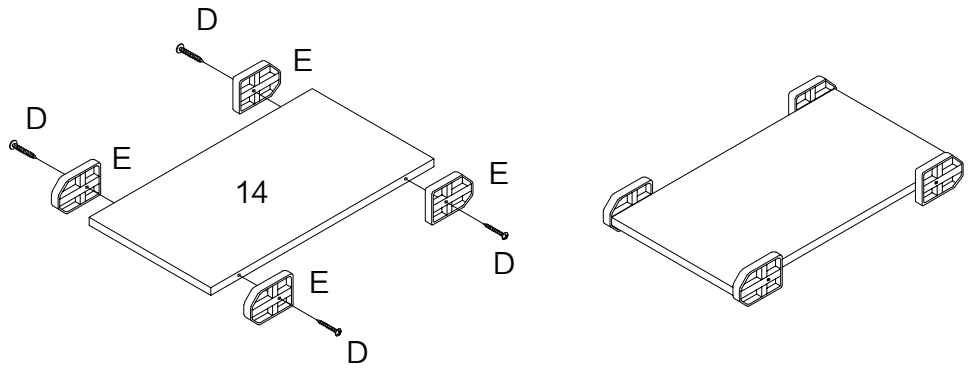
G x6

Step 4



B x9

Step 5



E x4

D x4

Complete

