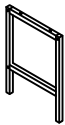
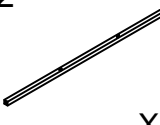
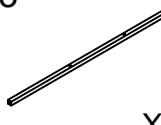


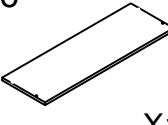
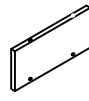
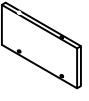
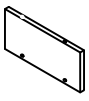
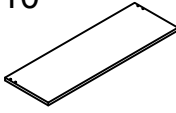
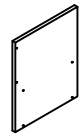
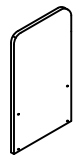
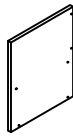





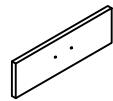
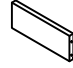
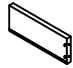
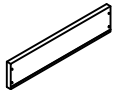
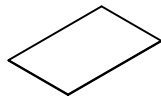
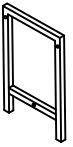

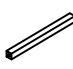
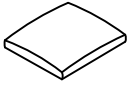











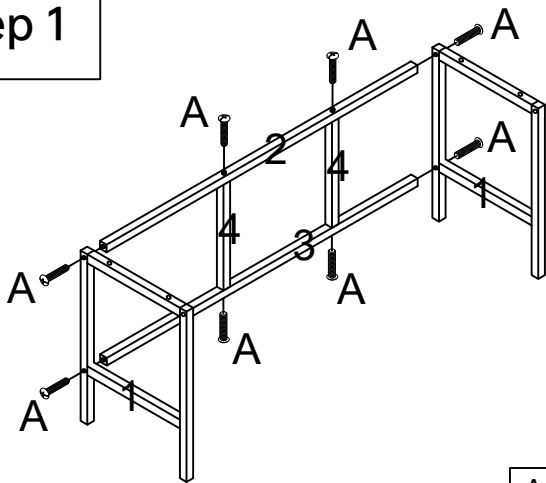


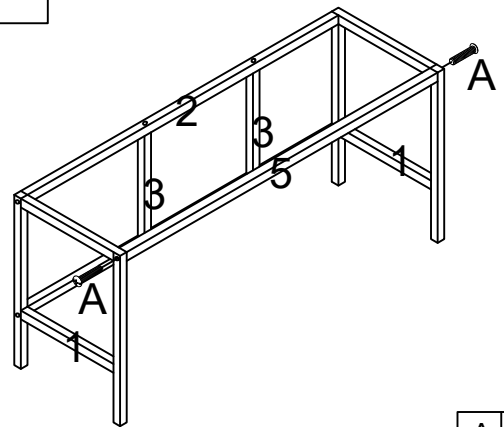
1  X2	2  X1	3  X1	4  X2	5  X1	6  X1	7  X1	8  X1
9  X1	10  X1	11  X1	12  X1	13  X1	14  X1	15  X1	16  X1
17  X2	18  X1	19  X2	20  X2	21  X2	22  X2	23  X2	24  X2
25  X2	26  X1	27  X1	A (6X40)  X16	B (6X35)  X8	C (4X12)  X16	D  X24	E  X24
F (5X50)  X30	G  X7	H  X2	I (4X18)  X4	J  X4	K  X1		

Step 1



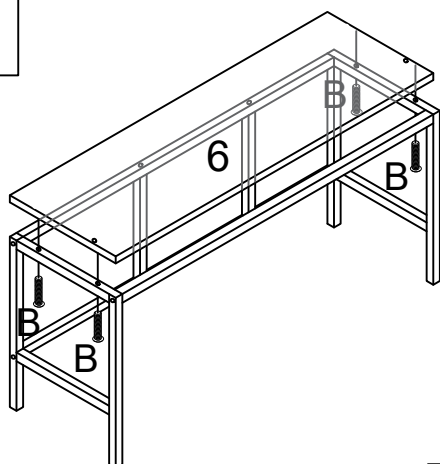
A x8

Step 2



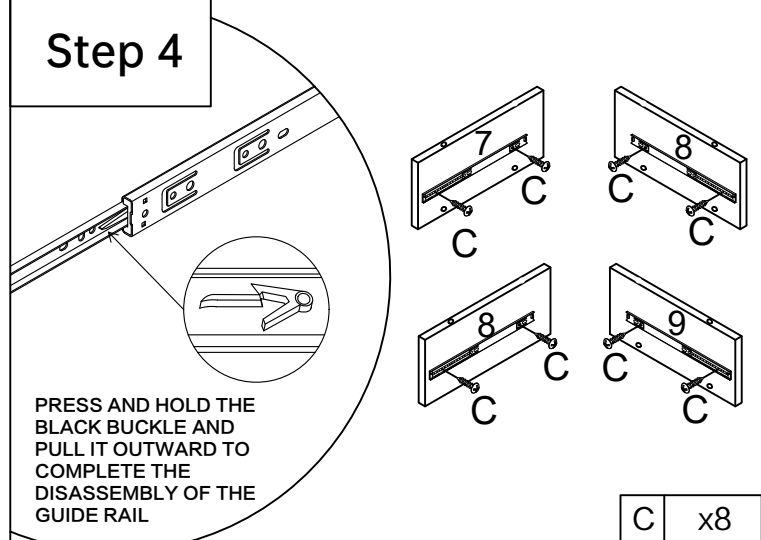
A x2

Step 3



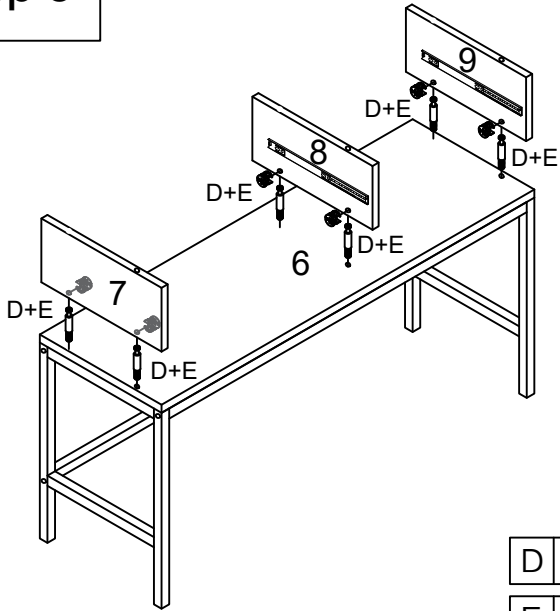
B x4

Step 4



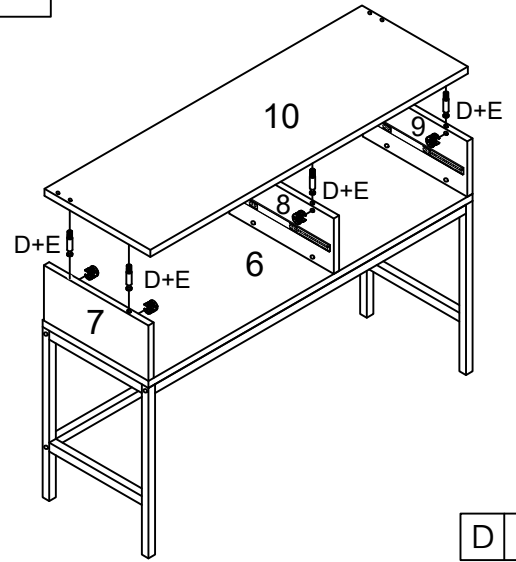
C x8

Step 5



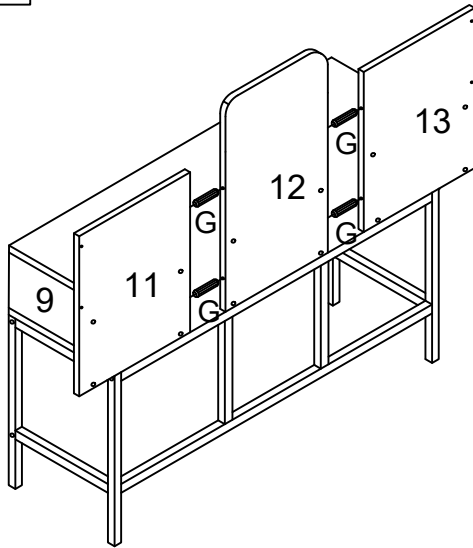
D	x6
E	x6

Step 6



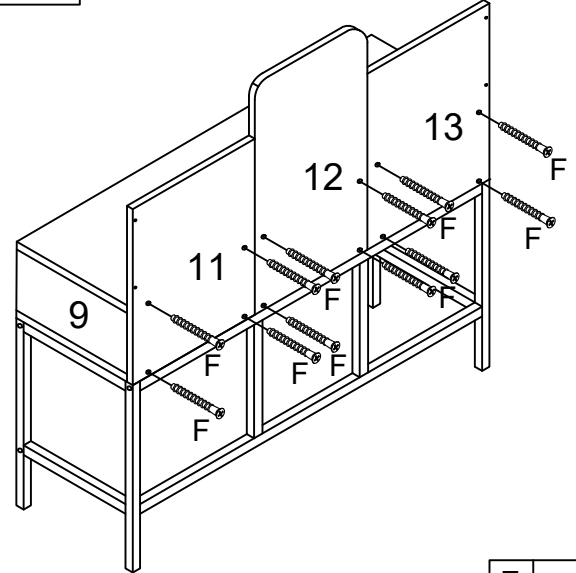
D	x6
E	x6

Step 7



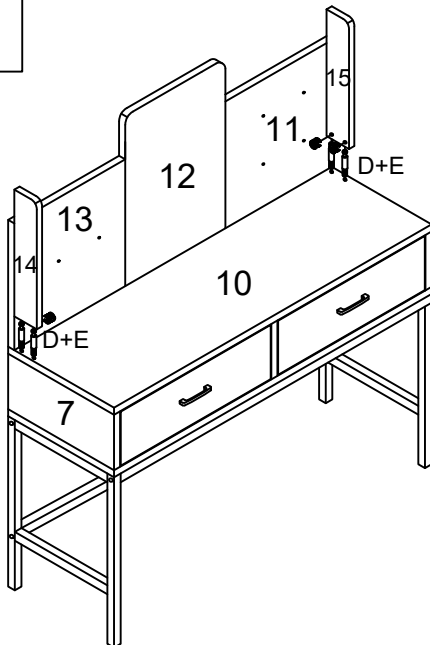
G	x4
---	----

Step 8



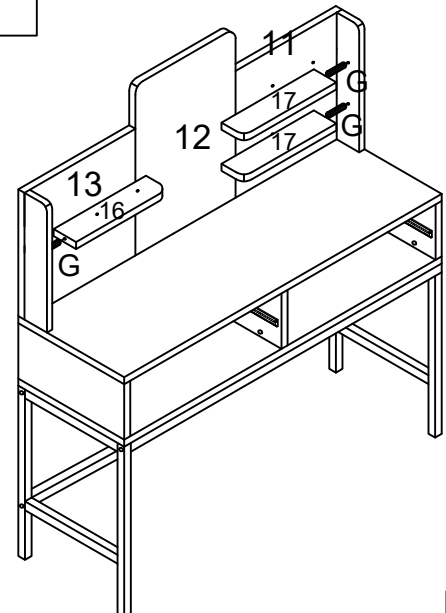
F	x12
---	-----

Step 9



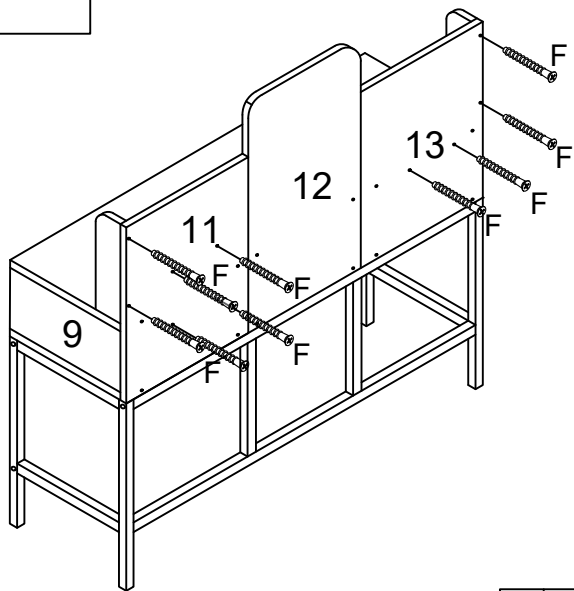
D	x4
E	x4

Step 10



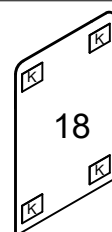
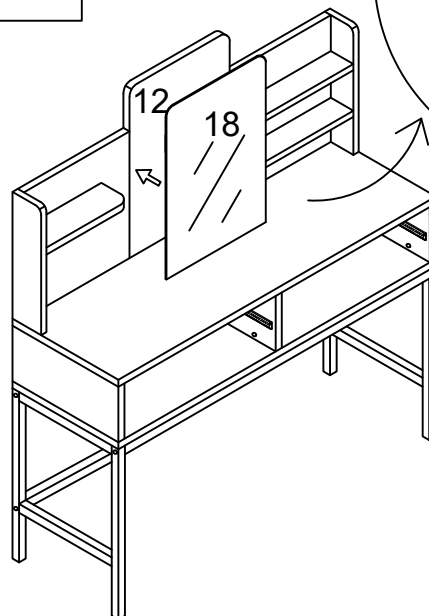
G	x3
---	----

Step 11



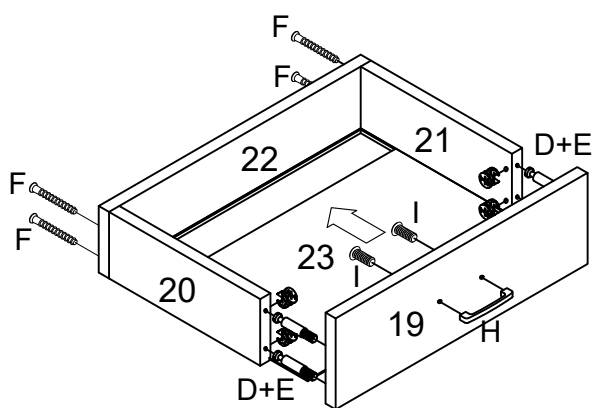
F x10

Step 12



GLUE H TO THE FOUR CORNERS AND MIDDLE OF THE MIRROR RESPECTIVELY

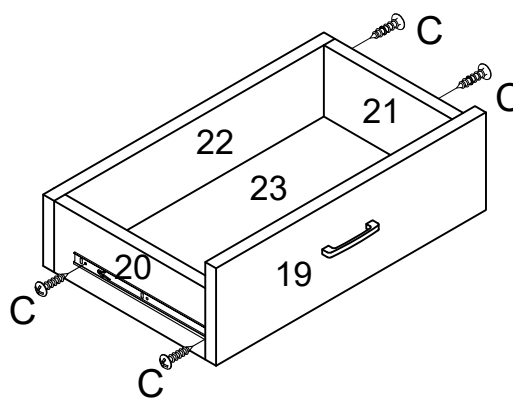
Step 13



FOLLOW THIS STEP TO INSTALL THE SECOND DRAWER AS WELL

D	x8	F	x8
E	x8	I	x4

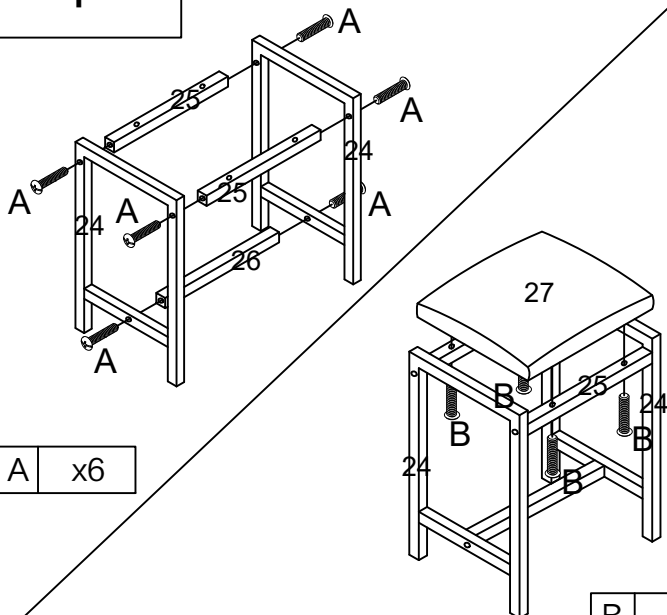
Step 14



FOLLOW THIS STEP TO INSTALL THE GUIDE RAILS OF THE TWO DRAWERS IN SEQUENCE

C x8

Step 15



A x6

B x4

complete

