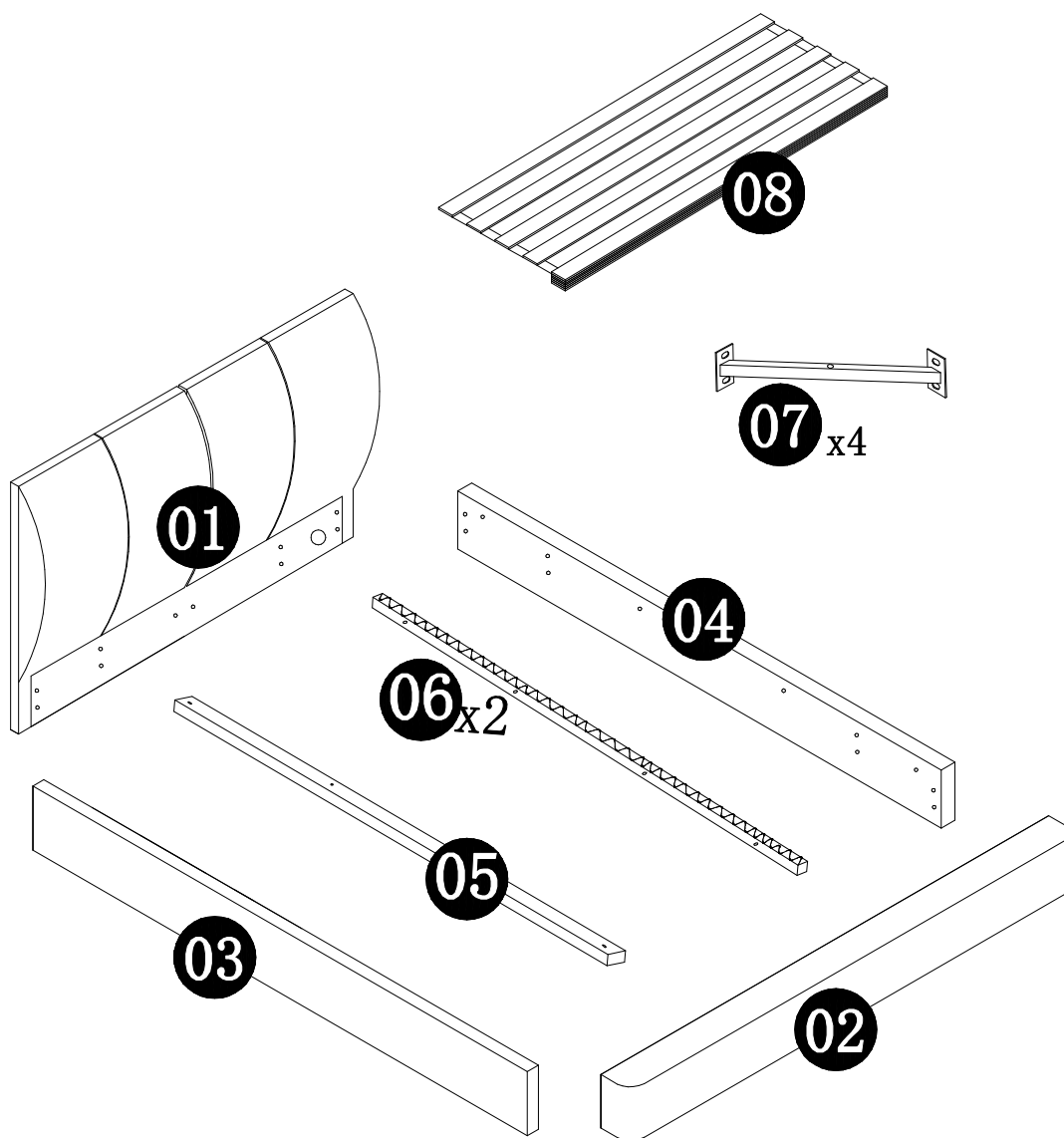
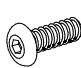
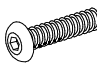
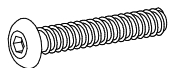





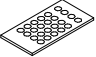

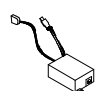


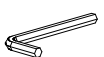


234-000012

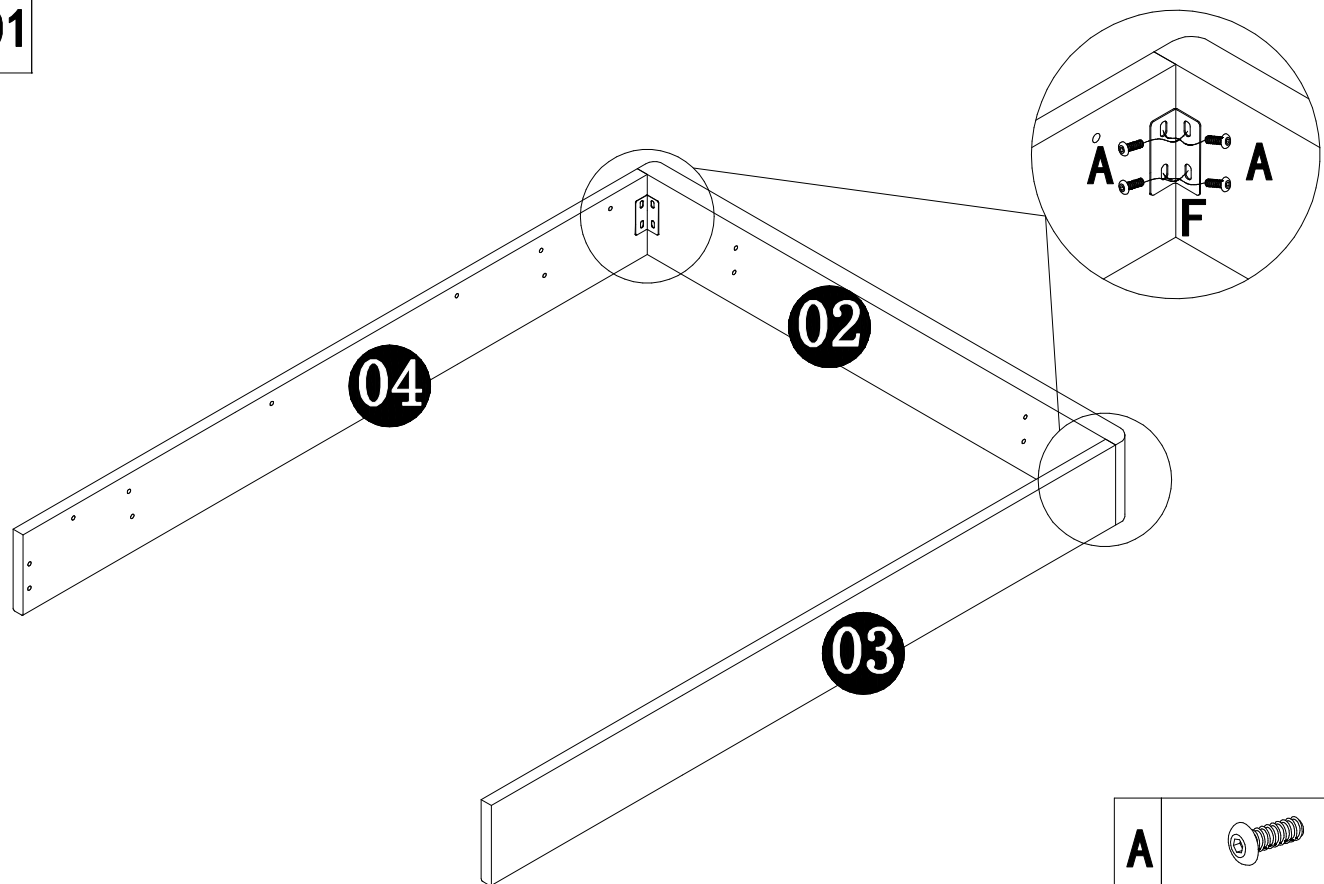


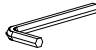
<b>A</b>	 8*20	<b>32</b>
<b>B</b>	 8*40	<b>4</b>
<b>C</b>	 8*50	<b>16</b>
<b>D</b>		<b>2</b>
<b>E</b>		<b>1</b>



<b>F</b>		<b>4</b>
<b>G</b>	 21cm	<b>4</b>
<b>H</b>	 24cm	<b>3</b>
<b>I</b>		<b>1</b>
<b>J</b>		<b>1</b>

<b>K</b>		<b>1</b>
<b>L</b>		<b>1</b>
<b>M</b>		<b>1</b>
<b>N</b>		<b>1</b>

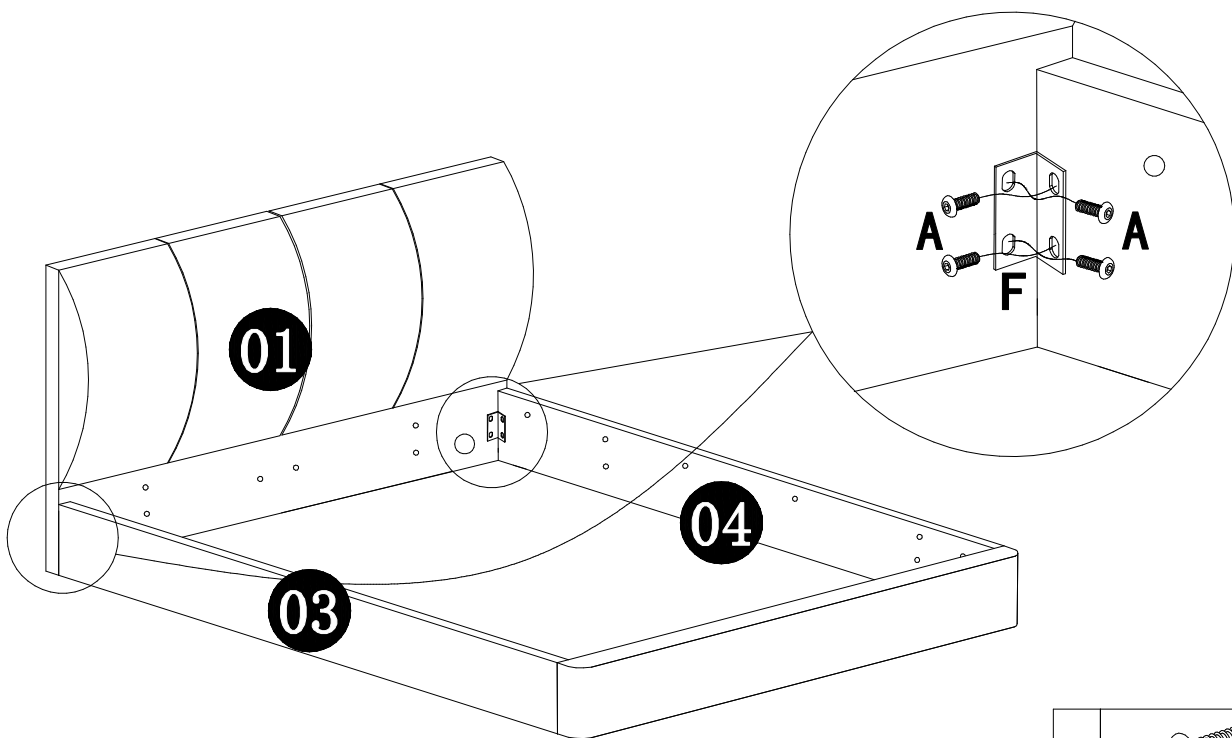
01






<b>N</b>		<b>1</b>
----------	---	----------

<b>A</b>	 8*20	<b>8</b>
<b>F</b>		<b>2</b>

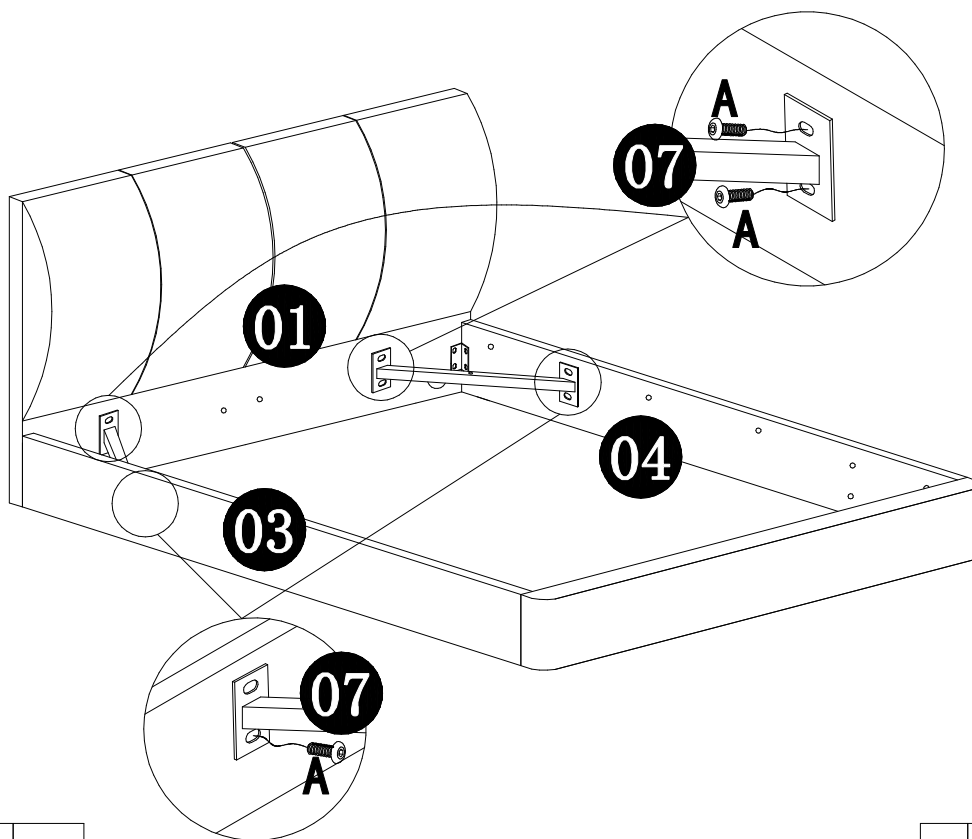
02




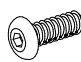
<b>N</b>		<b>1</b>
----------	---	----------

<b>A</b>	 8*20	<b>8</b>
<b>F</b>		<b>2</b>

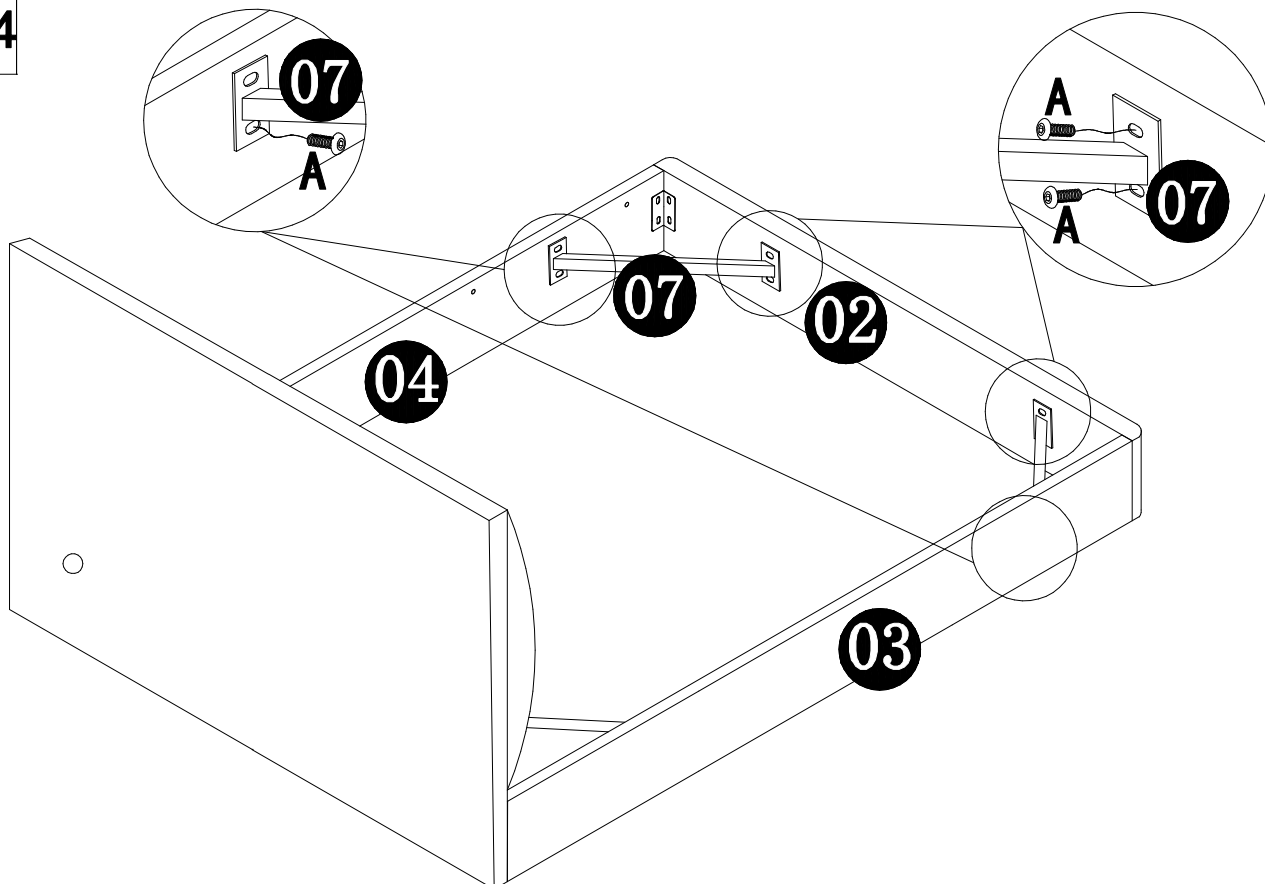
03




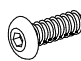
N		1
---	---	---

A		6	8*20
---	---	---	------

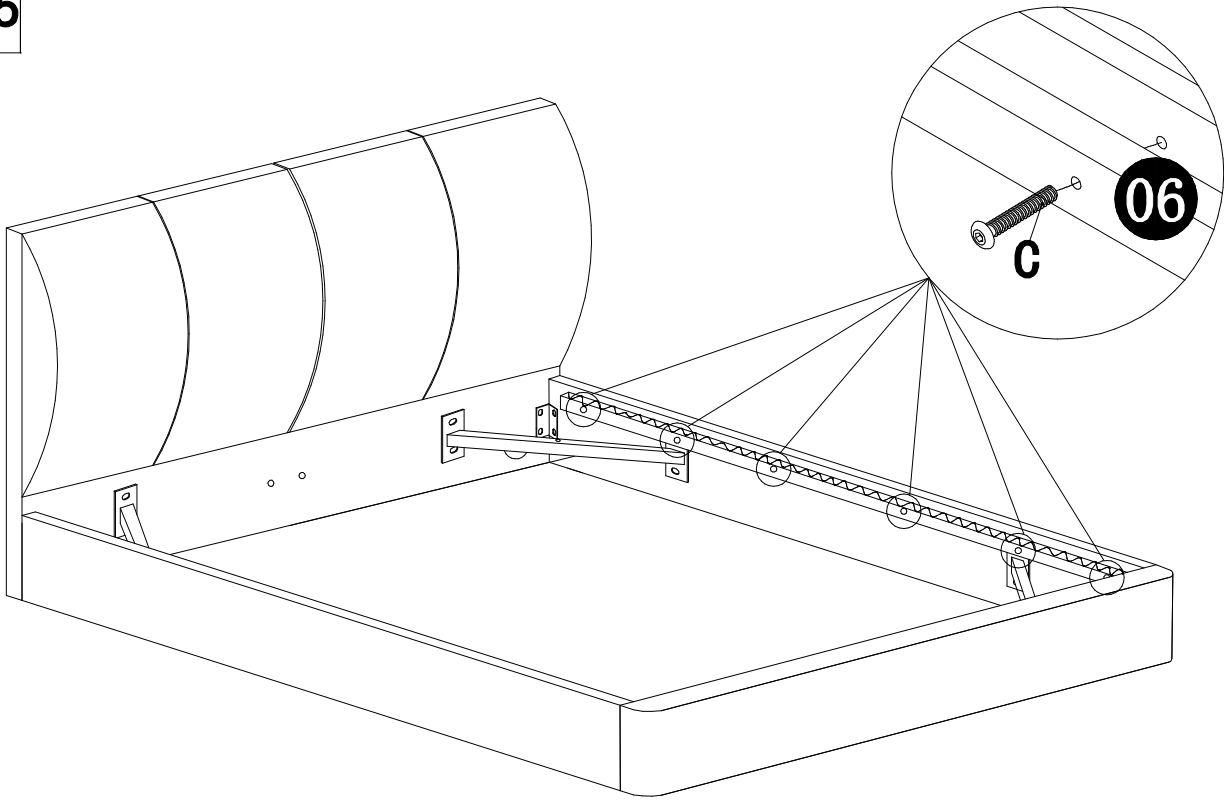
04



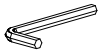
N		1
---	---	---

A		6	8*20
---	---	---	------

05

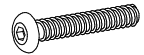


N



1

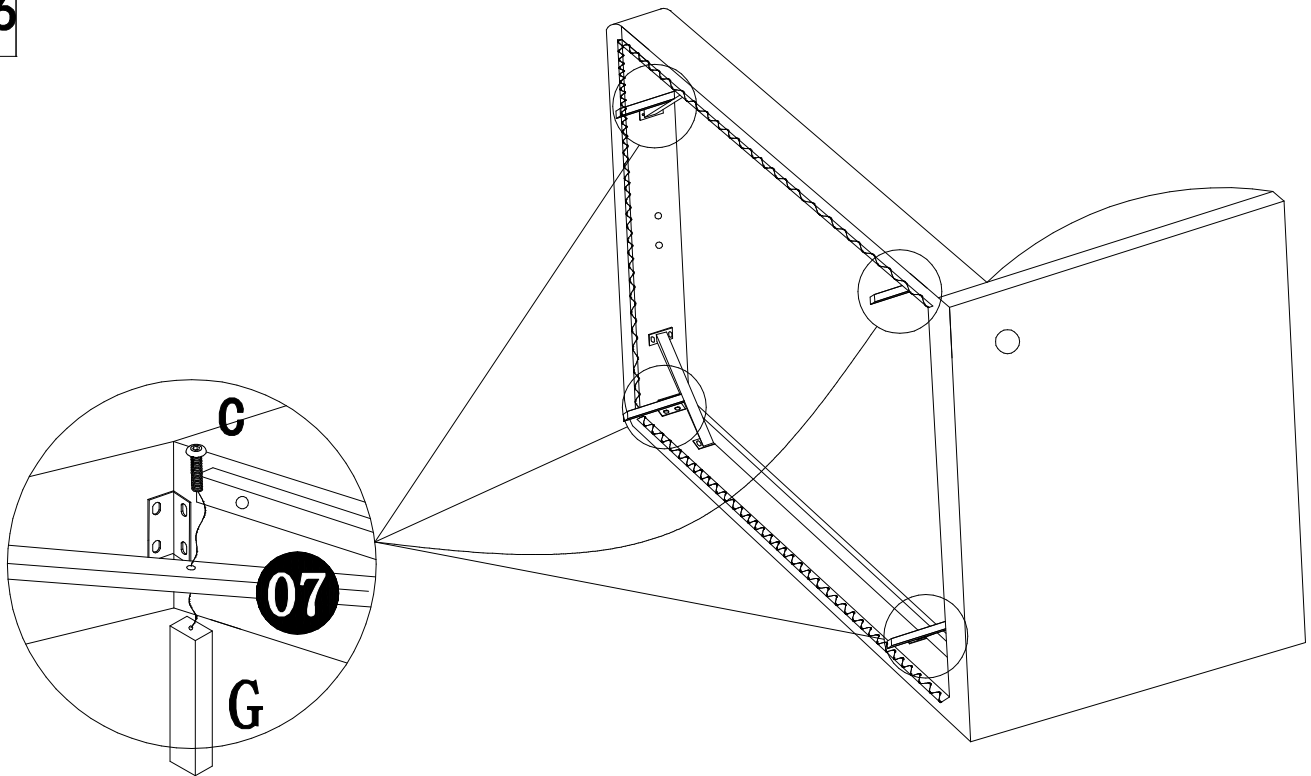
C



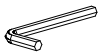
8\*50

12

06

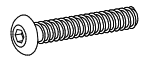


N



1

C



8\*50

4

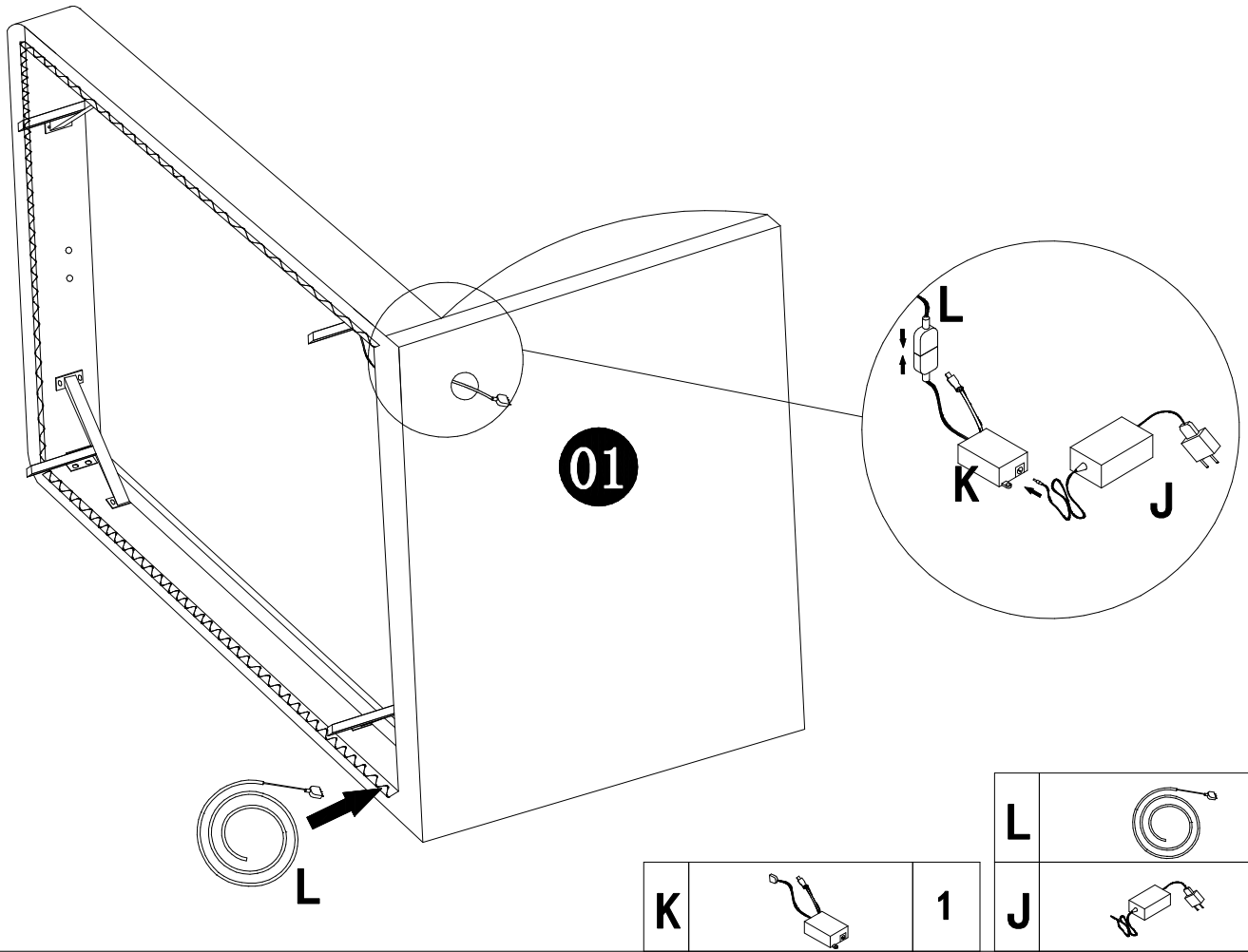
G



21cm

4

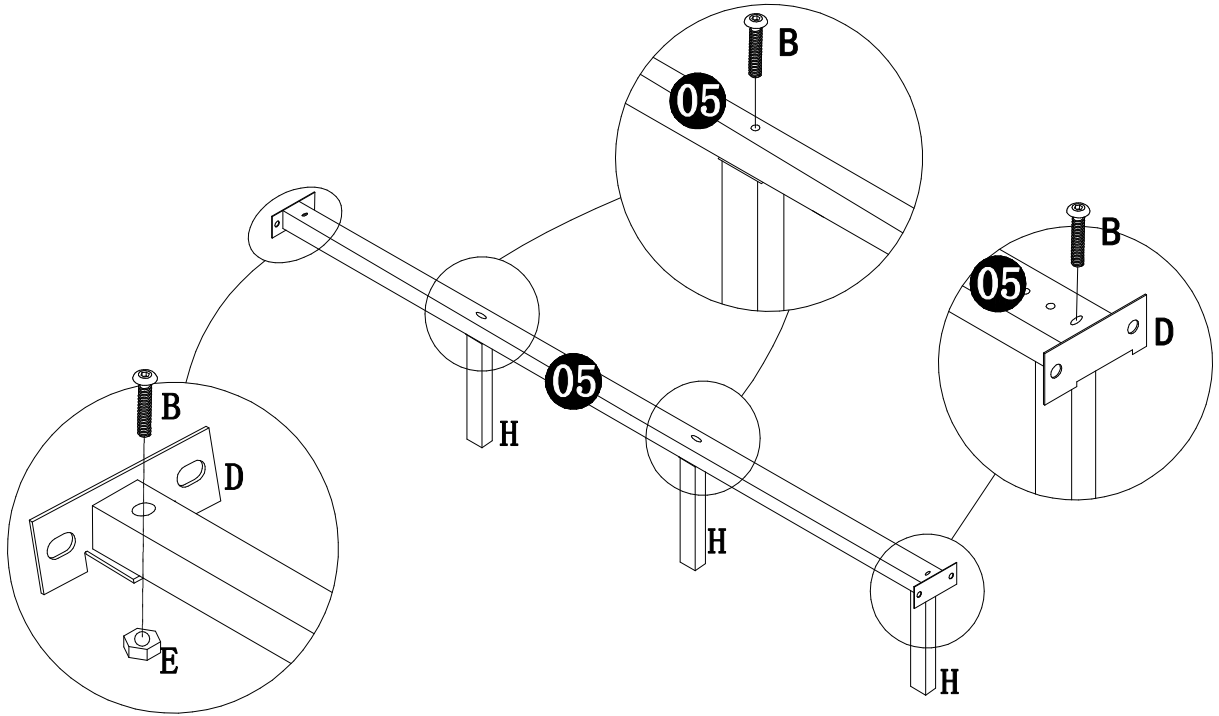
07



K		1
---	--	---

L		1
J		1

08



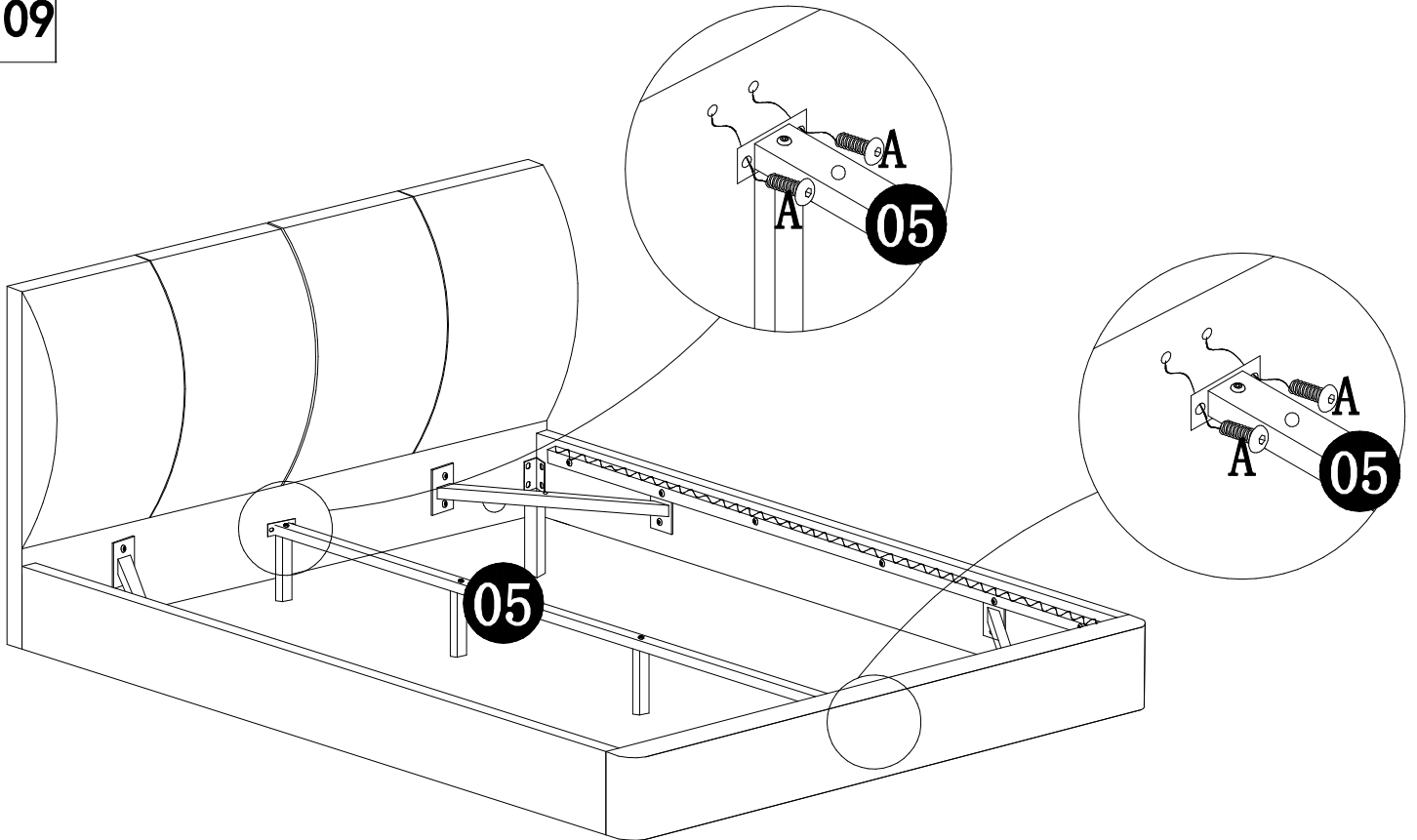
M		1
N		1

D		2	E		1
H		3	B		4

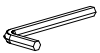
24cm

8\*40

09



N



1

A



8\*20

4

10

