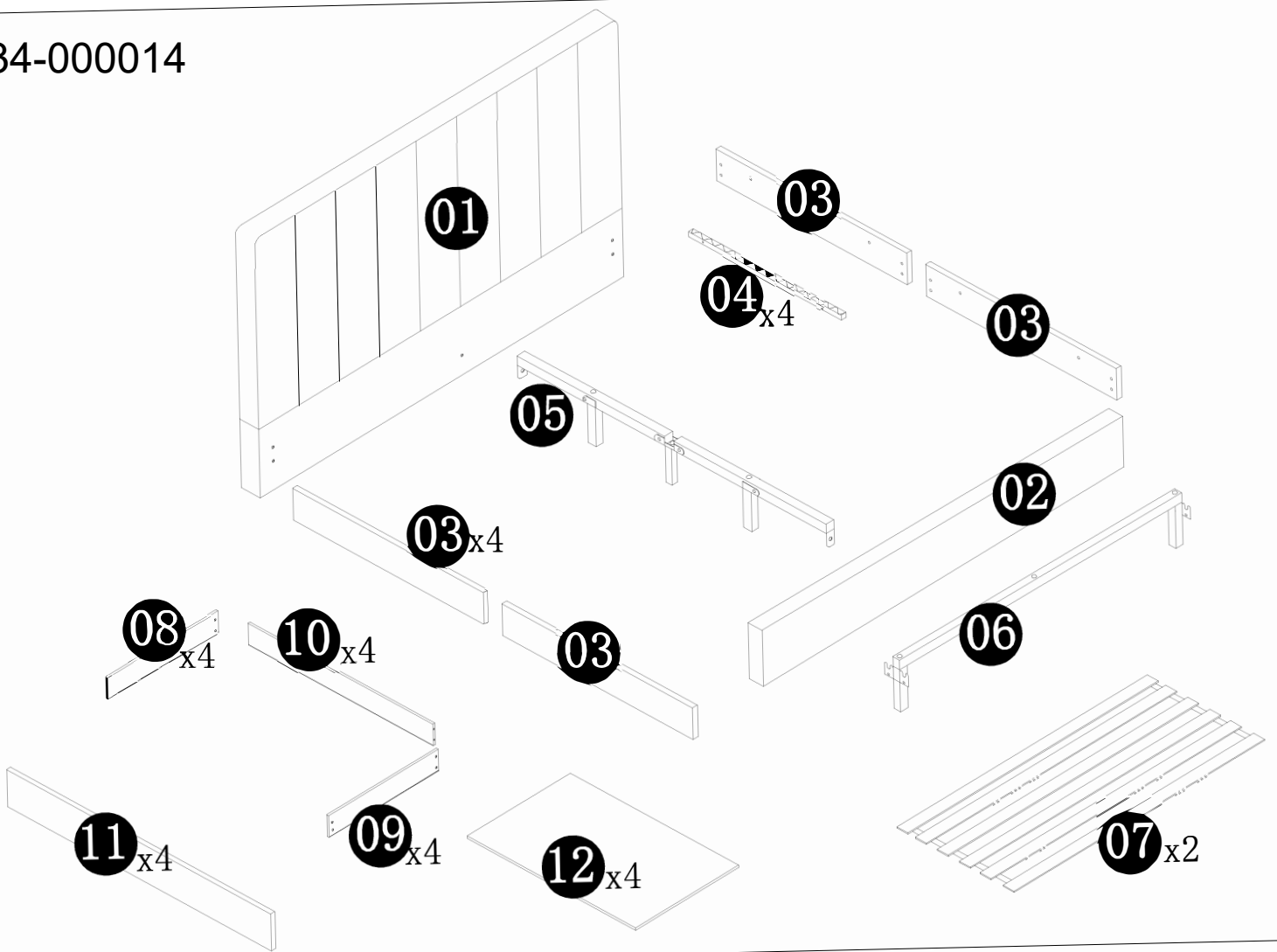


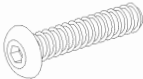




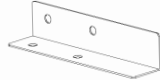

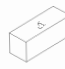


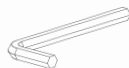



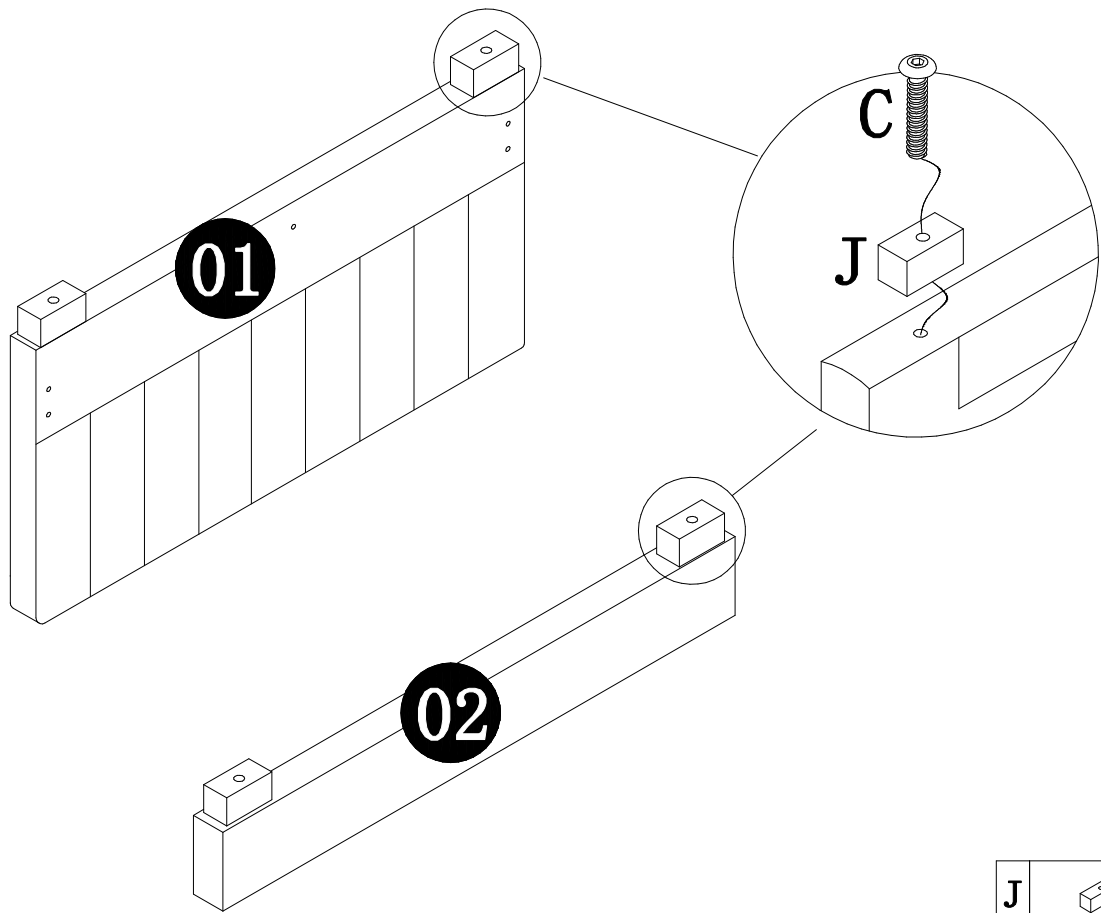
234-000014





A		8*15	26
B		8*40	8
C		8*50	4
D		6*45	5
E		4*25	16
F		4*14	32
G		4*10	32

H			4
I			16
J		4.5cm	4
R		1.0	16
S			1
T		M6	1
U		M8	1

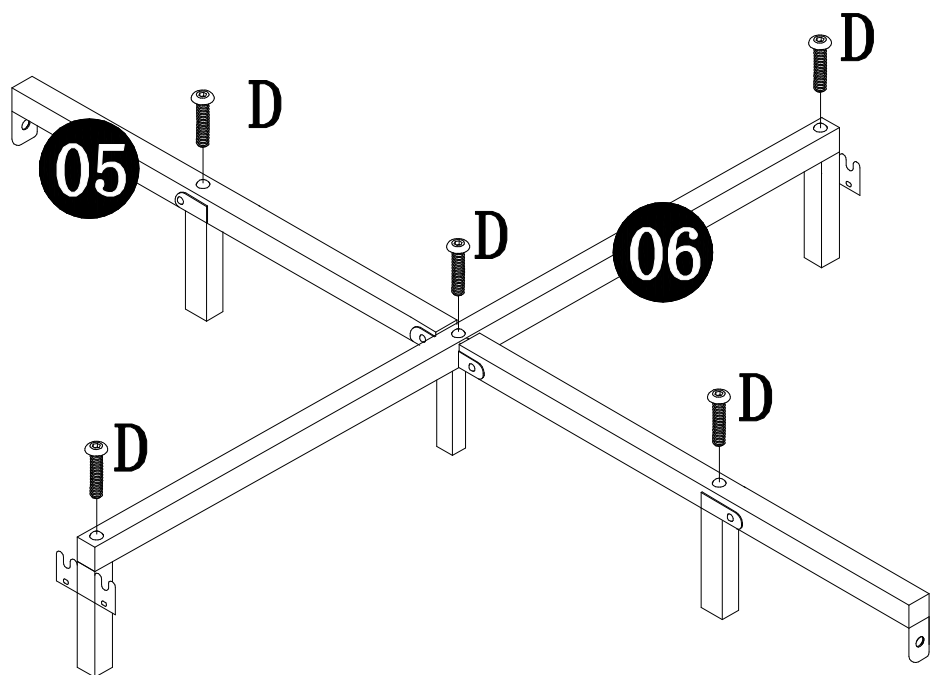
01




J	 4.5cm	4
C	 8*50	4

U	 M6	1
---	--	---

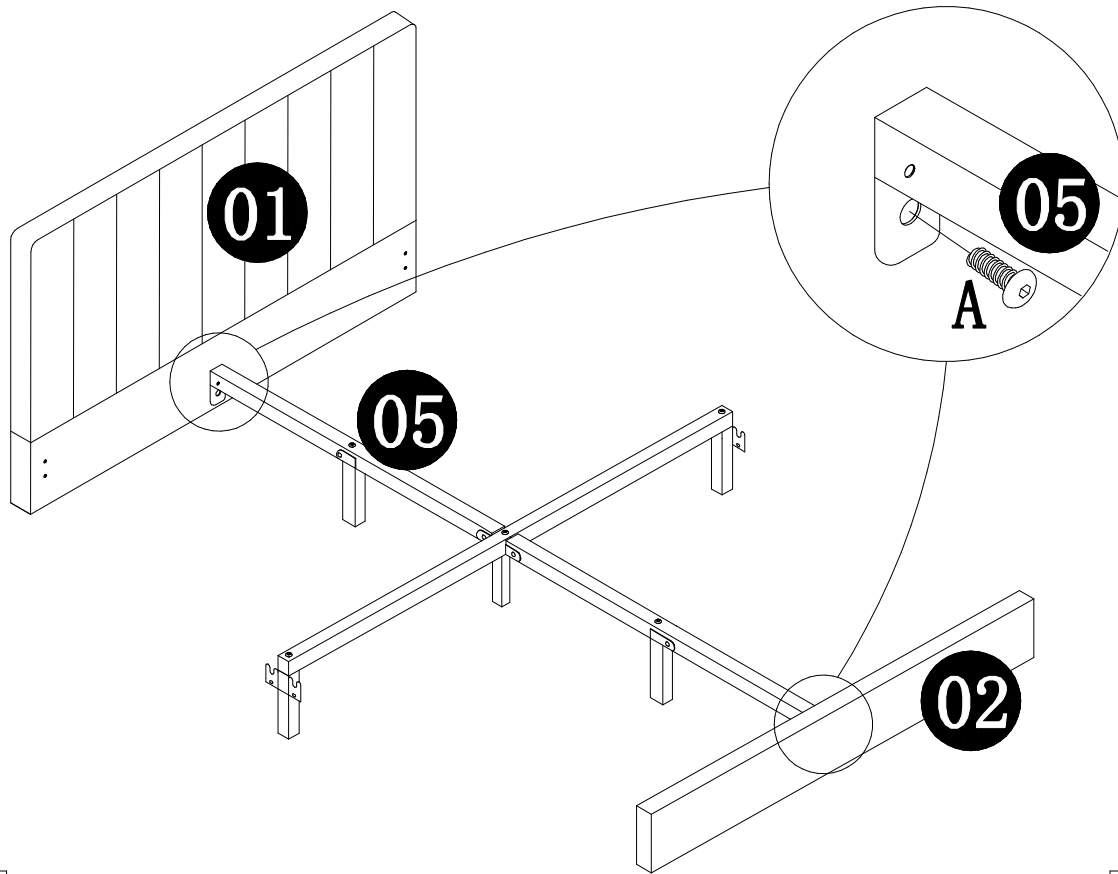
02



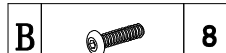
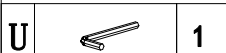
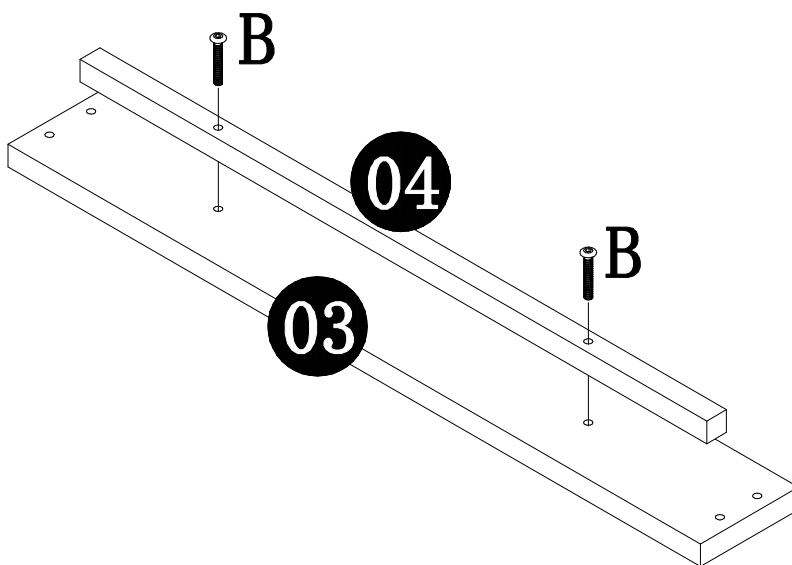
D	 6*45	5
---	---	---

T	 M6	1
---	--	---

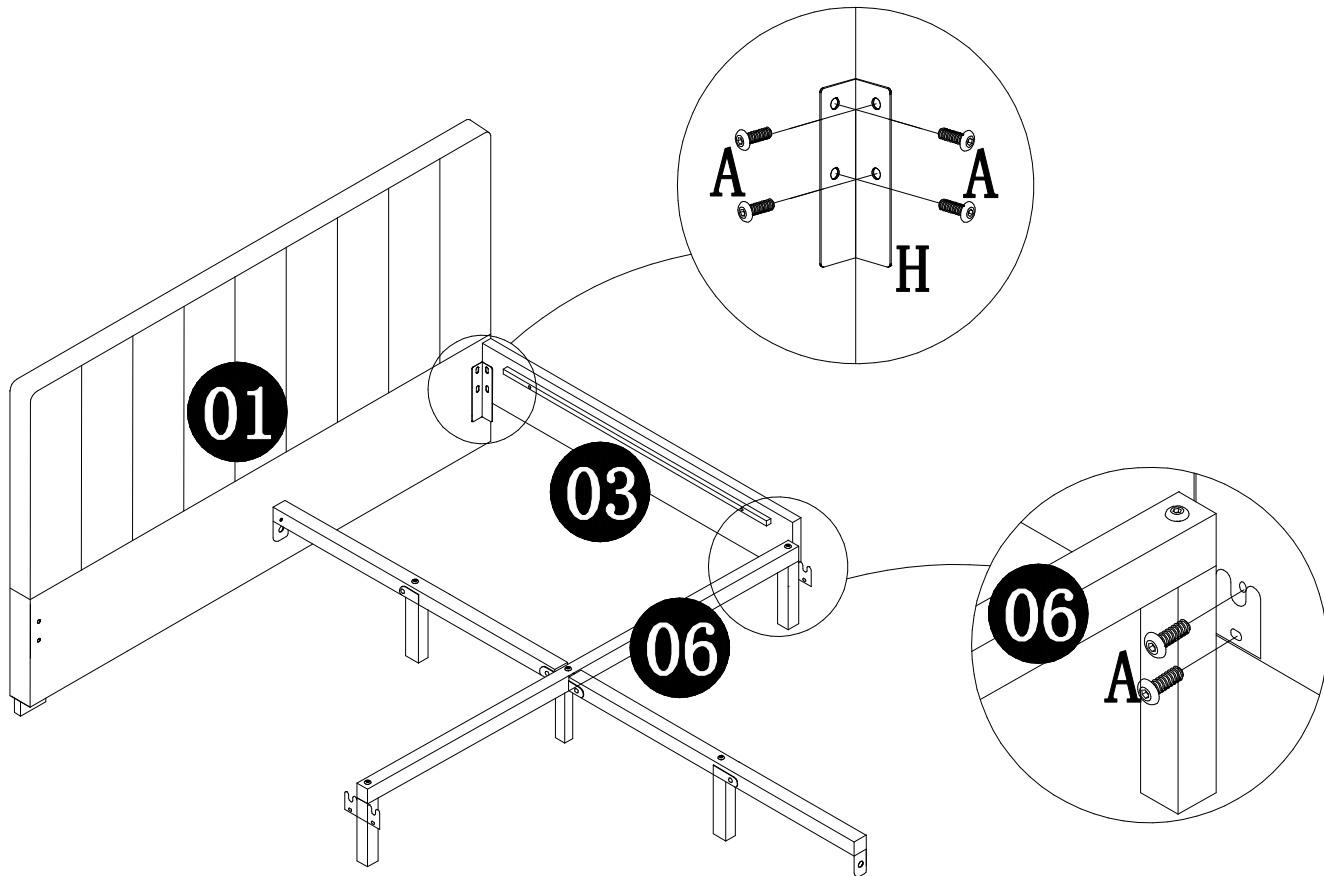
03






04



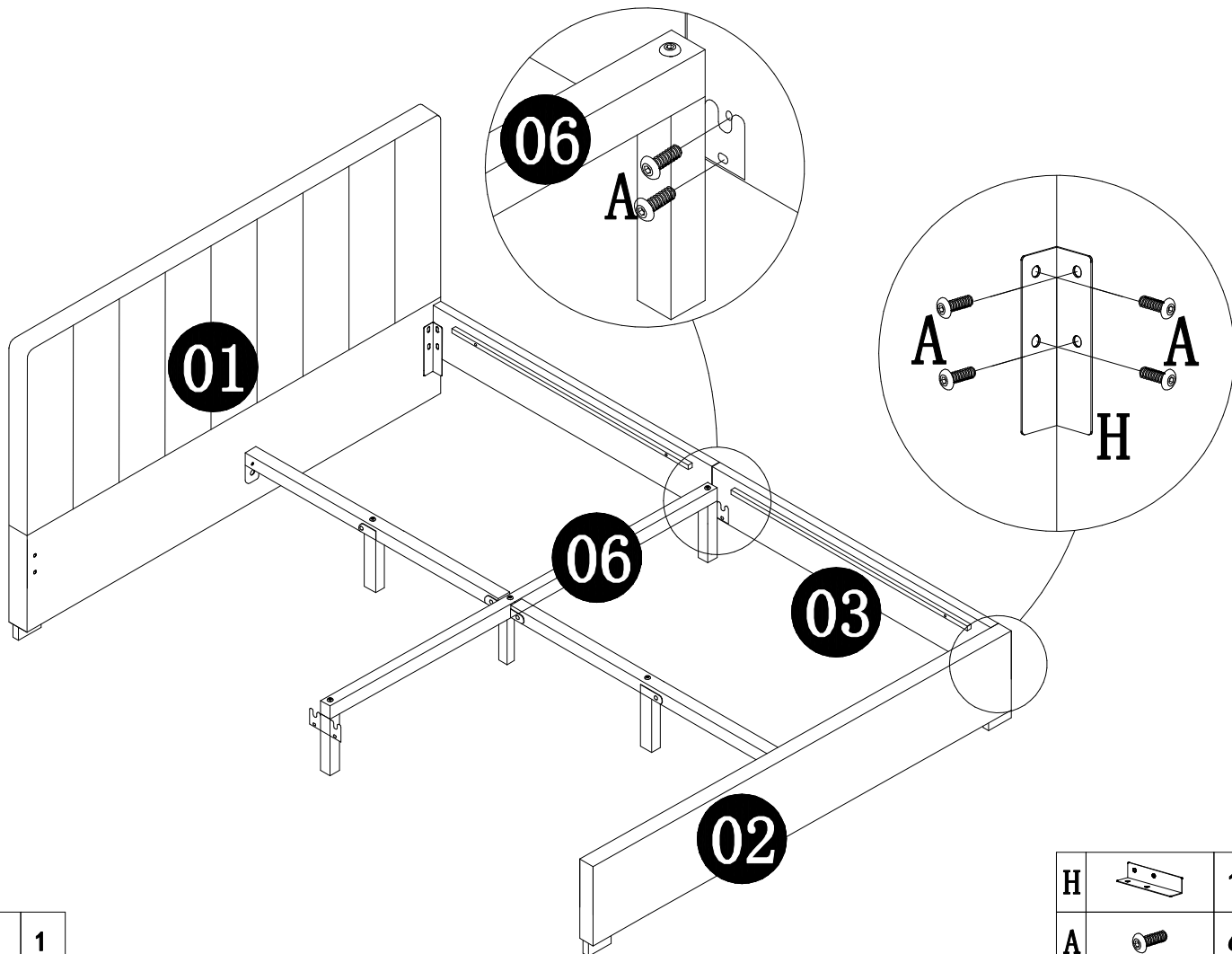
05






H		1
A		6

U		1
---	--	---

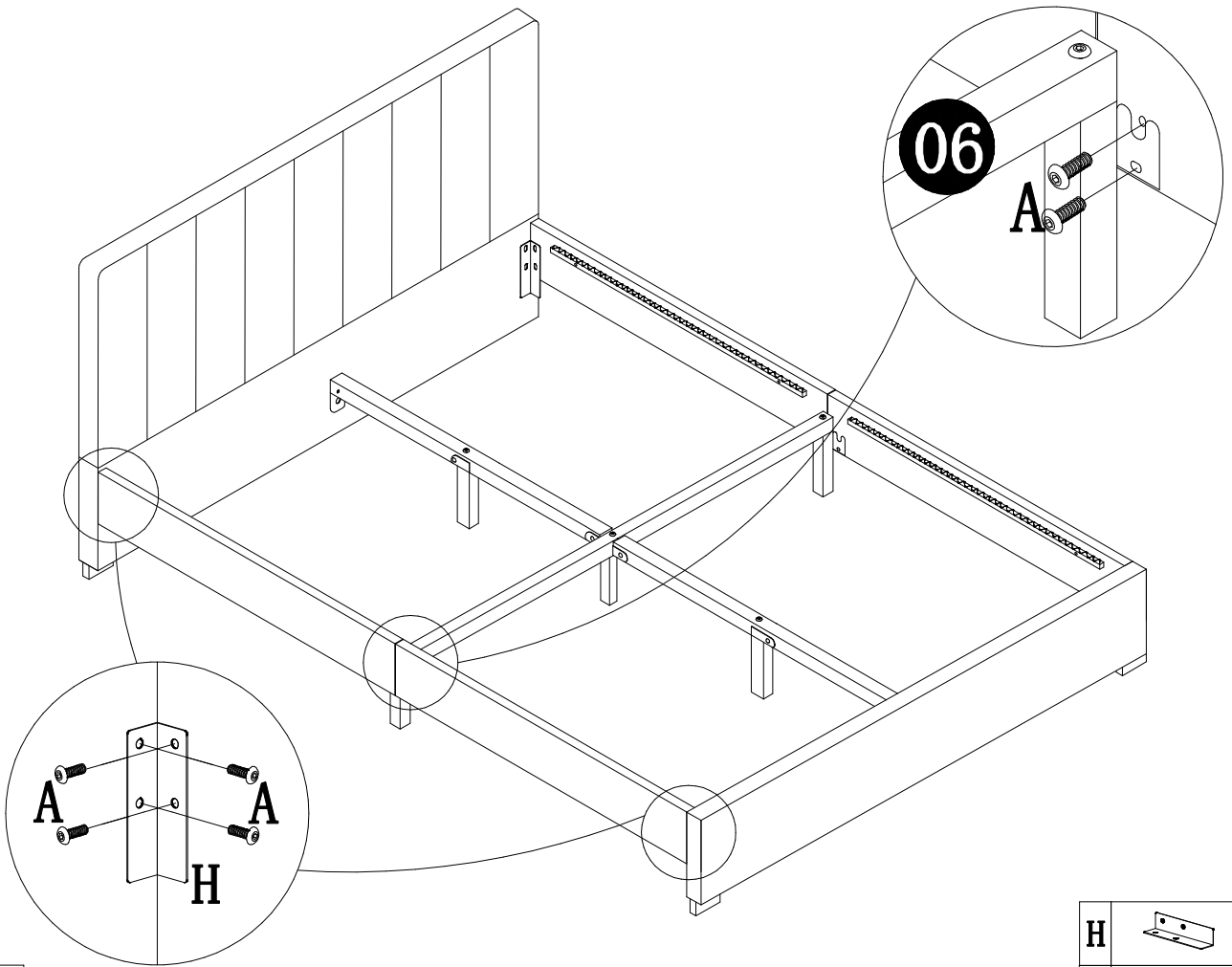
06

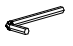




H		1
A		6

U		1
---	--	---

07

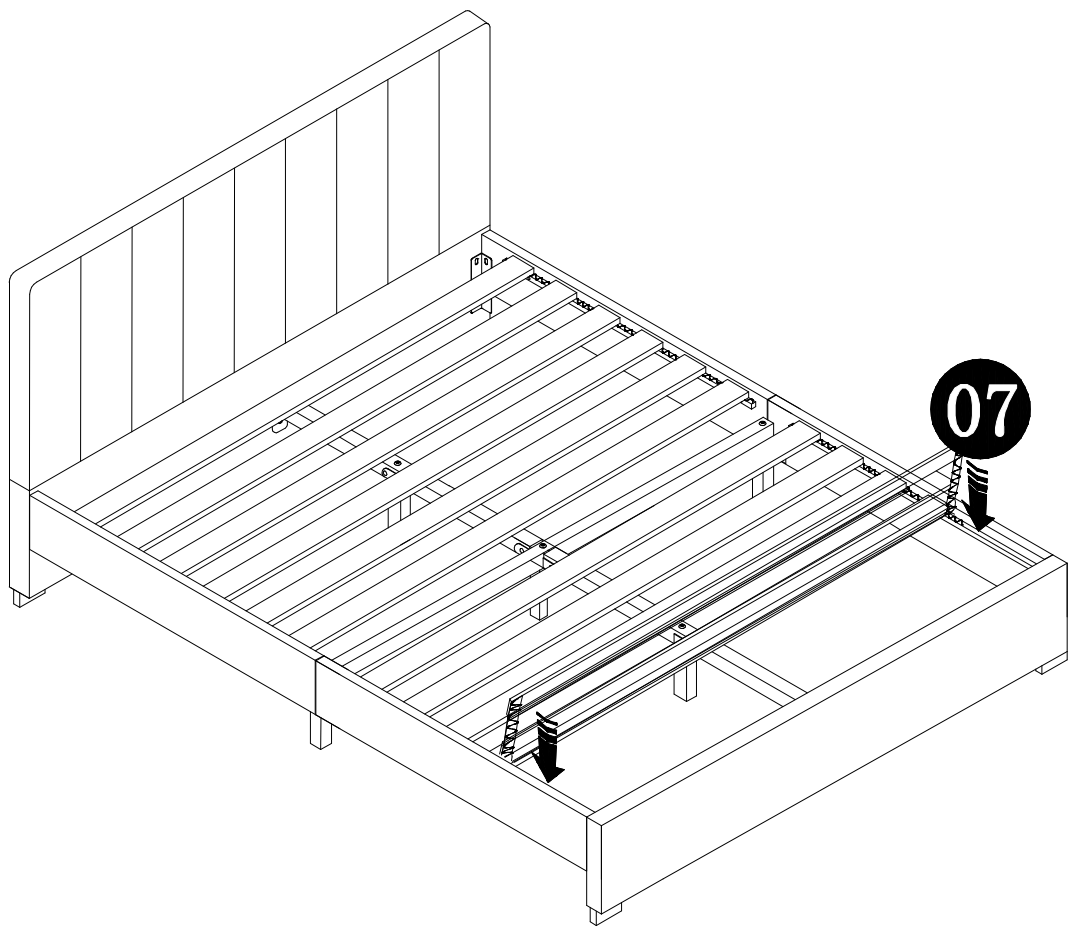


U		1
---	--	---

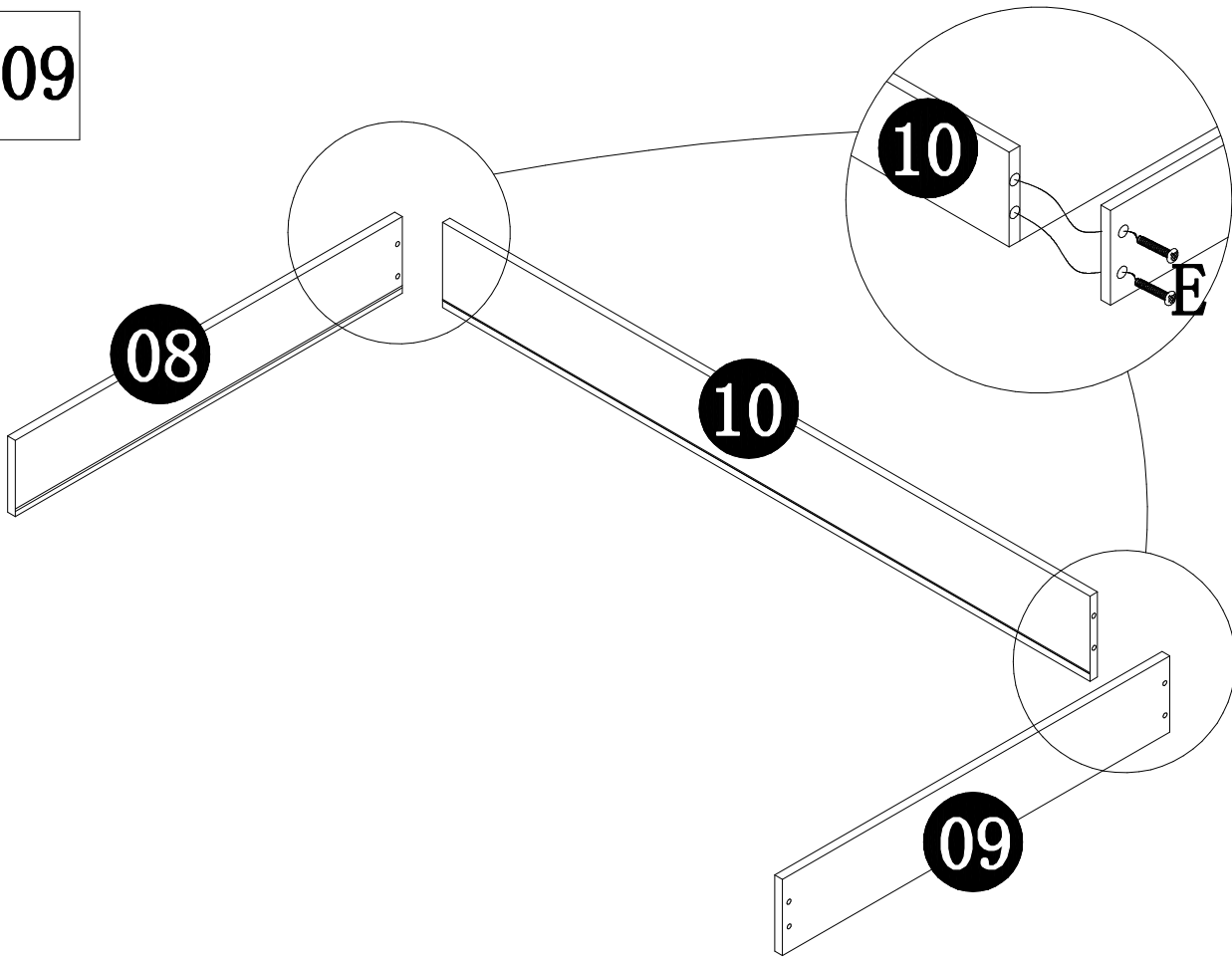
H		2
A		12


8\*15

08



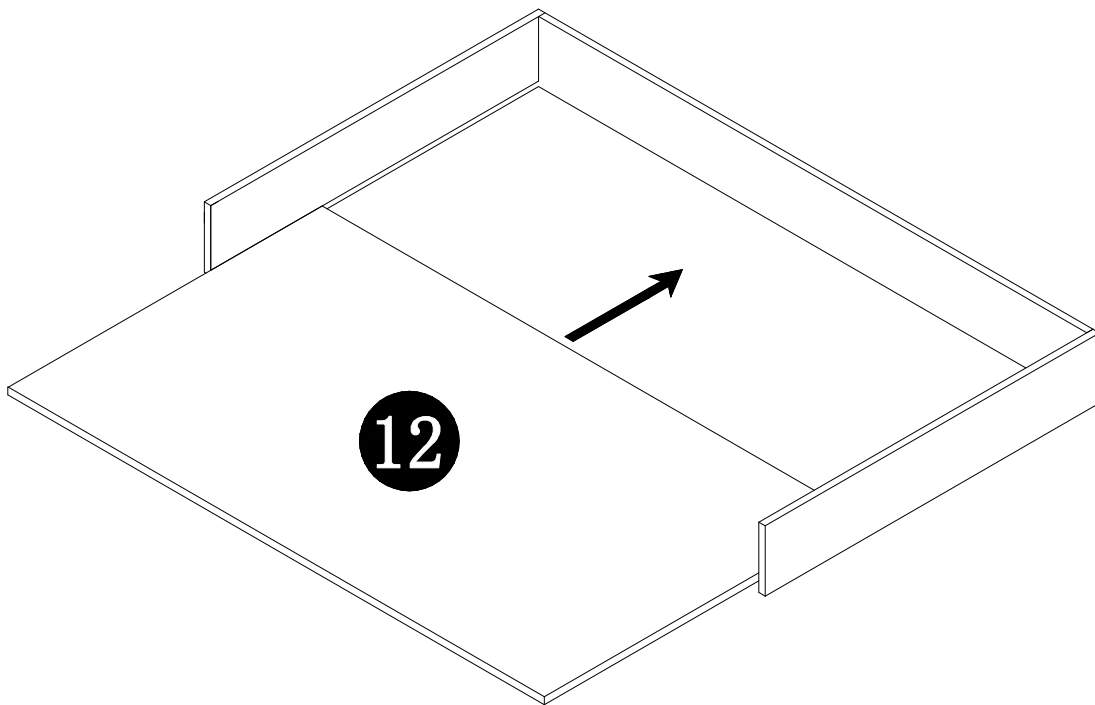
09



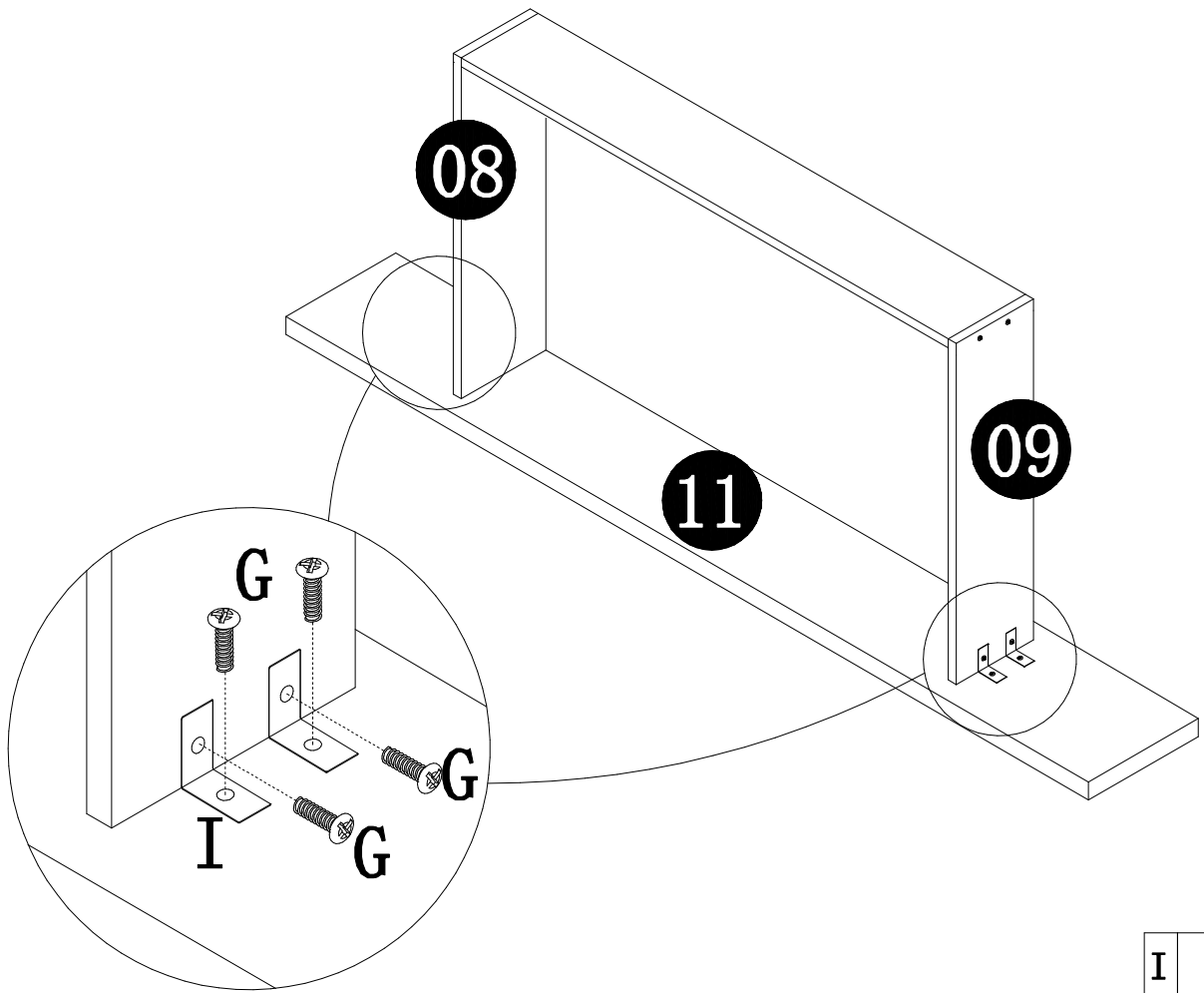
S		1
---	--	---

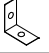

E		16
---	---	----


10



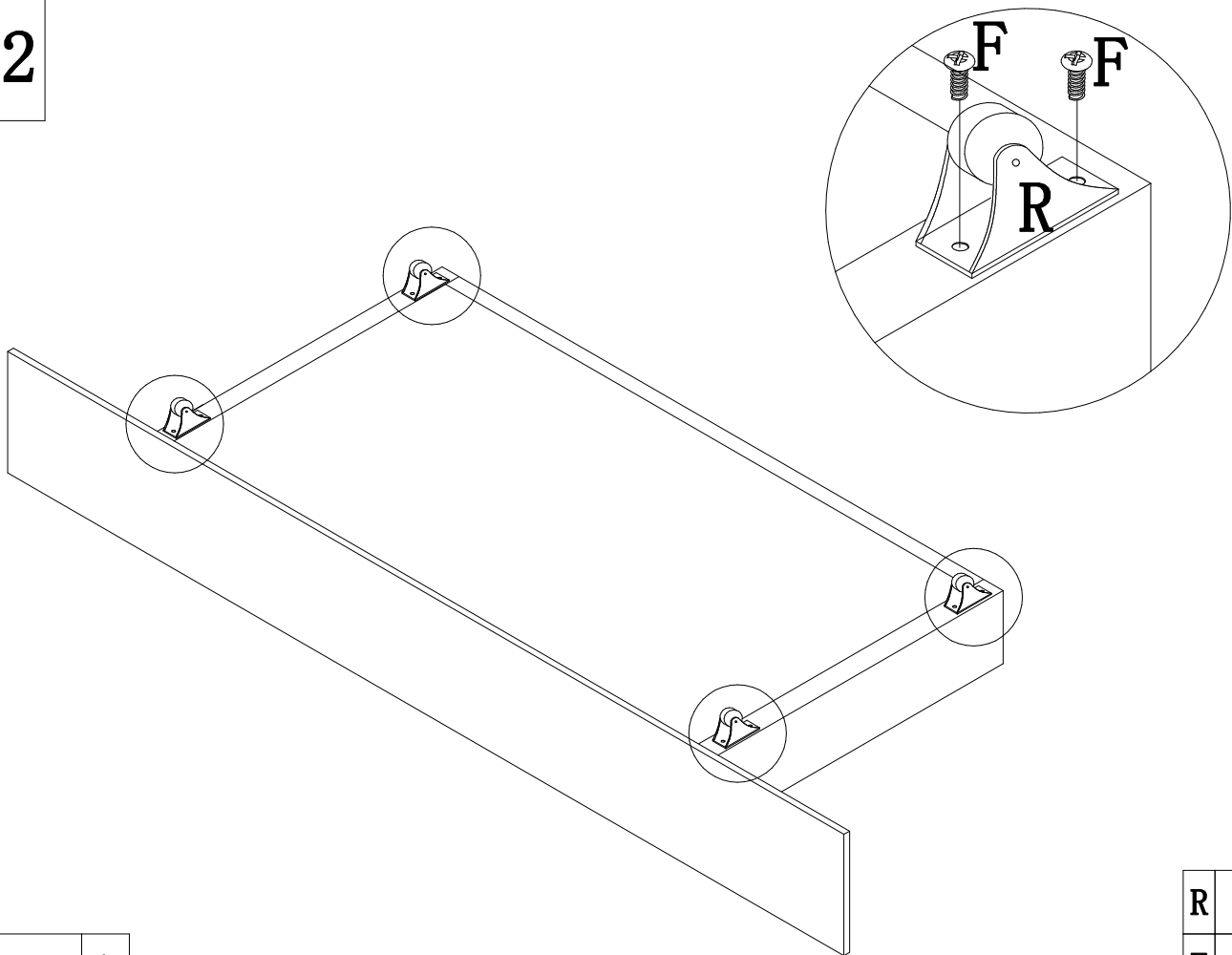
11






I		16
G		32

S		1
---	--	---

12



R		16
F		32

S		1
---	--	---

