

ASSEMBLING INSTRUCTION

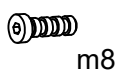
1 X1PC



2 X4PCS



A X12PCS



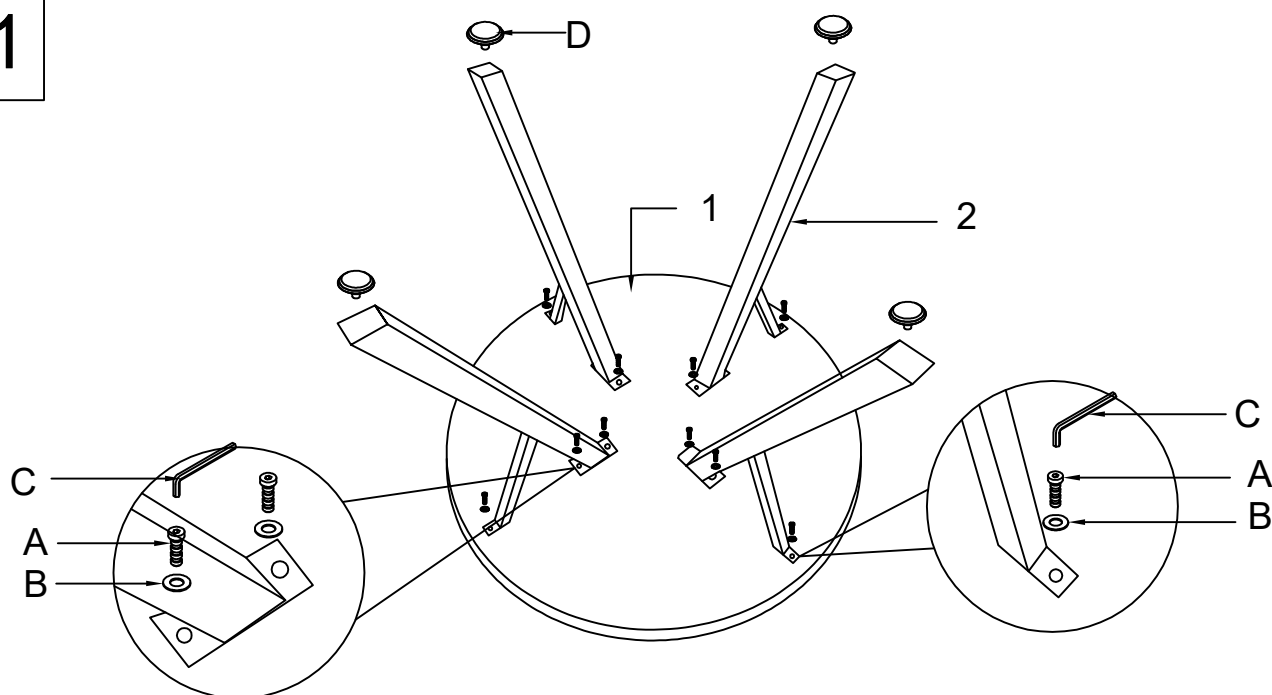
B X12PCS



C X1PC



D X4PCS

**1****2**