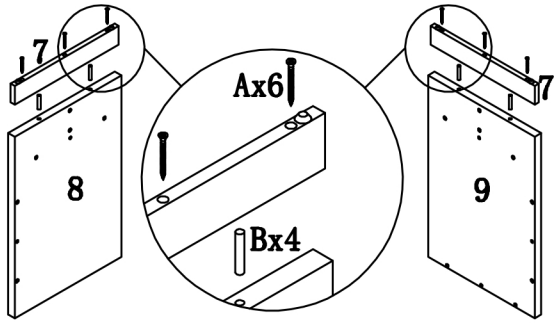
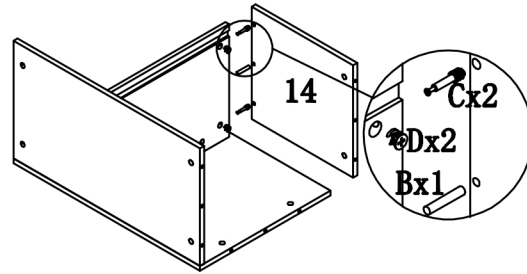


		FINISH	A	$\phi 4 \times 50$	24 PCS
G		2 PCS	B		26 PCS
H	$\phi 4 \times 30$ 	8 PCS	C		44 PCS
I		1 PCS	D		44 PCS
L		2 PCS	E		2 PCS
M	$M4 \times 18$ 	4 PCS	K	$\phi 3.5 \times 14$ 	34 PCS
			F		1 PCS

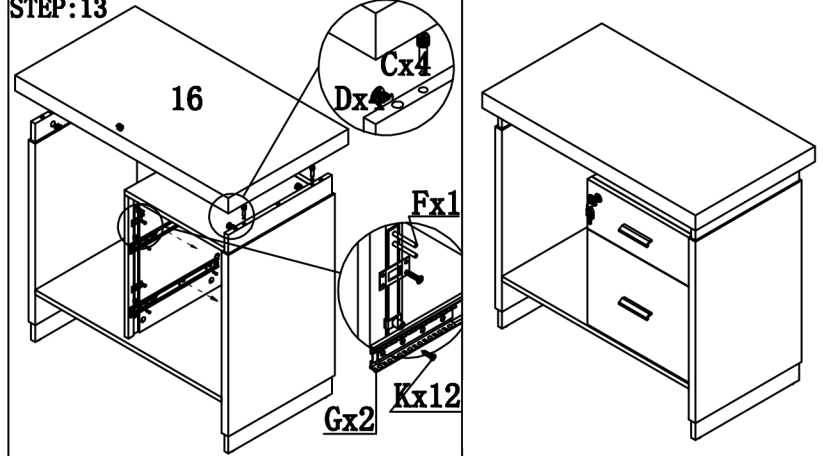
STEP:7



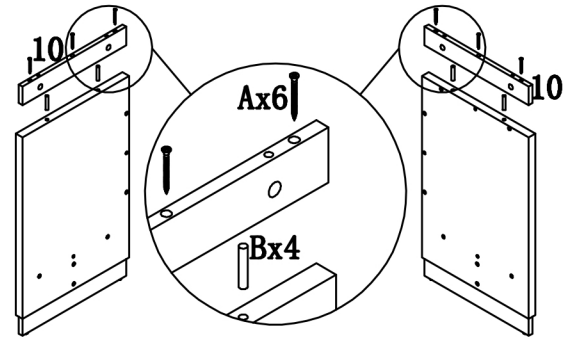
STEP:10



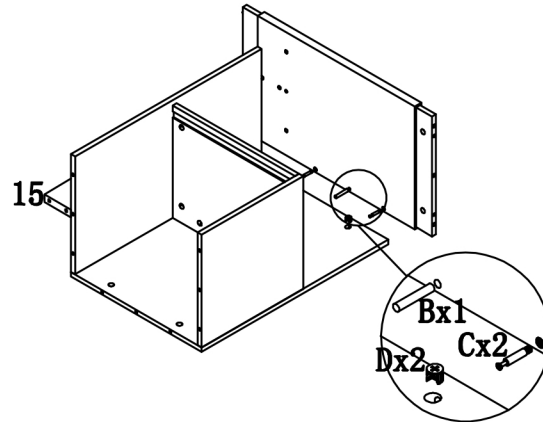
STEP:13



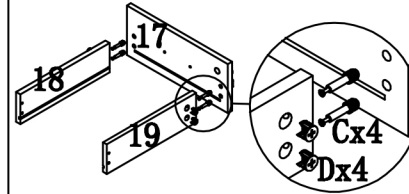
STEP:8



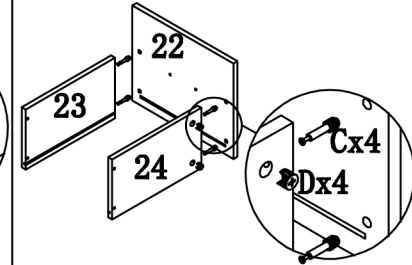
STEP:11



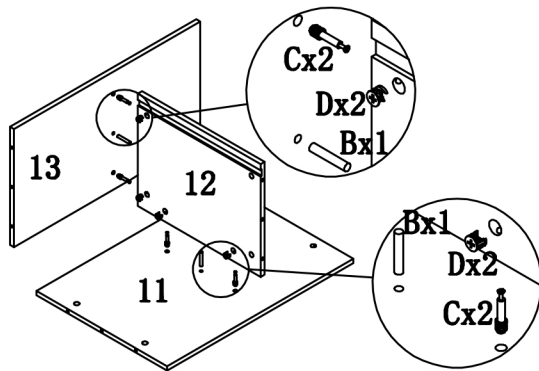
STEP:14



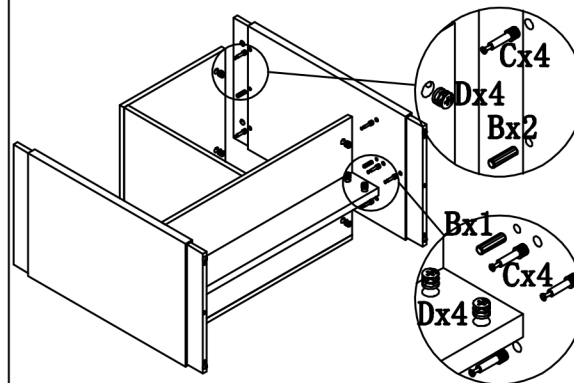
STEP:17



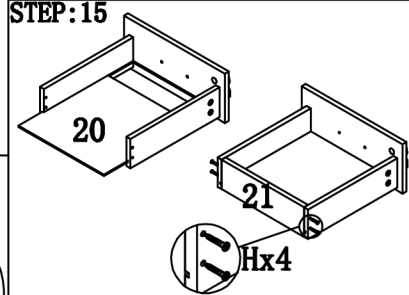
STEP:9



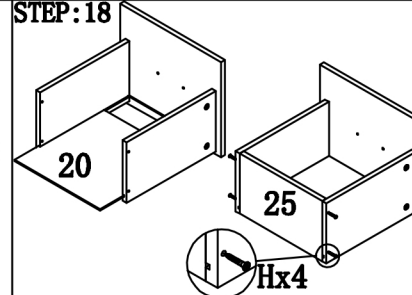
STEP:12



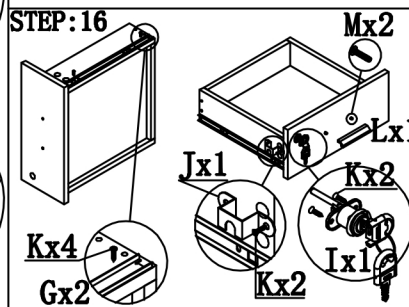
STEP:15



STEP:18



STEP:16



STEP:19

