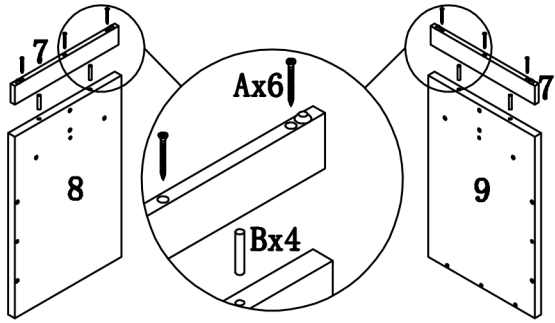
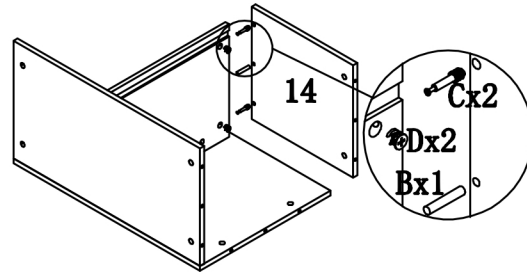


		FINISH	A	\downarrow $\phi 4 \times 50$	24 PCS
G		2 PCS	B		26 PCS
H		8 PCS	C		40 PCS
I		1 PCS	D		40 PCS
L		2 PCS	E		2 PCS
M		4 PCS	F		1 PCS
J		2 PCS			
K		34 PCS			

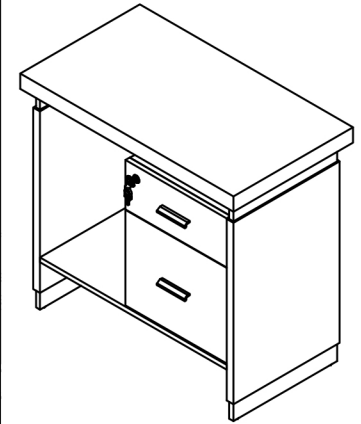
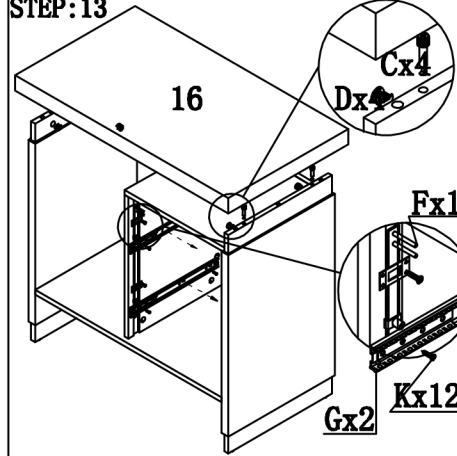
STEP:7



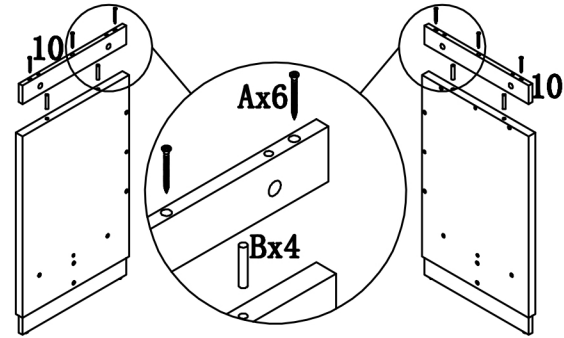
STEP:10



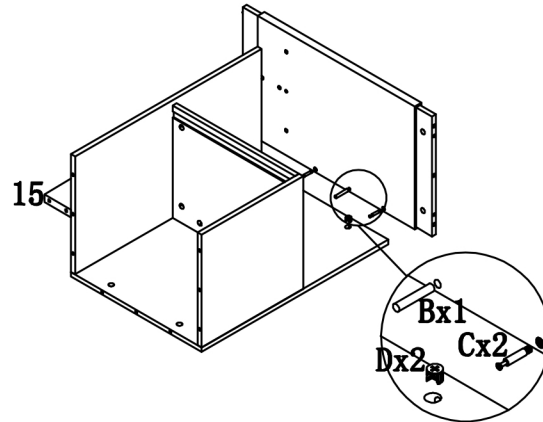
STEP:13



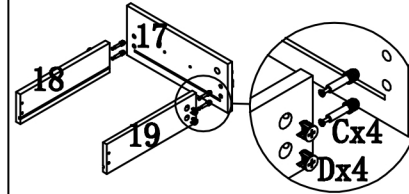
STEP:8



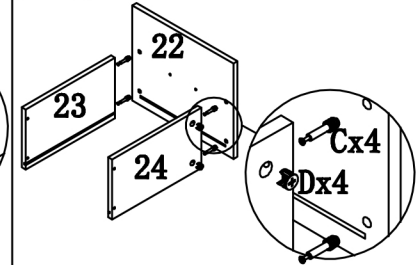
STEP:11



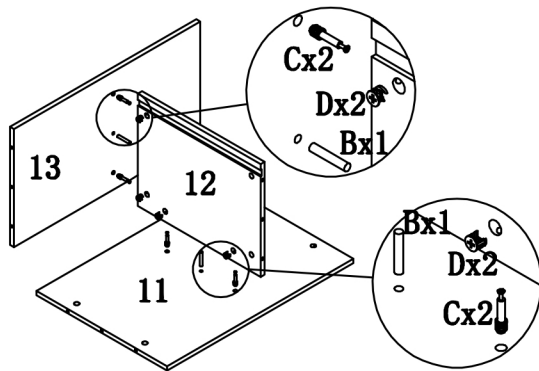
STEP:14



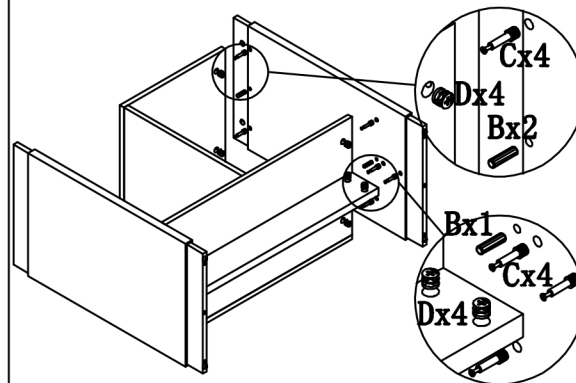
STEP:17



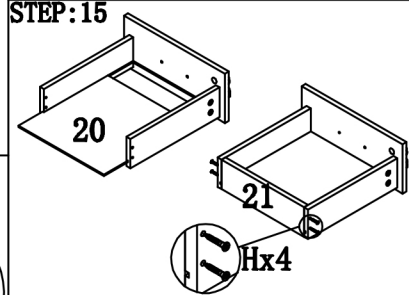
STEP:9



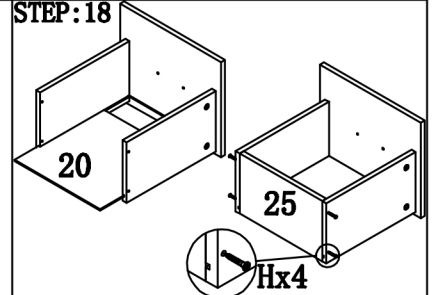
STEP:12



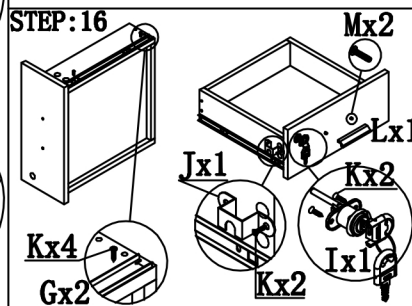
STEP:15



STEP:18



STEP:16



STEP:19

