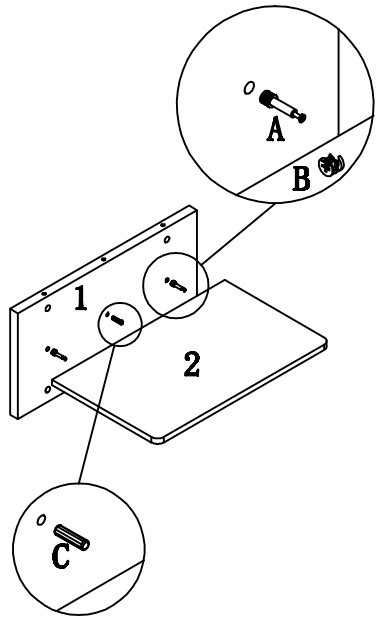
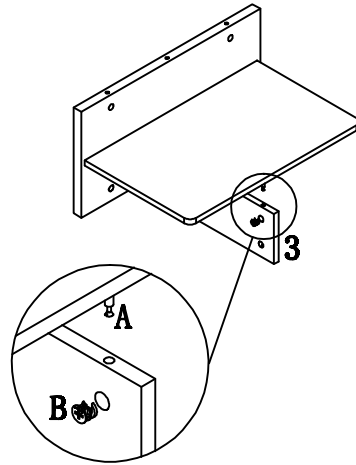


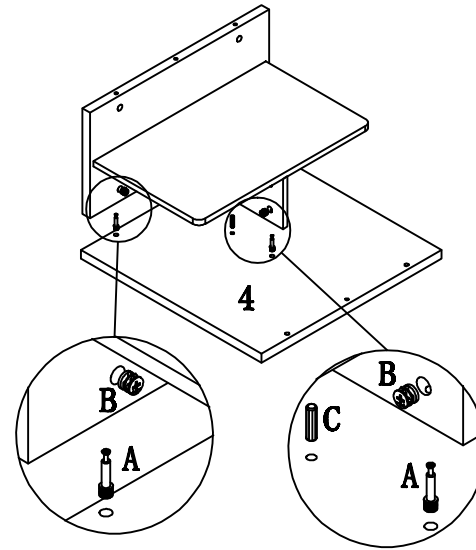
STEP:1



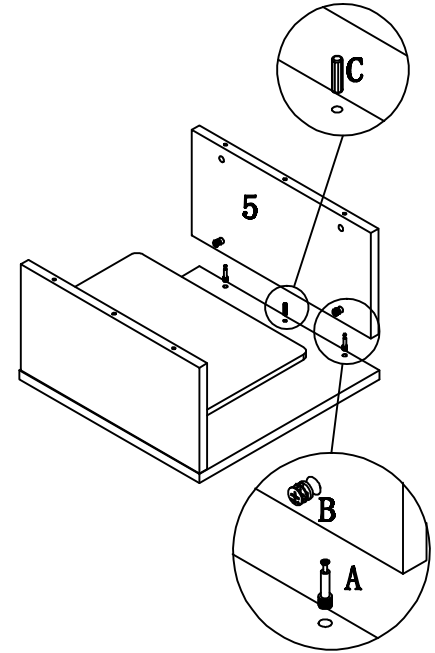
STEP:2



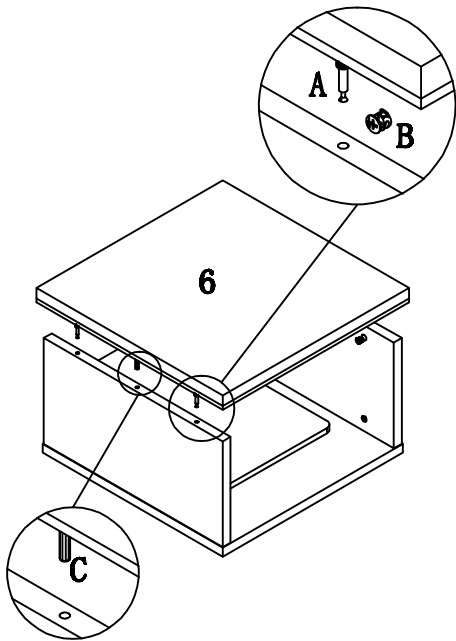
STEP:3



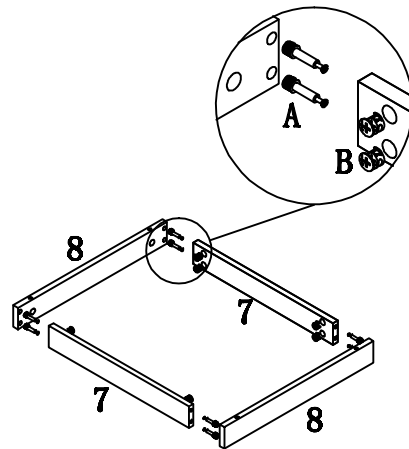
STEP:4



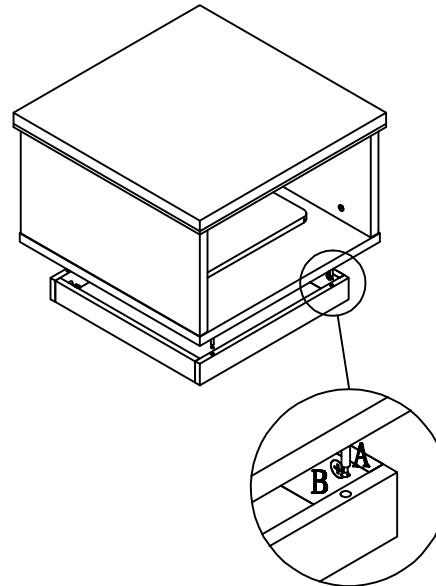
STEP:5



STEP:6

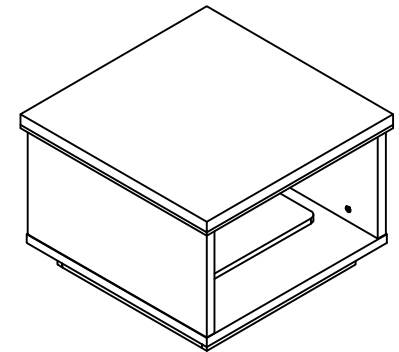


STEP:7



STEP:8

FINISH



A		26 PCS
B		26 PCS
C		7 PCS