






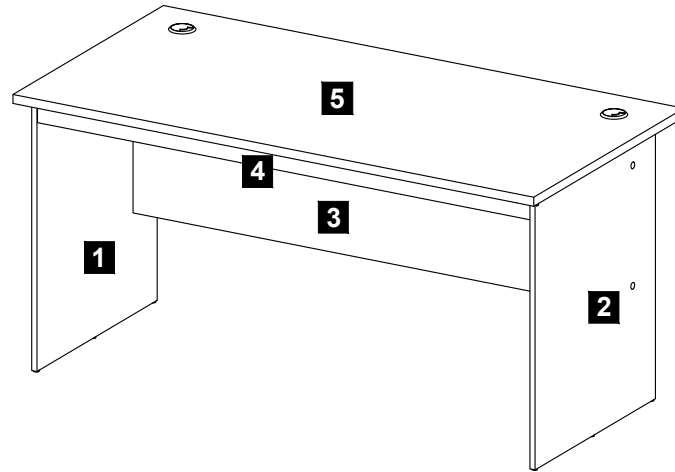


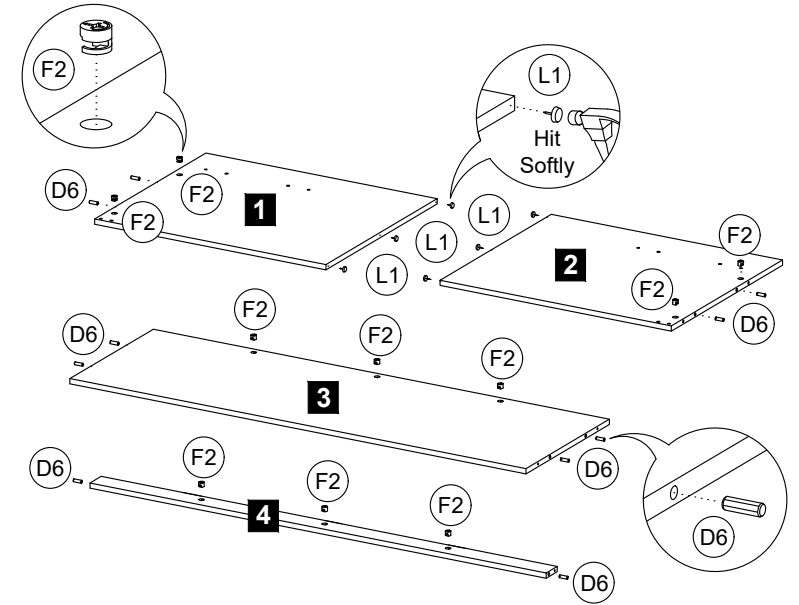
| HARDWARE ITEM |   |                          | QTY        |
|---------------|---|--------------------------|------------|
| A16           |  | Screw JCBCW<br>M6 x 50mm | 6          |
| D6            |  | Wood Dowel<br>8 X 25mm   | 10         |
| F2            |  | Mini Fix 15mm            | 10<br>Sets |
| L1            |  | Leg Pin                  | 6          |
| N1            |  | Allen Key                | 1          |
| R9            |  | Plastic Round Wire Cap   | 2          |
| Y             |  | Mini Fix Plastic Cap     | 16         |

**COMPLETE**

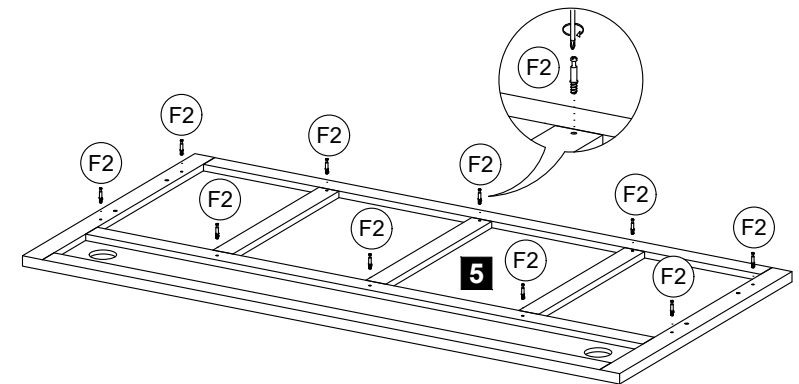


**PRE - ASSEMBLY**

**STEP 1** Insert the Mini Fix Cam (F2) & Wood Dowel 8 x 25mm (D6) at panel no. 1, 2, 3 & 4. Nail the Leg Pin (L1) at the bottom of the panel no. 1 & 2.



**STEP 2** Insert the Mini Fix Bolt (F2) at panel no. 5.



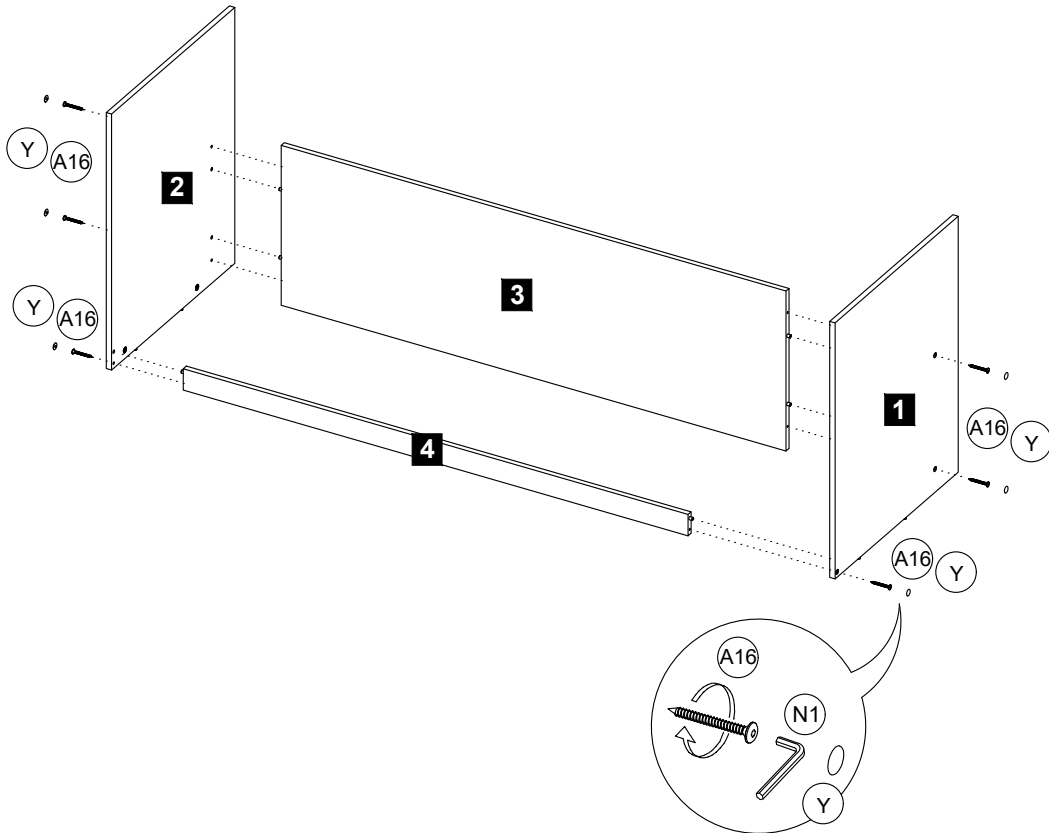
**CAUTION**

MATERIAL USE LAMINATED PARTICLE BOARD, TO CLEAN USE SOFT, DRY CLOTH. DO NOT USE DETERGENT OR CHEMICAL AVOID CONTACT WITH WATER AND DIRECT SUNLIGHT. TO BE ASSEMBLED ON A SOFT, DRY, CLEAN SMOOTH SURFACE.

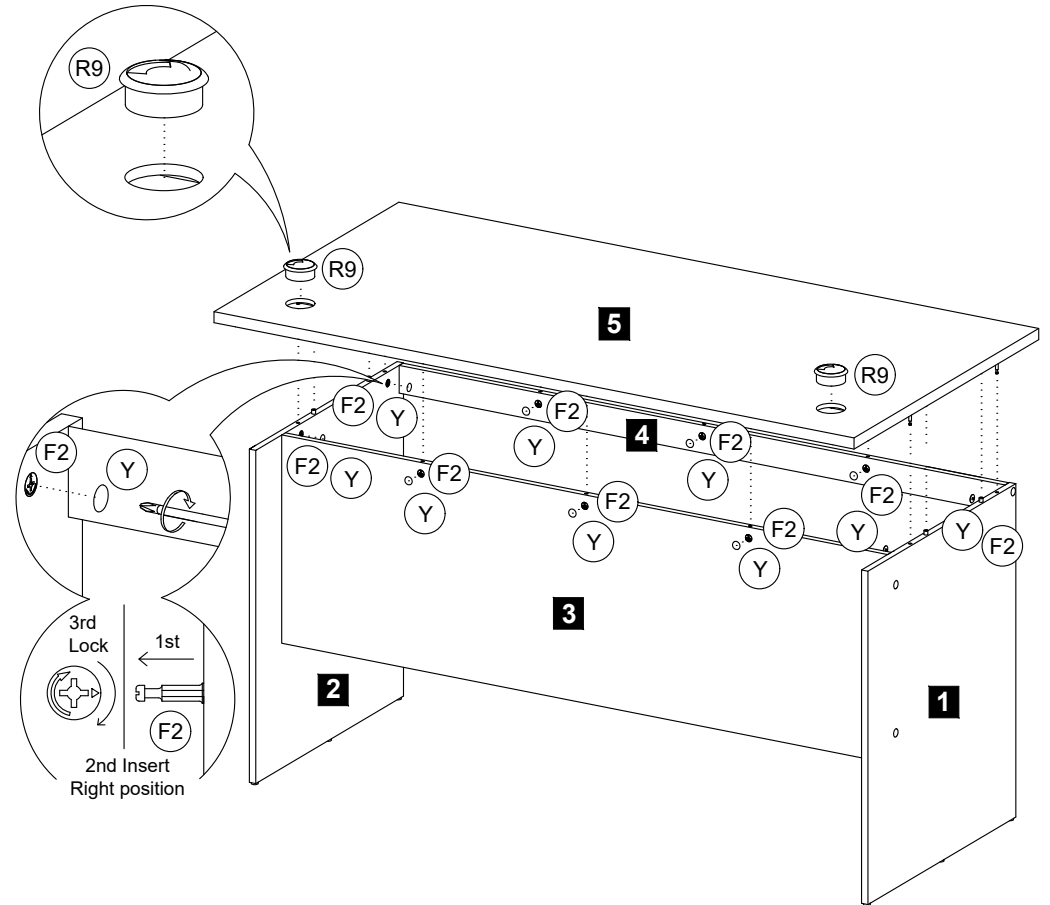
USE OF POWER TOOLS TO ASSEMBLE THIS PRODUCT WILL INVALIDATE ANY CLAIM AND MAY DAMAGE THIS PRODUCT MAKING IT UNSAFE.



**STEP 3** Assemble the panel no. **1**, **2**, **3** & **4** together by using Screw JCBWC M6 x 50mm (**A16**). Use Allen Key (**N1**) to tighten the Screw JCBWC M6 x 50mm (**A16**) and button the screw head with Mini Fix Plastic Cap (**Y**).



**STEP 4** Assemble the panel no. **5** to the unit by using Mini Fix 15mm (**F2**) and button the Mini Fix Cam (**F2**) with Mini Fix Plastic Cap (**Y**). Then, insert the Plastic Round Wire Cap (**R9**) at panel no. **5**.



Flip Up