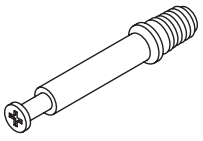
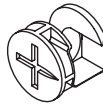


260-000024





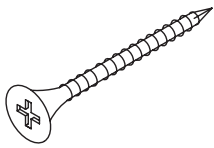
6 x A



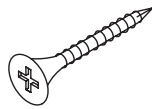
6 x B



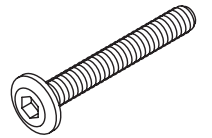
12 x C



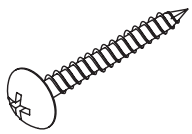
8 x D



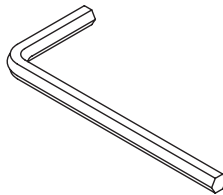
4 x E



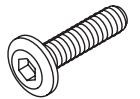
4 x F



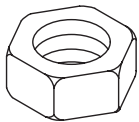
10 x G



1 x H



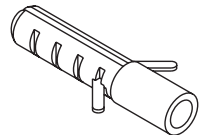
5 x I



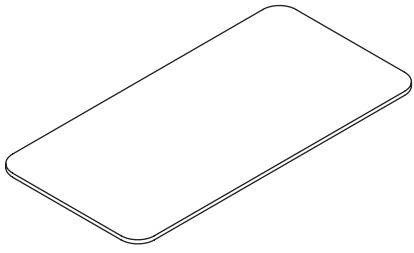
1 x J



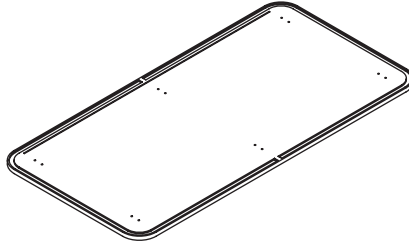
2 x K



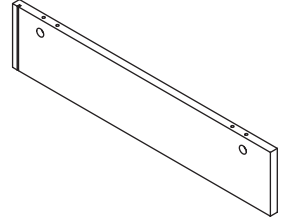
2 x L



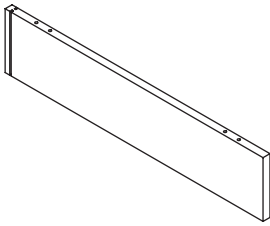
1
1 PC



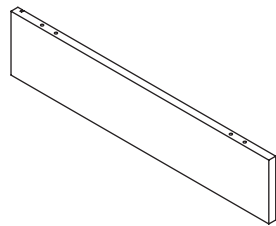
2
2 PCS



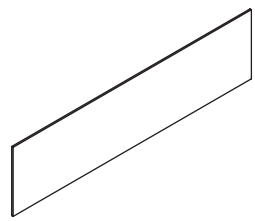
3
1 PC



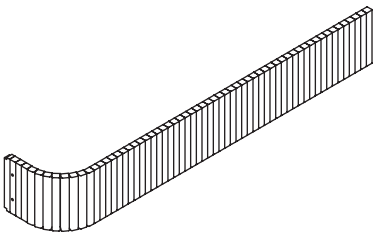
4
1 PC



5
1 PC



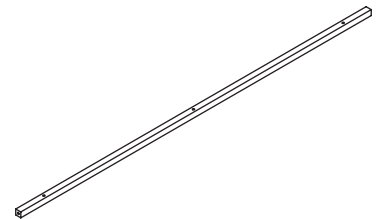
6
2 PCS



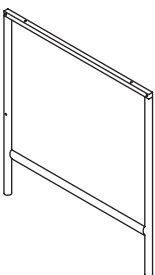
7
1 PC



8
2 PCS



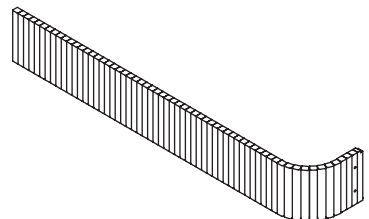
9
2 PCS



10
2 PCS

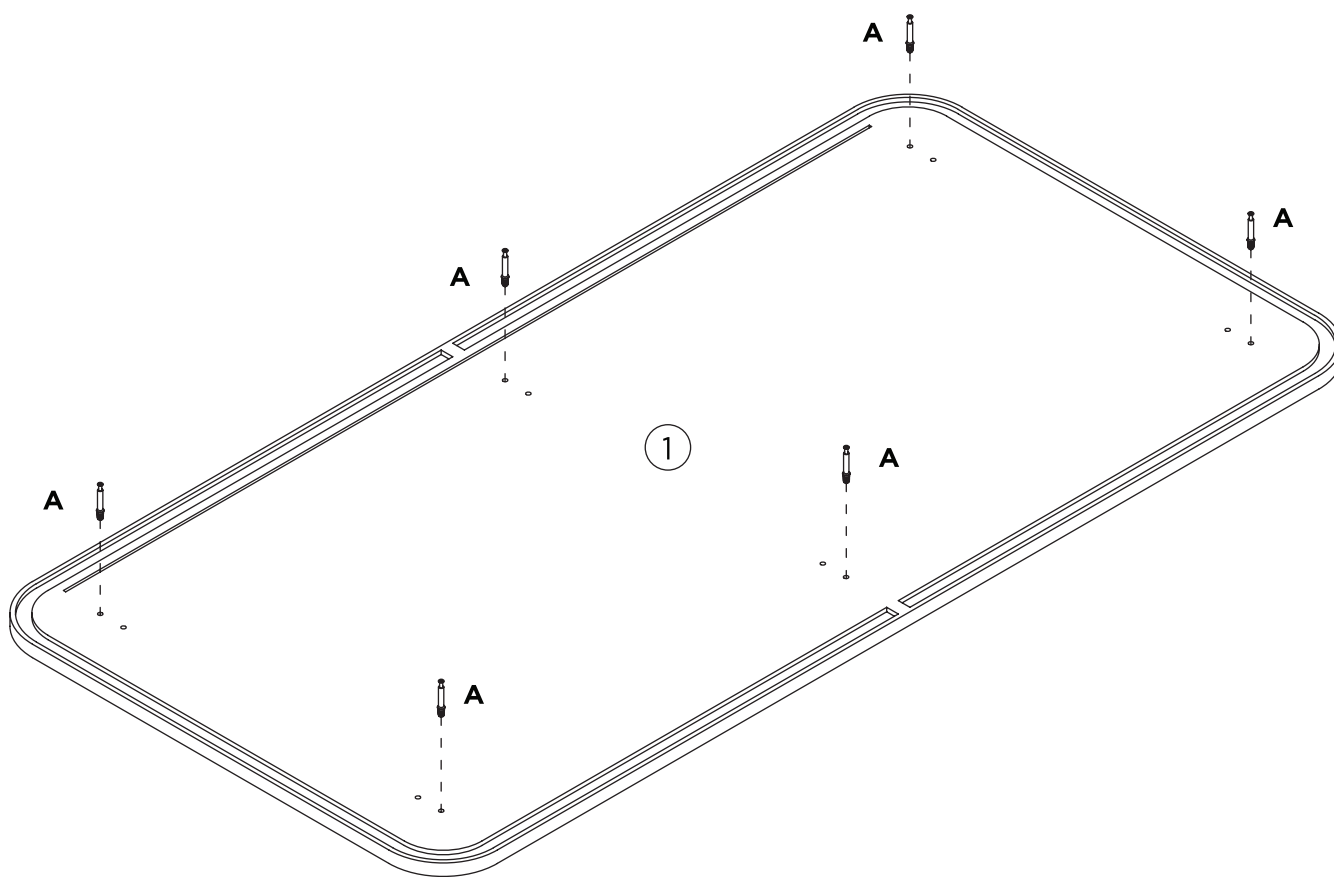
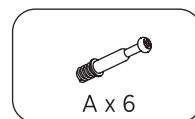


11
2 PCS

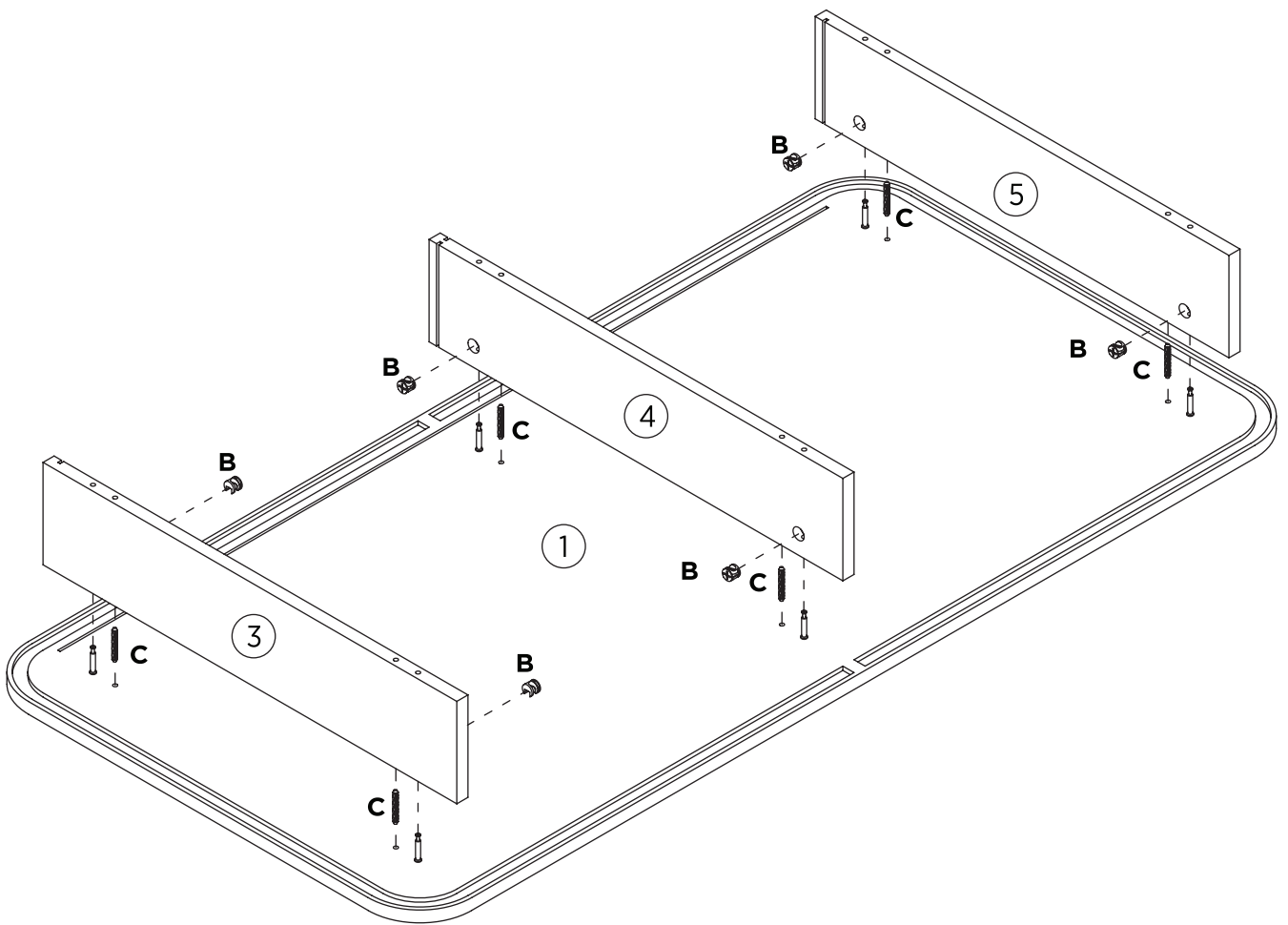
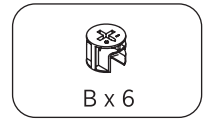


12
1 PC

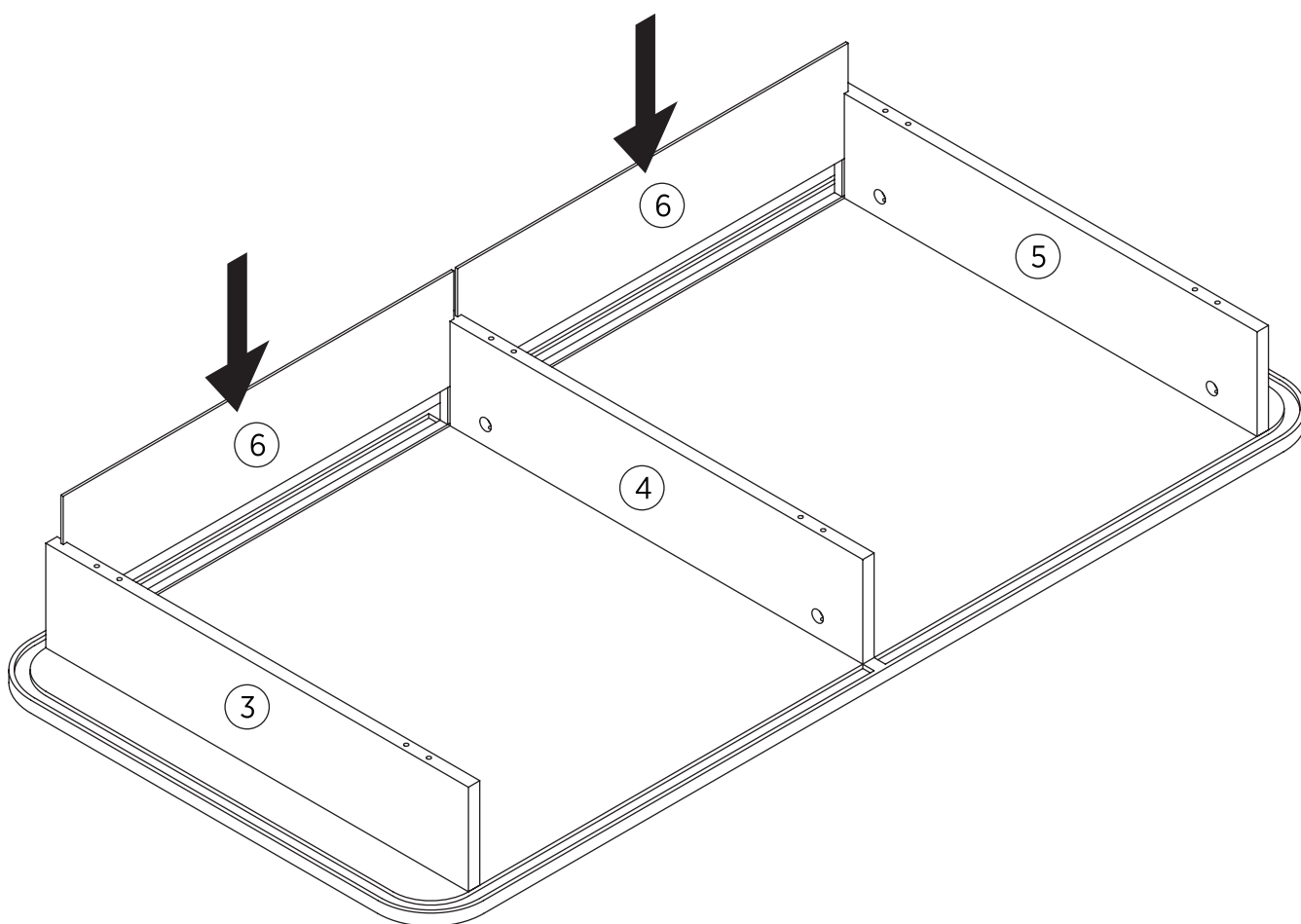
STEP 1



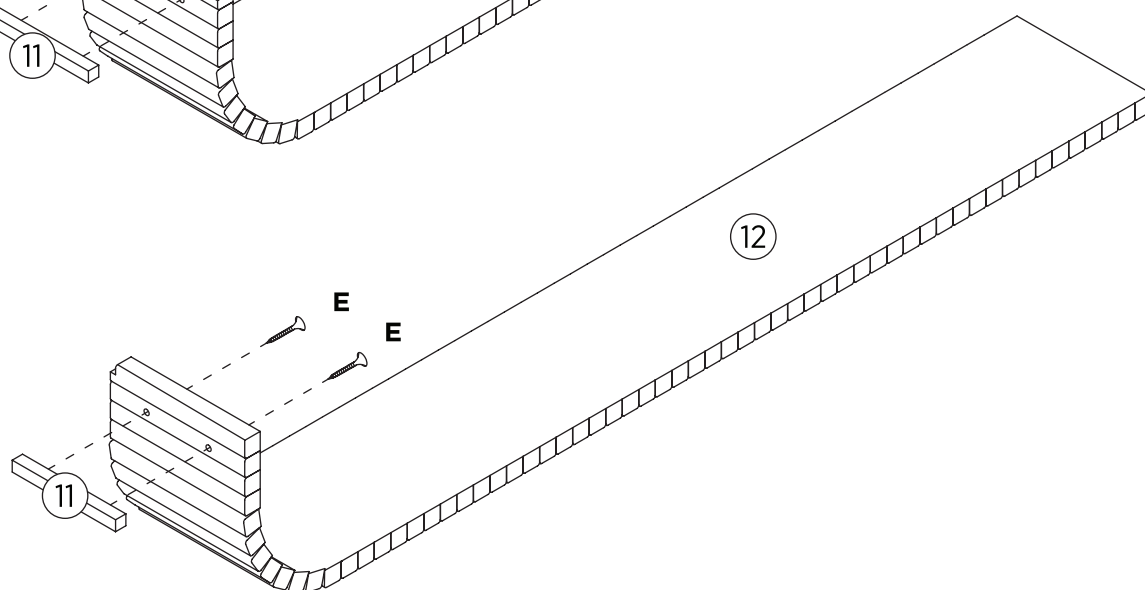
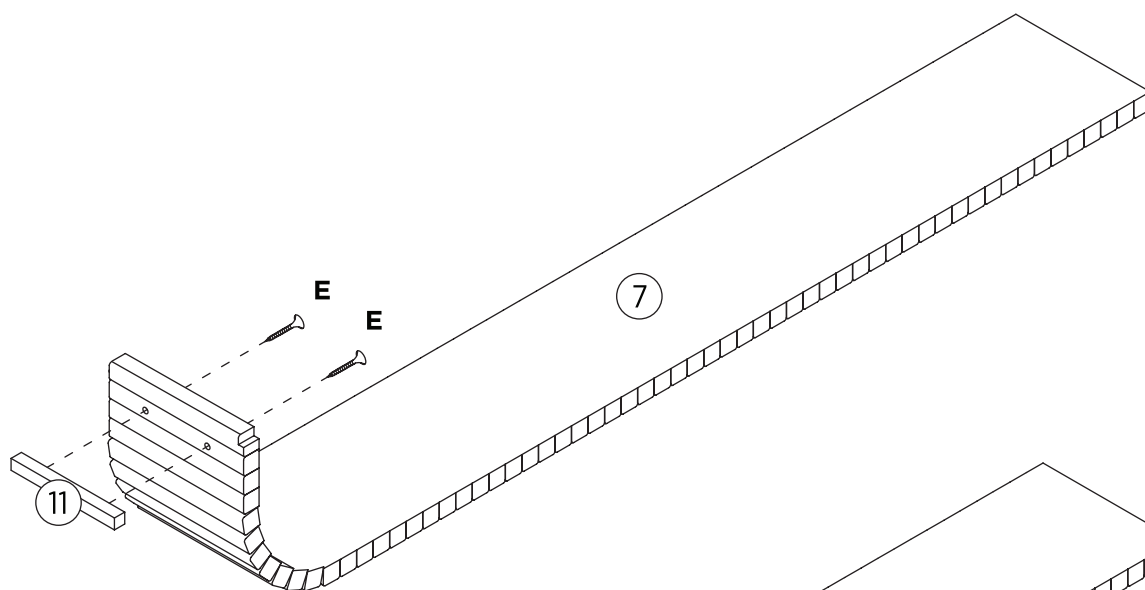
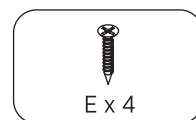
STEP 2



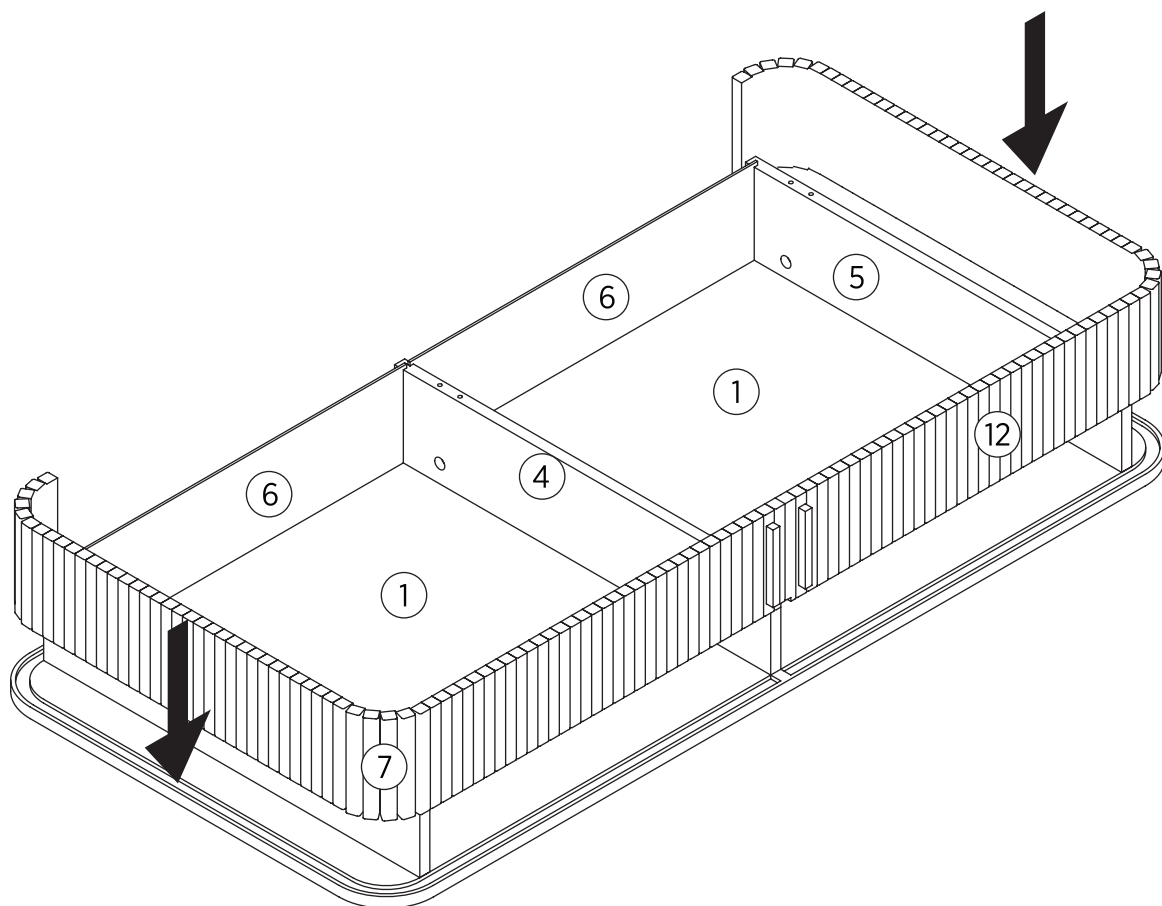
STEP 3



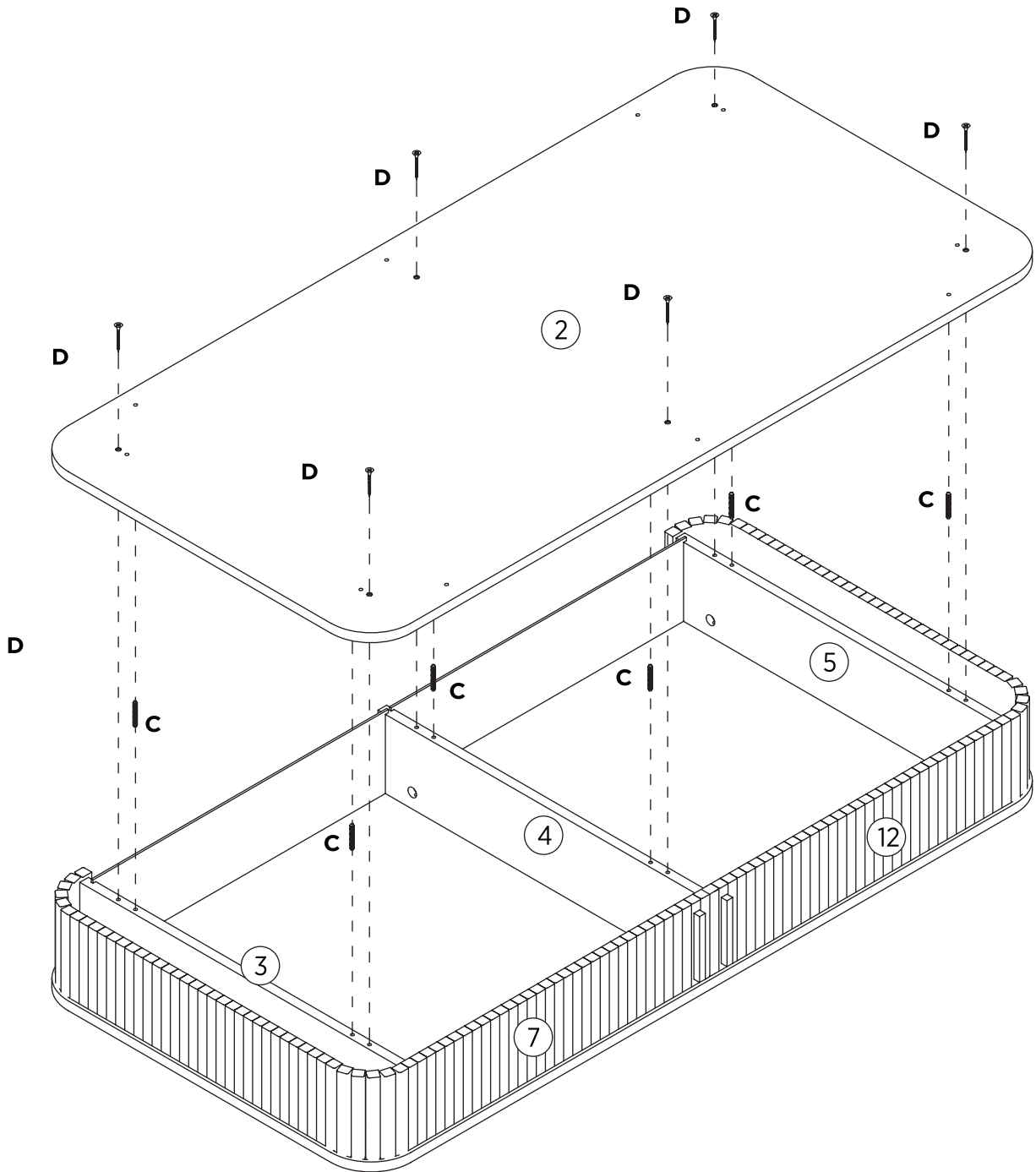
STEP 4



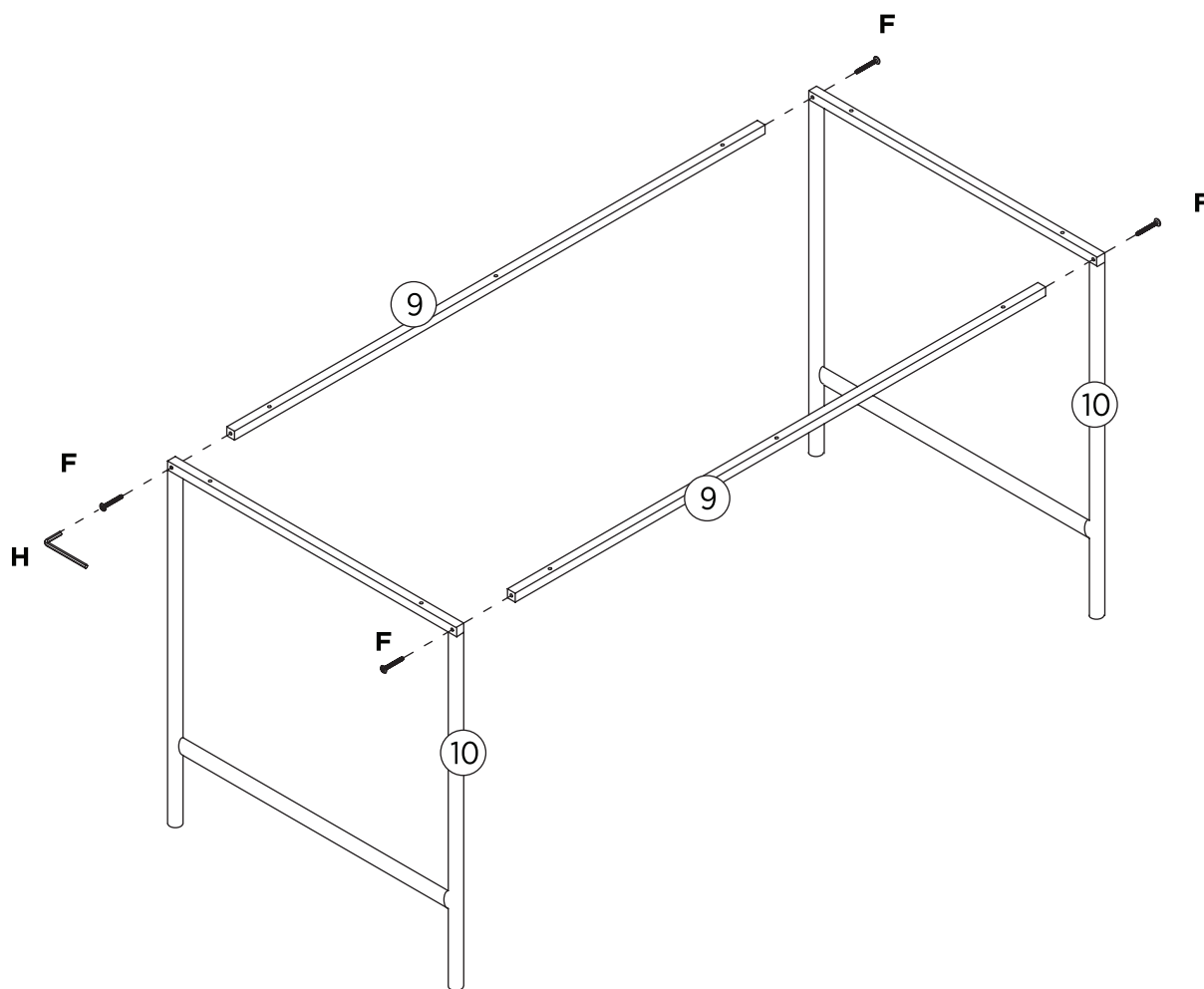
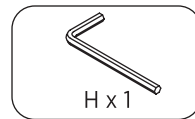
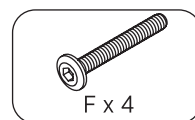
STEP 5



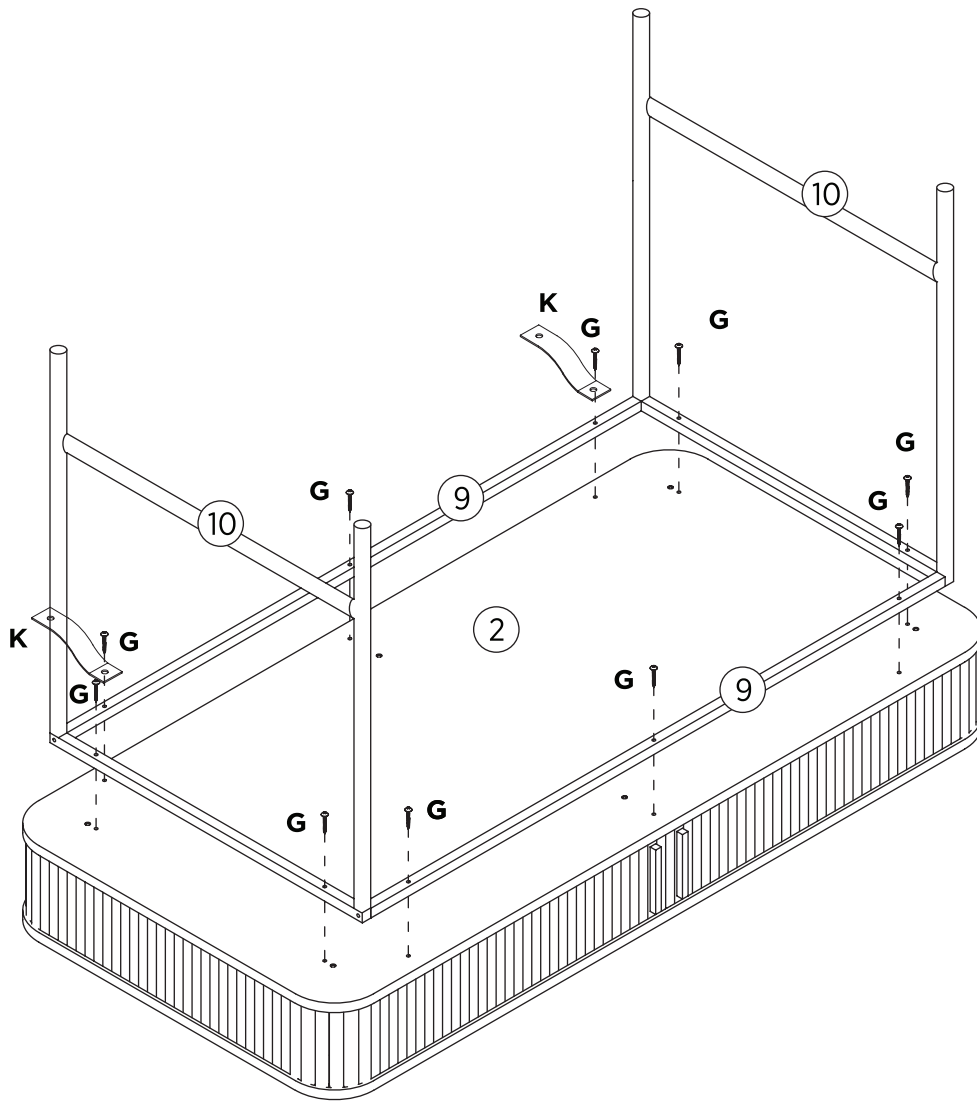
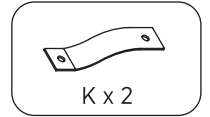
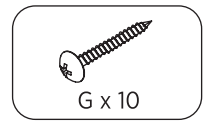
STEP 6



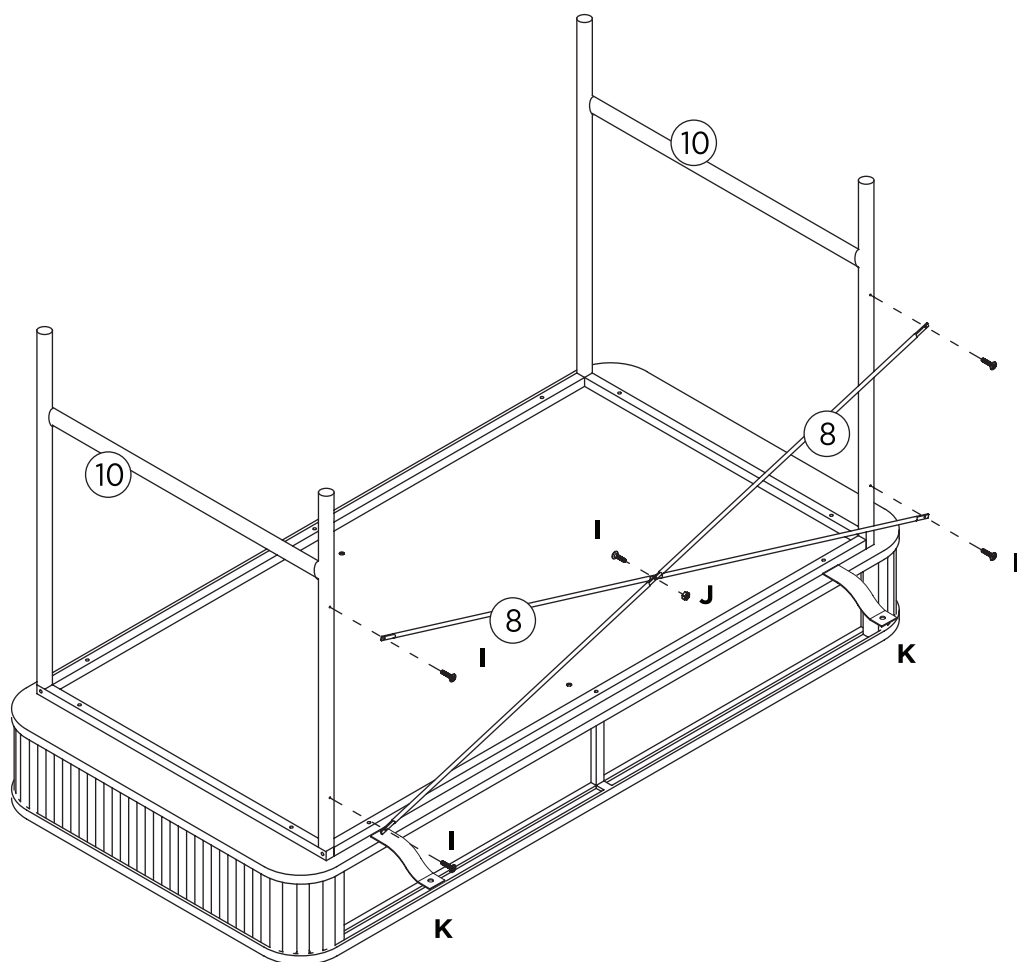
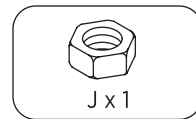
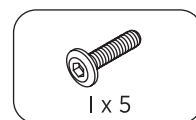
STEP 7



STEP 8



STEP 9



STEP 10

