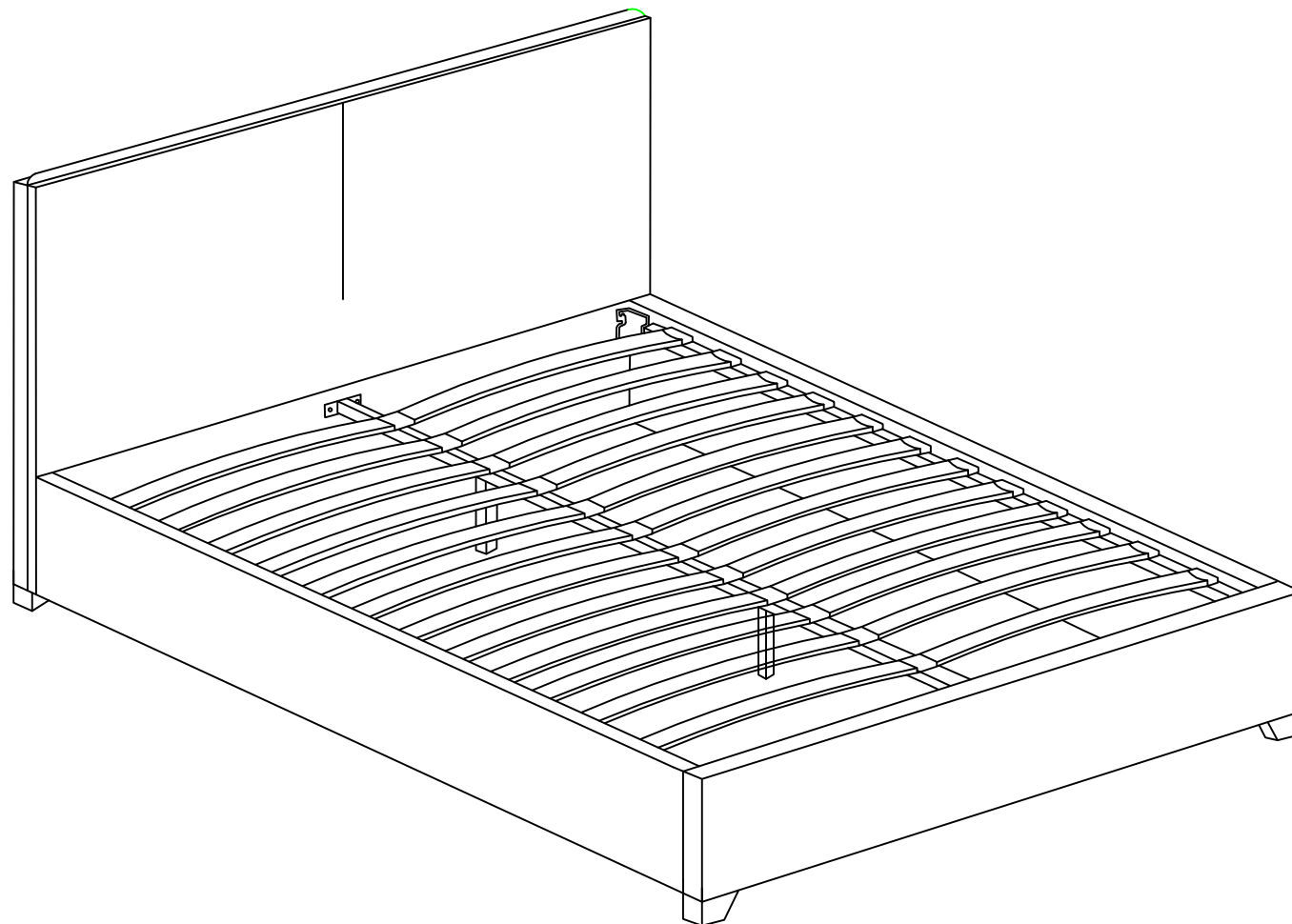
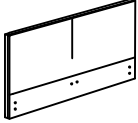
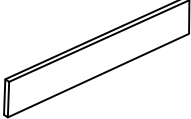
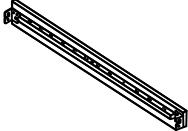



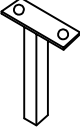

# ASSEMBLY INSTRUCTIONS



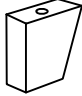
279-000009






# PART LIST




1.Headboard 1pc	2.Footboard 1pc	3.Side Rail*2pcs
		

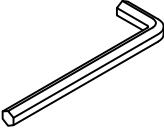
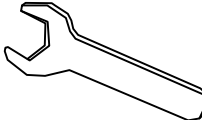
4.Metal Bar 1pc	5.Support Leg *2pcs	6.Slats*26pcs
		

7.Single Plastic Cap*26pcs	8.Double Plastic Cap*13pcs	9.Leg*4pcs
		

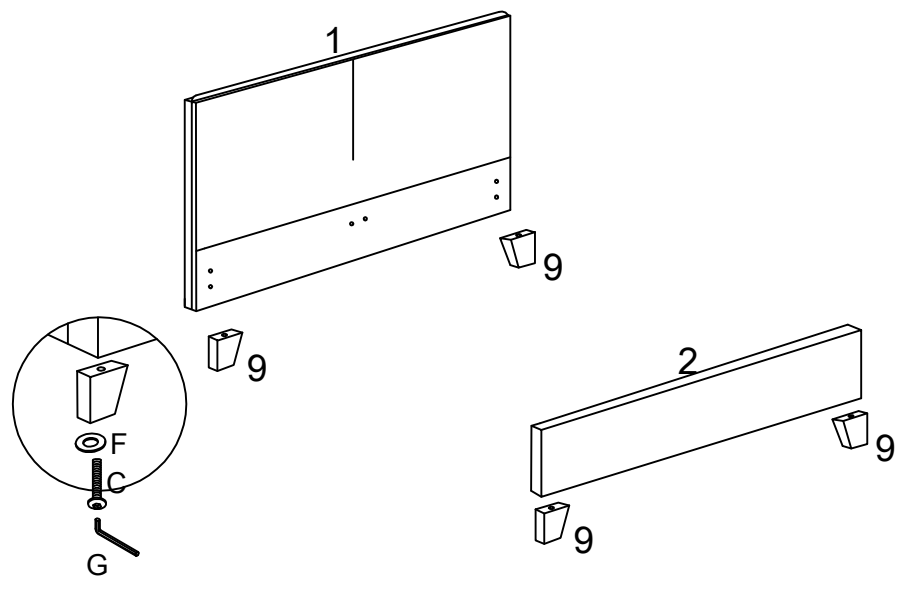
# HARDWARE LIST

(A)Bolt M8*30mm*12pcs	(B)Bolt M8*35mm*4pcs	(C)Bolt M8*50mm*4pcs
		

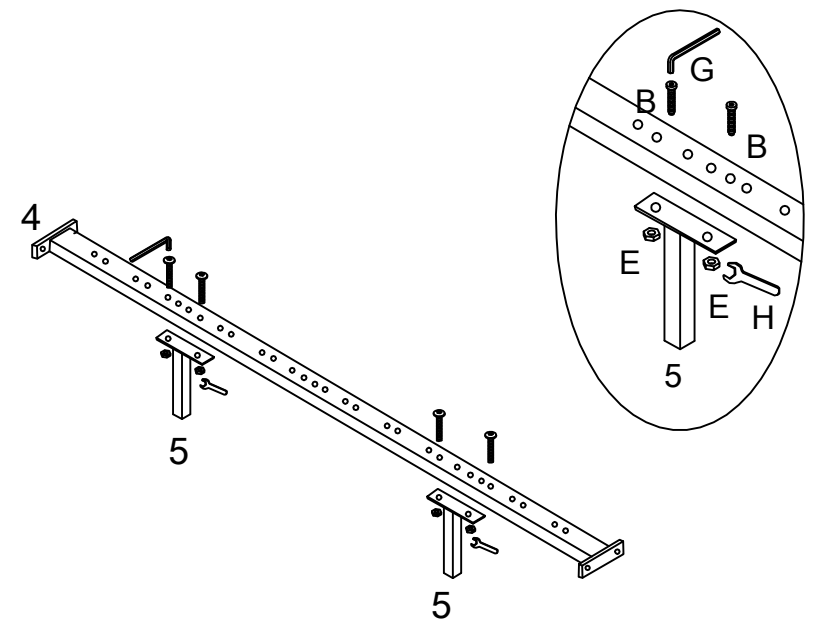
(D)Spring Washer*8pcs	(E)Nut M8*4pcs	(F)Flat Washer *12pcs
		

(G)Allen Key M5*1pc	(H)Spanner *1pc	
		

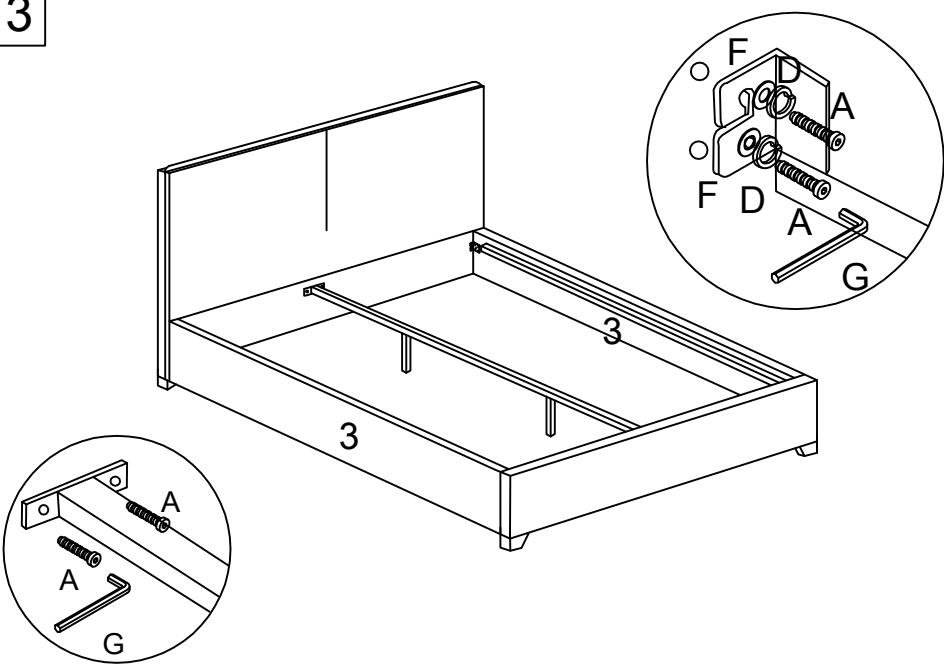
1



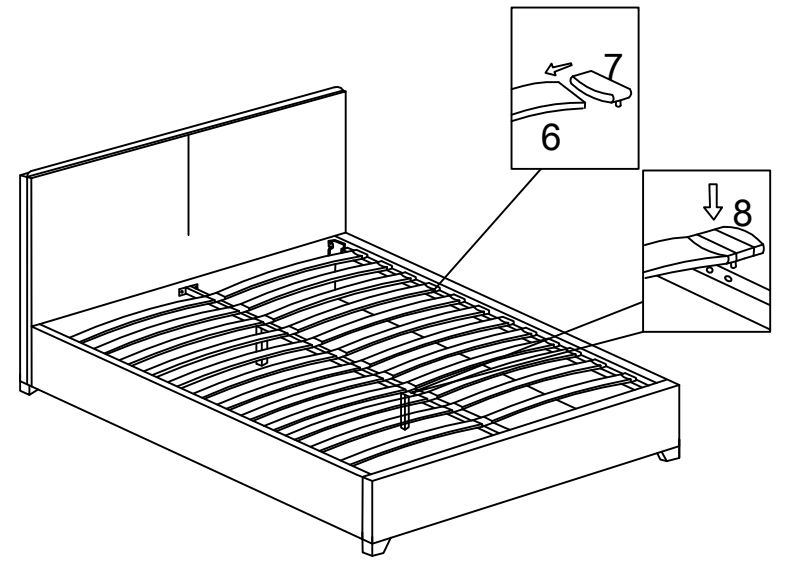
2



3



4



3