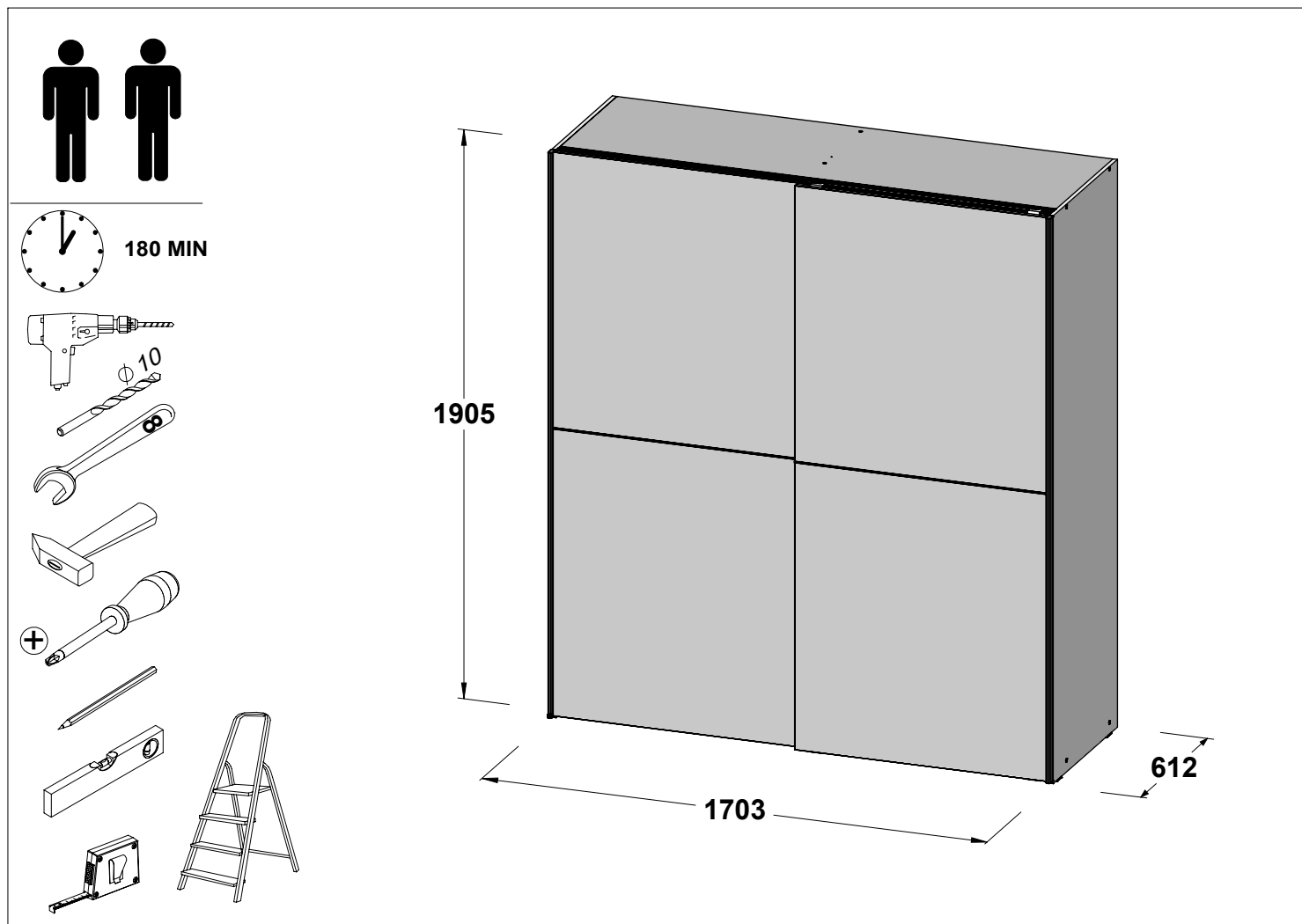


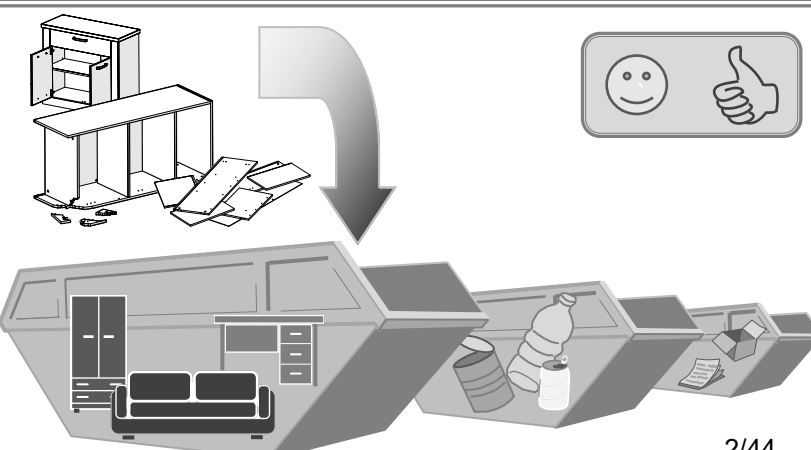
# 318-000020



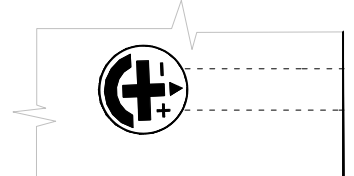
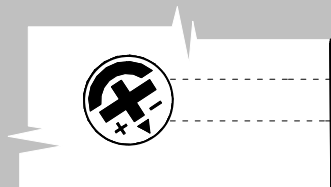
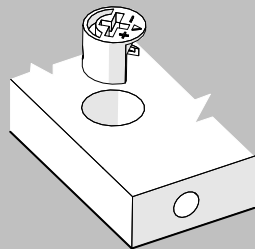
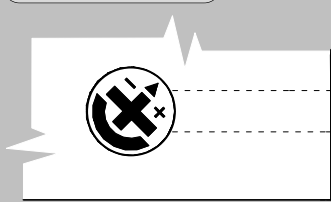
Assembling instruction



EN.Follow the manufacturer's assembly instructions, otherwise danger may occur.



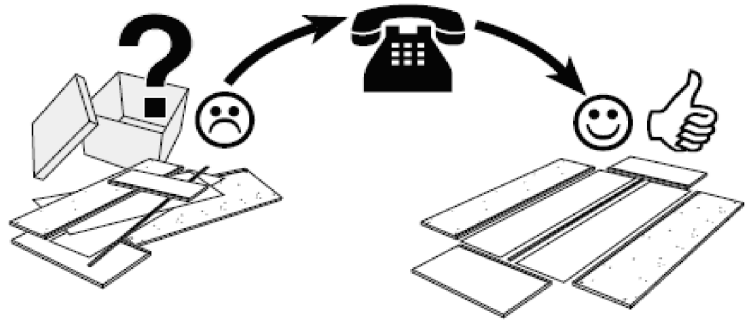
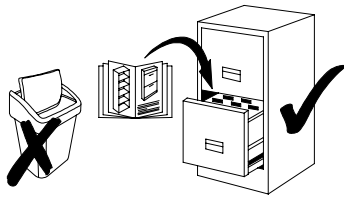




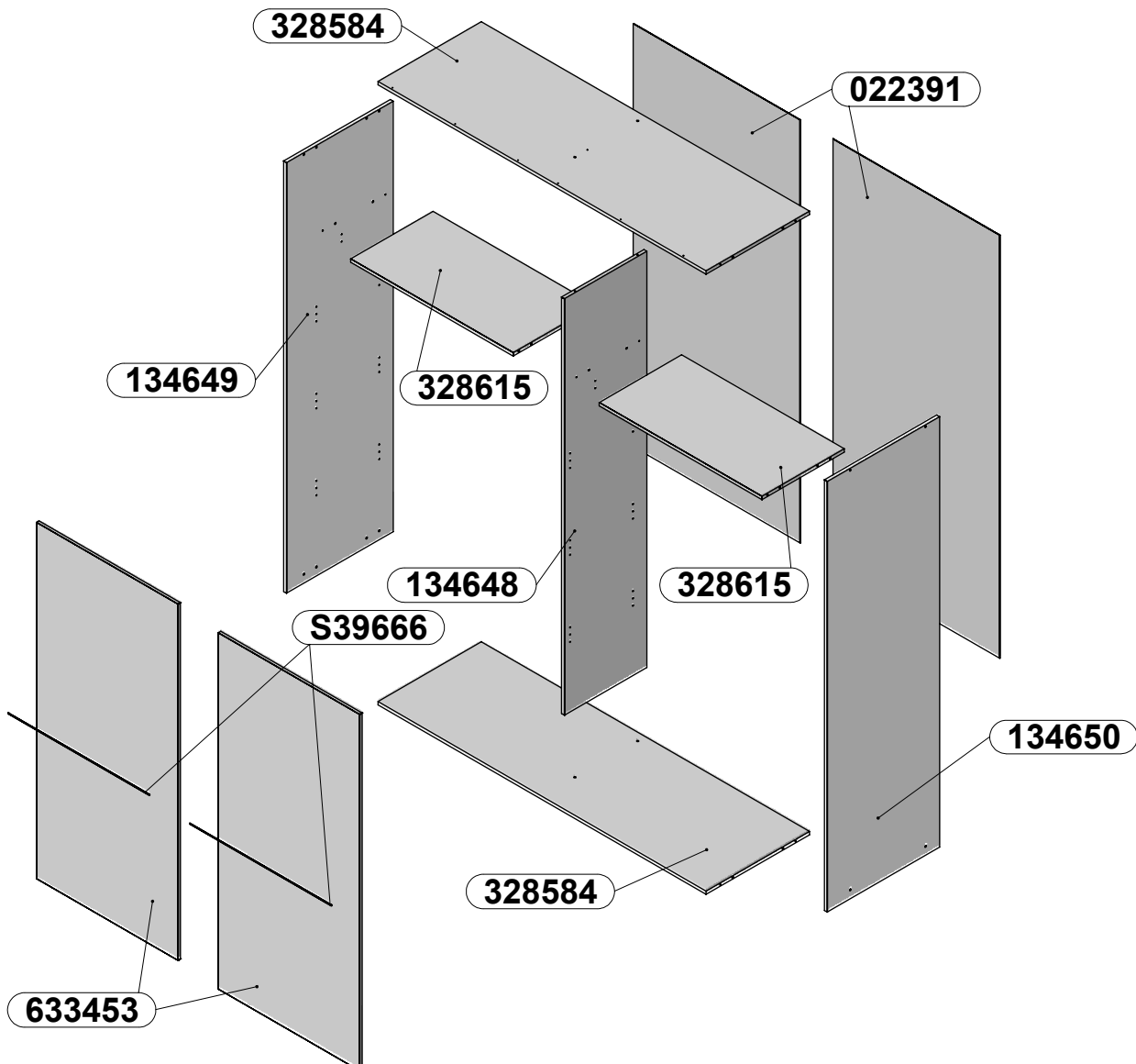
- EN -






Furniture containing wood-based panels (particle board, fibreboard, plywood etc.) may emit into indoor air inconsiderable amounts of substances used in the production processes. The level of this emission is examined and it meets the applicable standards. After assembling the furniture, it is advised to regularly ventilate the room where the furniture stands, which should last about four weeks or until the smell is eliminated.


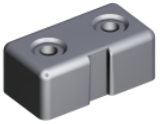
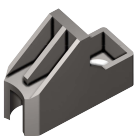
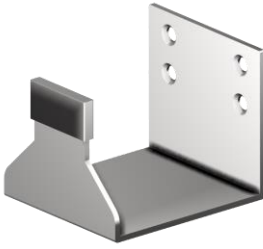



# Service



CODE	DIMENSIONS	Colli-0001	Colli-0002
022391	1867x850x2		2
134648	1837.5x421x15	1	
134649	1900x544x15	1	
134650	1900x573x15		1
328584	1673x527x15	2	
328615	829x420x15	2	
633453	865x1888x15		2
S39666	865x5x2		2

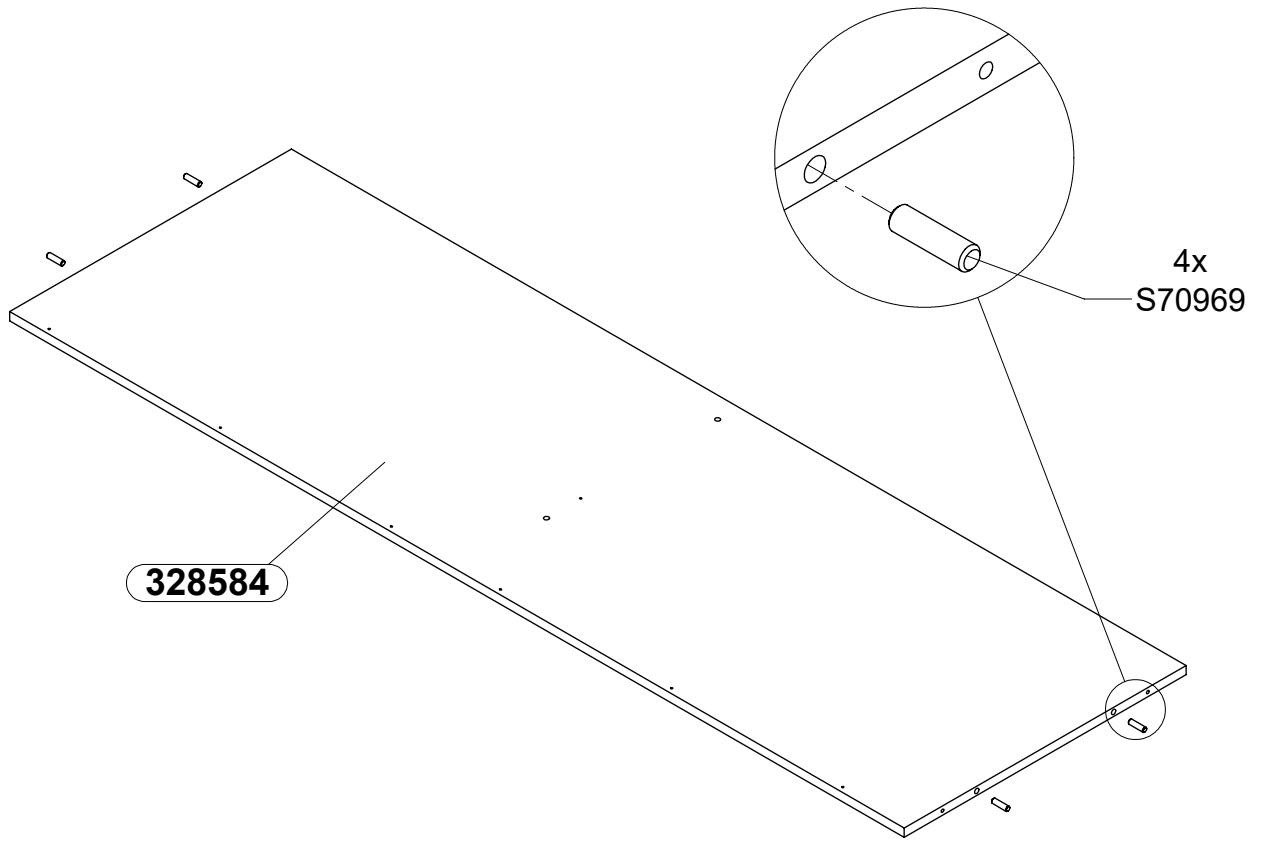


<p><b>16x S70969</b> Ø8x28</p> 	<p><b>8x S30211</b></p> 	<p><b>8x S30212</b> Ø15x12</p> 	<p><b>10x S30129</b> Ø3,5x25</p> 
<p><b>37x S30161</b> Ø4x16</p> 	<p><b>4x S34701</b> Ø4x14</p> 	<p><b>5x S30157</b> Ø4x30</p> 	<p><b>26x S31298-14</b> Ø4x14</p> 
<p><b>12x S32080</b> Ø6,4x50</p> 	<p><b>70x S31299</b> Ø1,6x30</p> 	<p><b>12x S30312</b></p> 	<p><b>8x S3yyyy</b></p>  
<p><b>5x S38808</b></p> 	<p><b>4x S34702</b></p> 	<p><b>2x S32892</b></p> 	<p><b>1x S20557</b></p> 
	<p><b>4x S33396</b></p> 	<p><b>4x S38389</b></p> 	<p><b>1x S30066</b></p> 
<p><b>2x S36628</b> Ø10x50, Ø5x60</p> 	<p><b>2x S34802</b> L=822</p> 		
<p><b>2x S38812</b> L - 1888</p> 			
<p><b>1x S37912-N</b> L - 1672</p> 	<p><b>1x S37911-N</b> L - 1672</p> 		

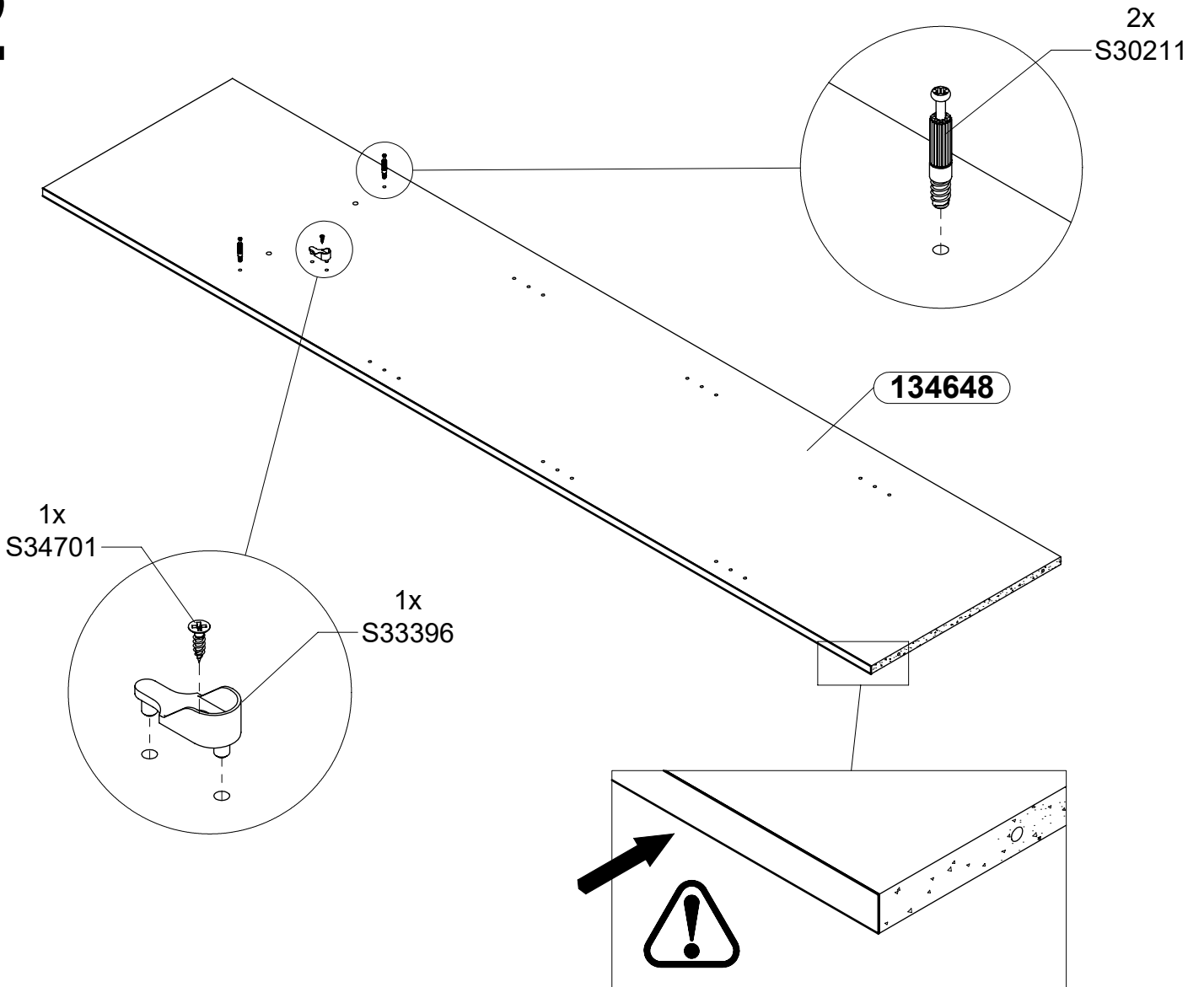
<p><b>2x</b> <b>S36482-N</b></p> 	<p><b>2x</b> <b>S36165</b></p> 	<p><b>1x</b> <b>S36483-N</b></p> 
<p><b>2x</b> <b>S36480-N</b></p> 	<p><b>2x</b> <b>S36478-N</b></p> 	
<p><b>2x</b> <b>S36479-N</b></p> 	<p><b>2x</b> <b>S36481-N</b></p> 	



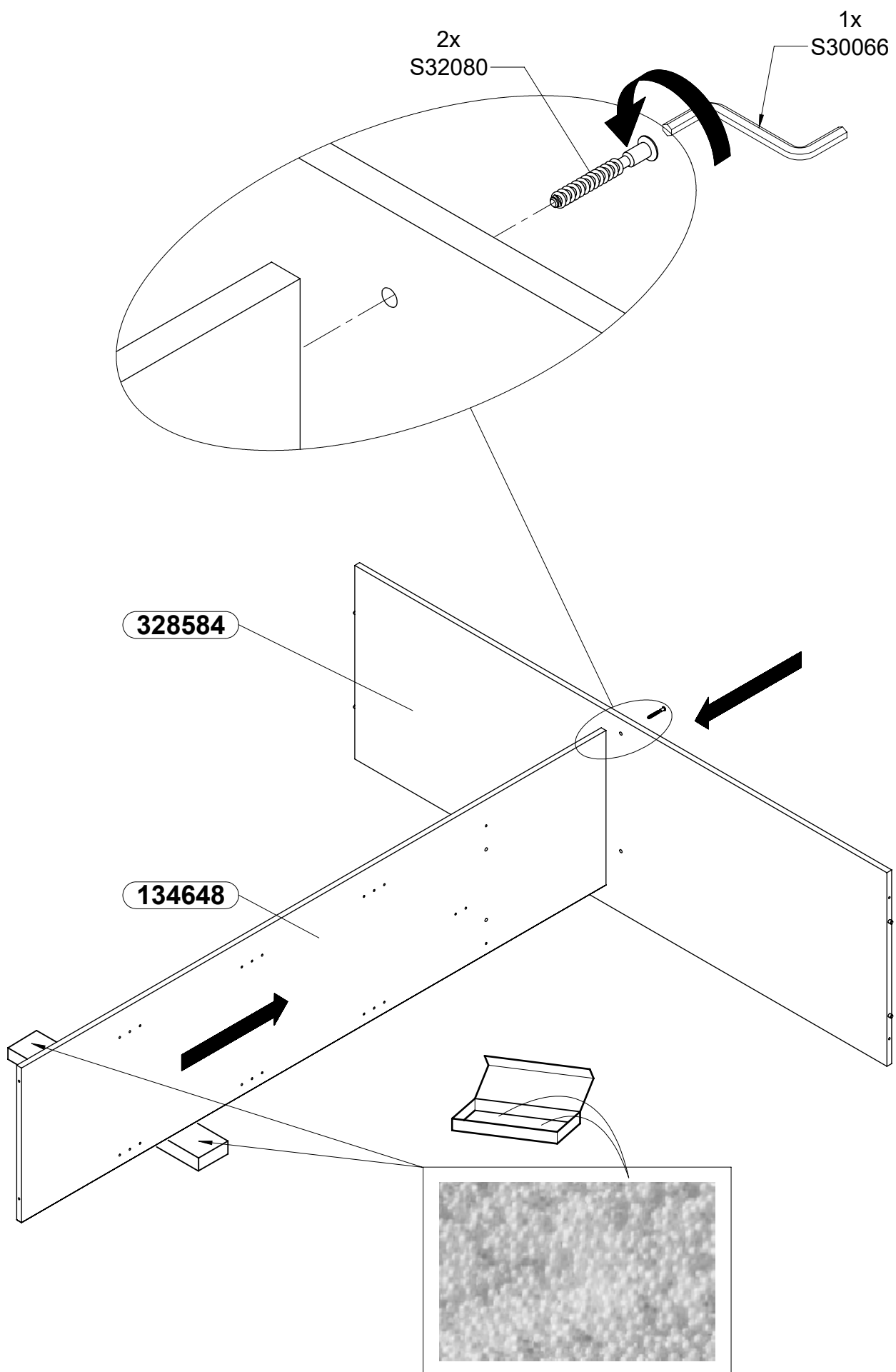
**1** x1



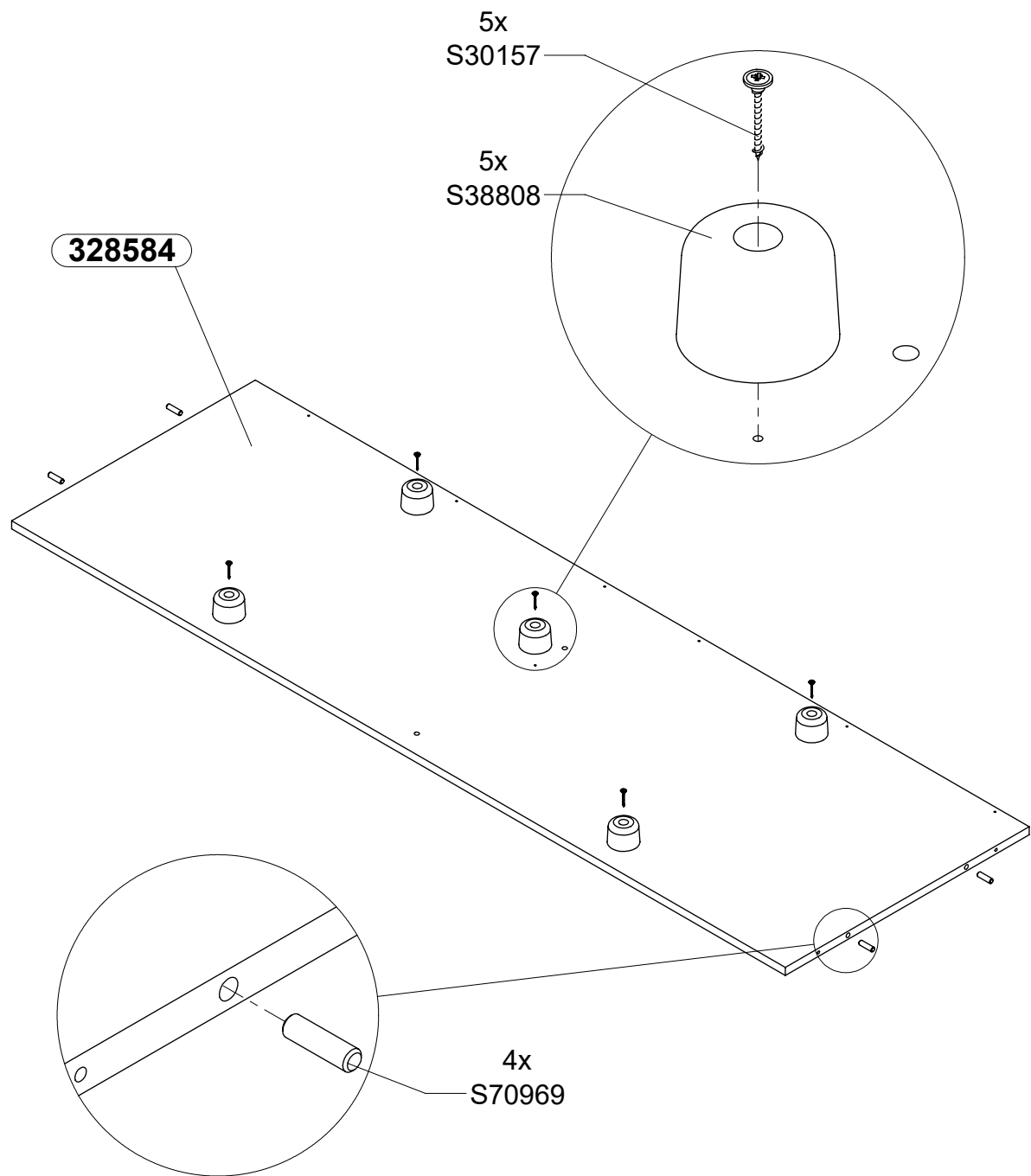
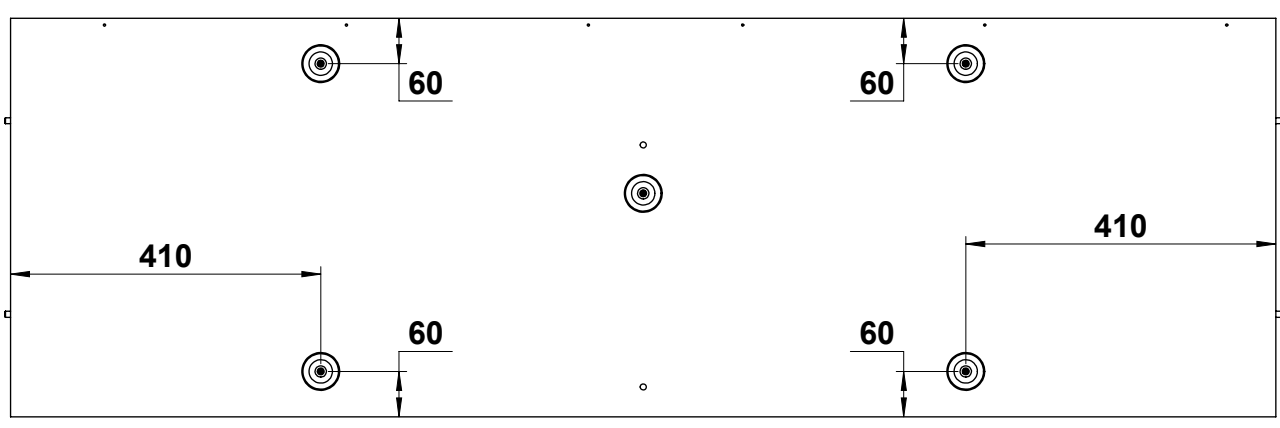
**2**



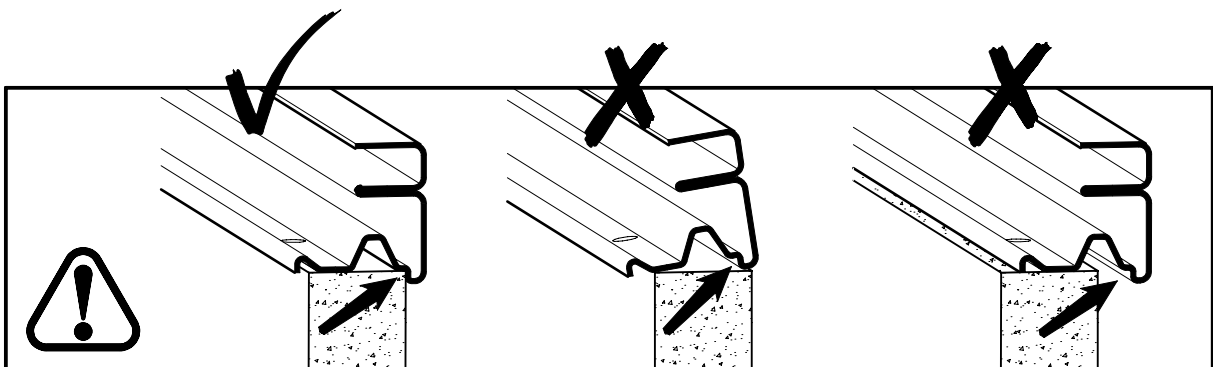
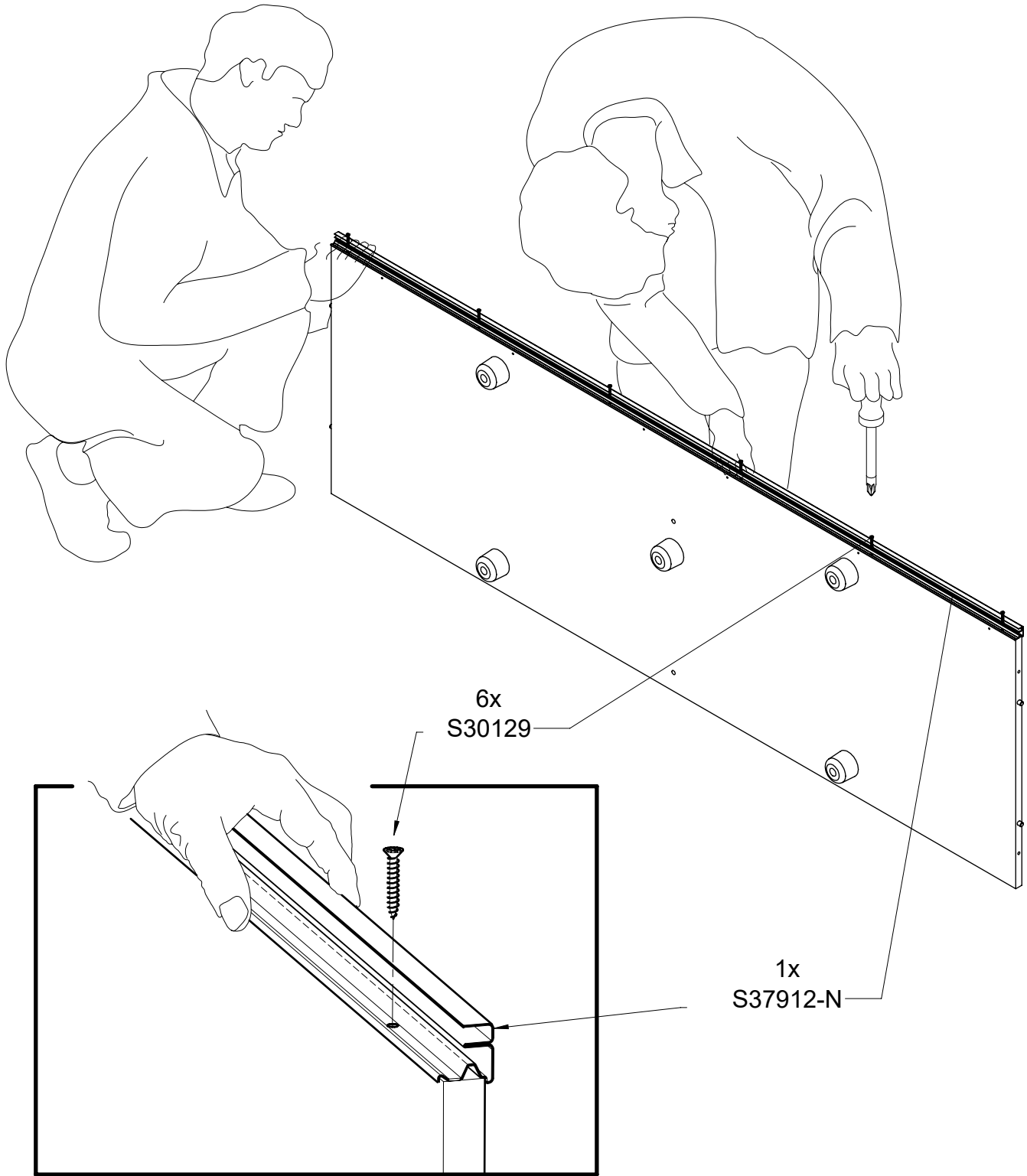
# 3



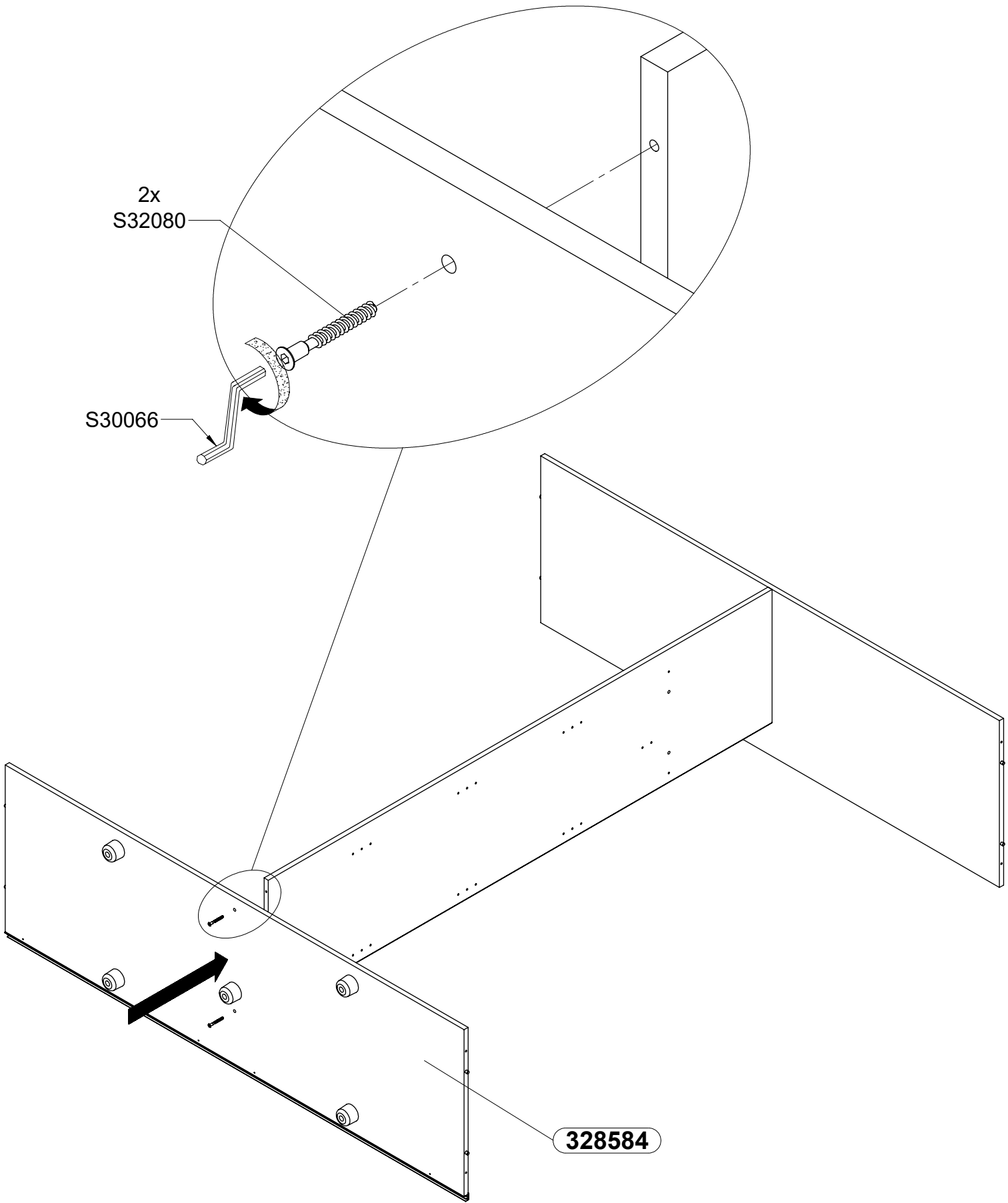
# 4x1



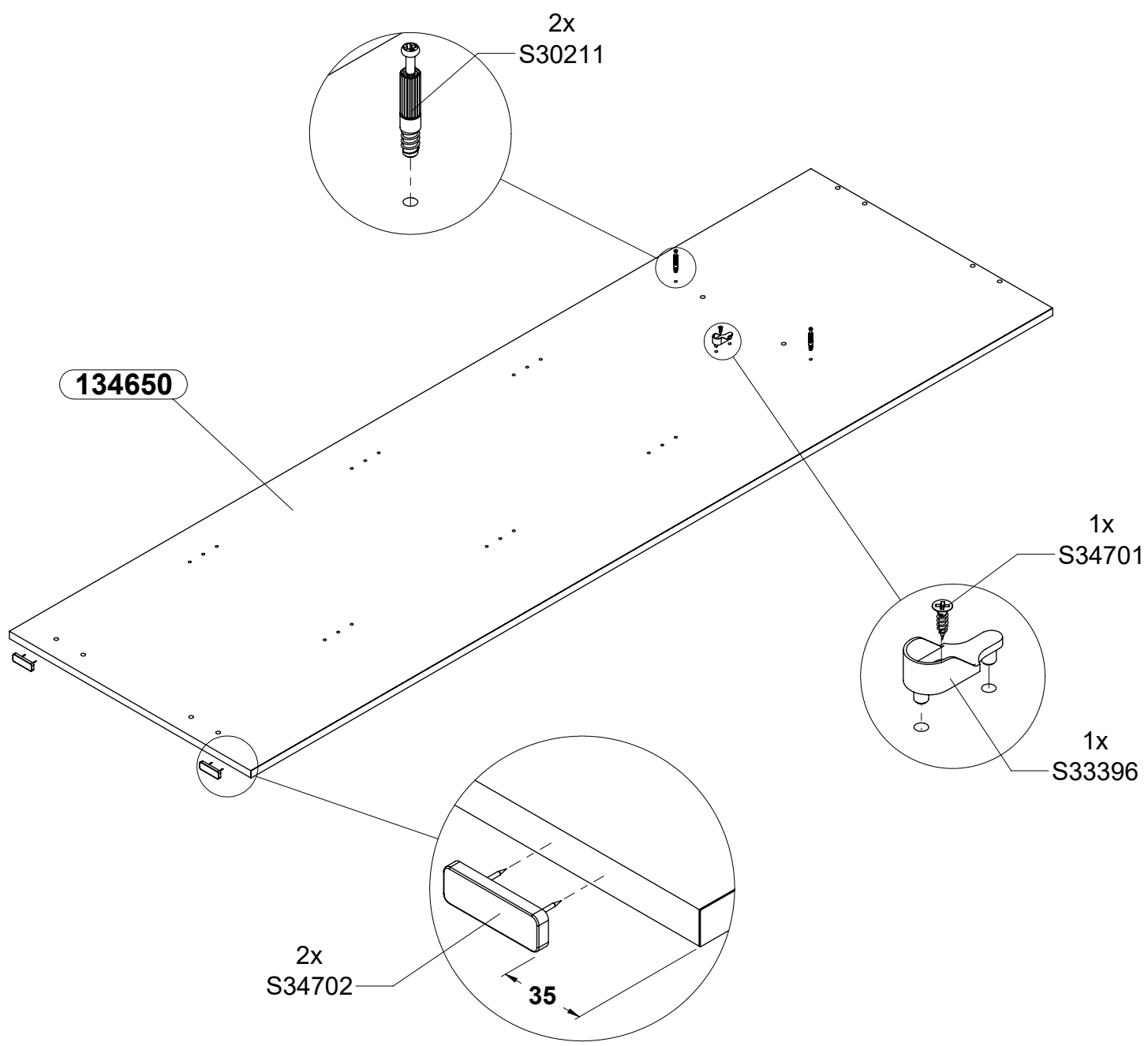
# 5



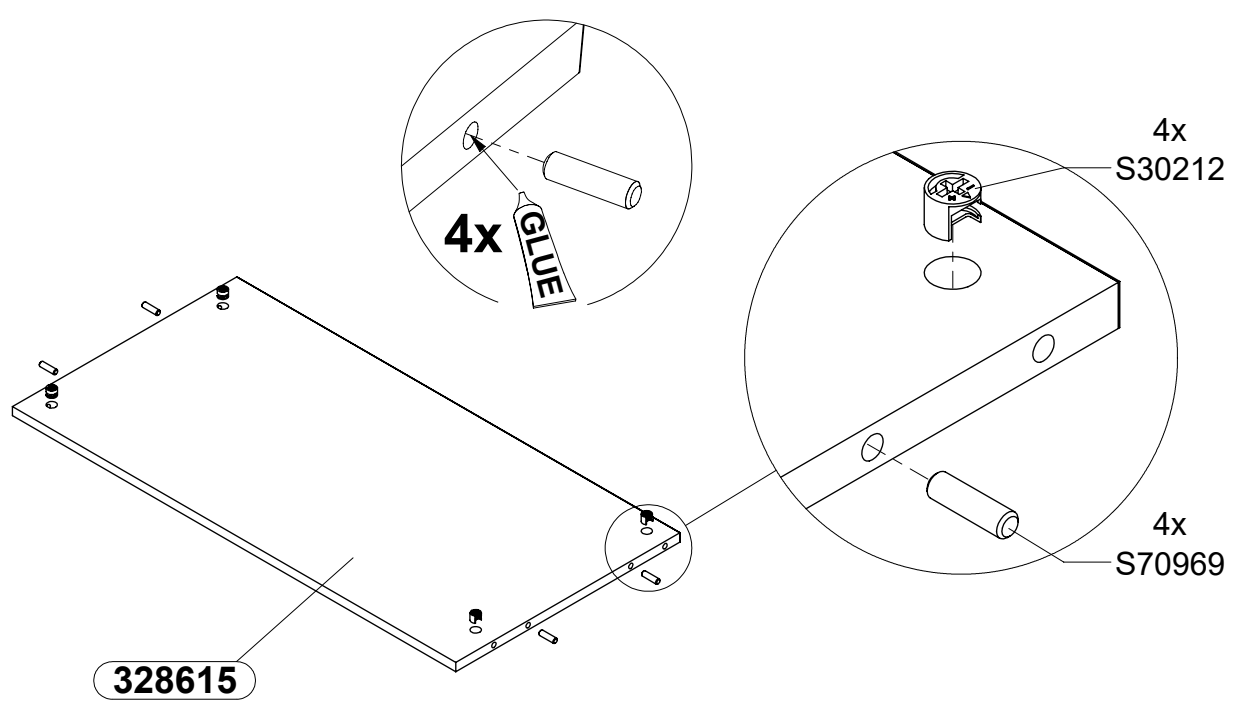
# 6



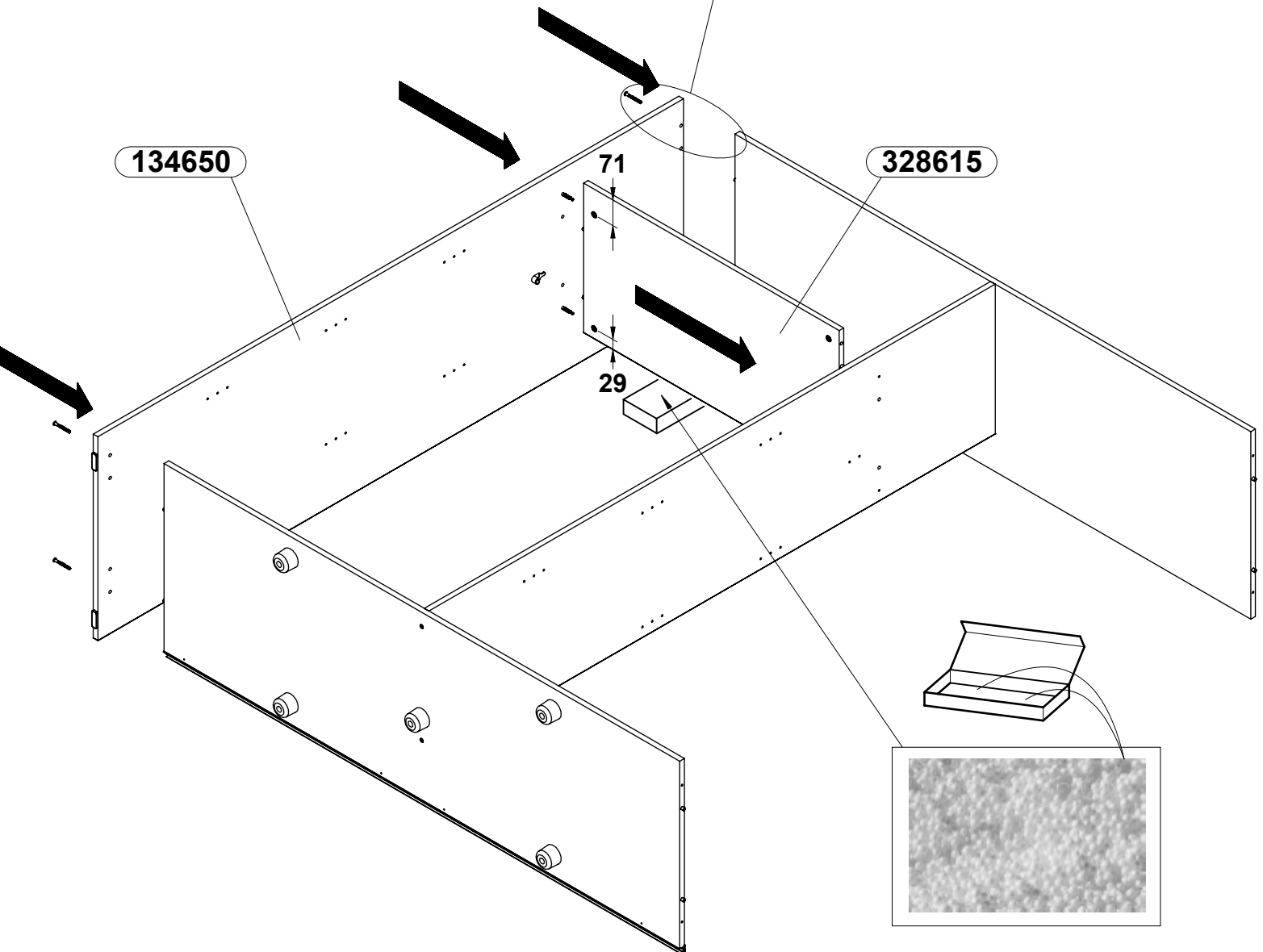
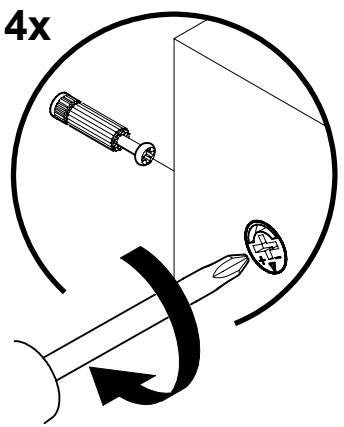
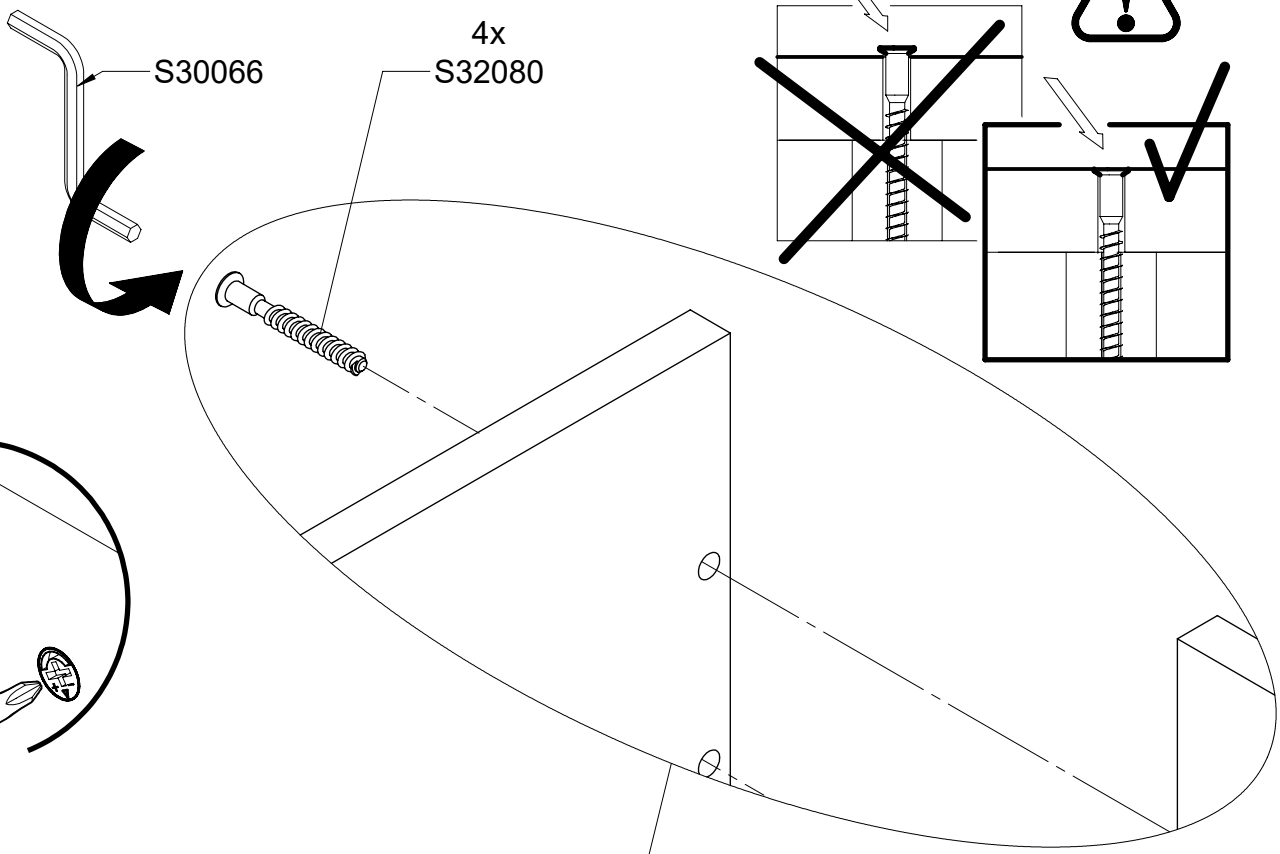
# 7



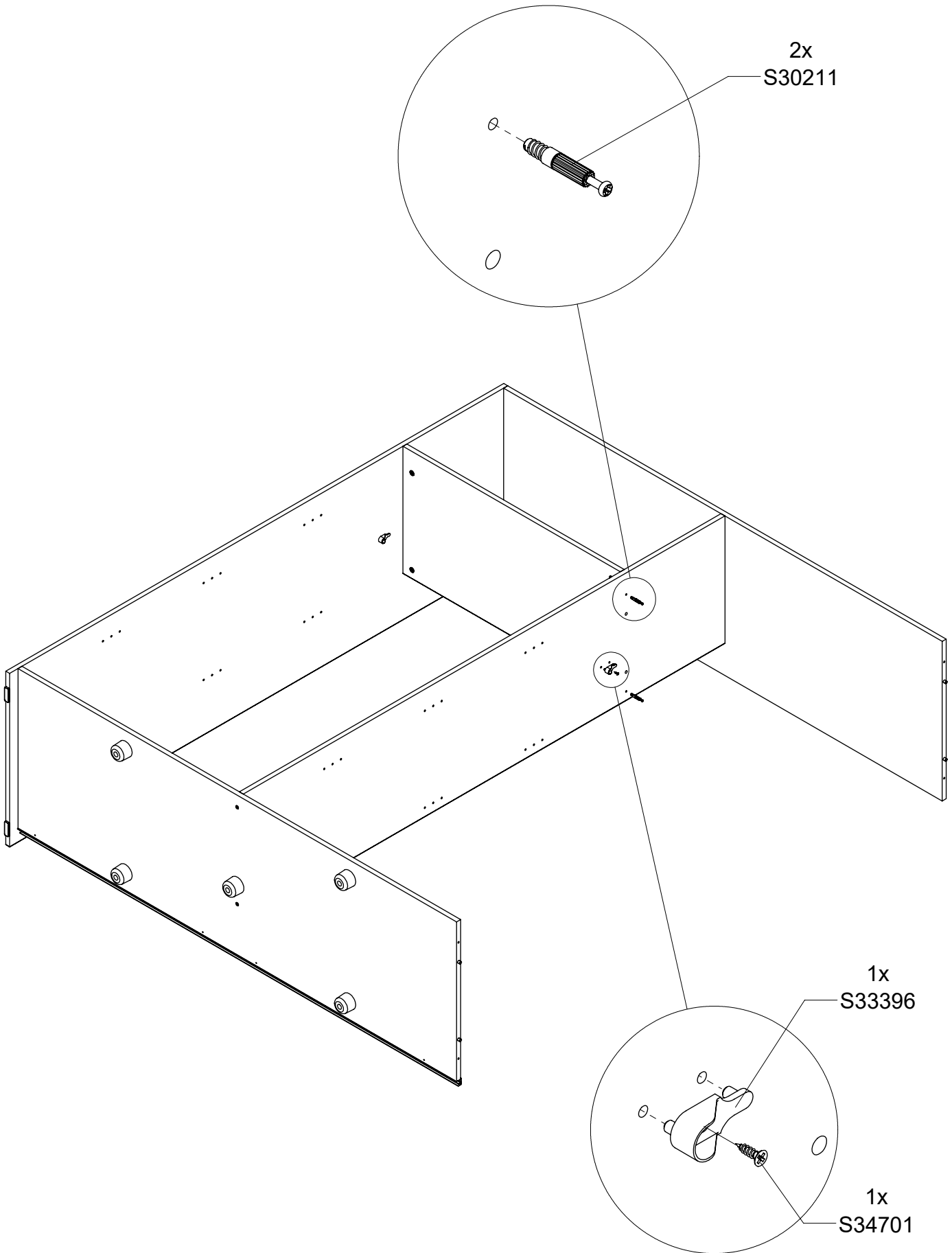
# 8 x2



9

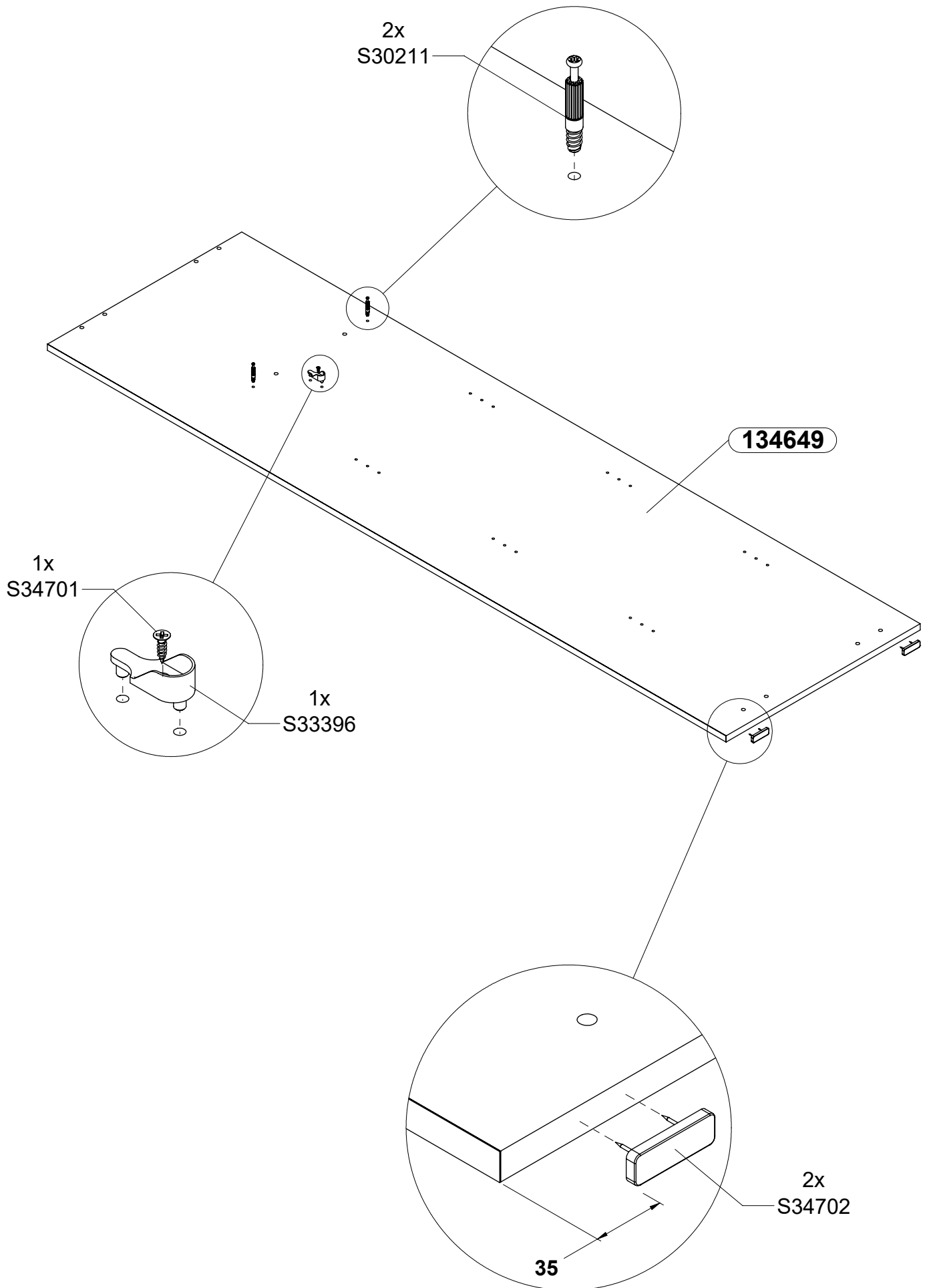


# 10

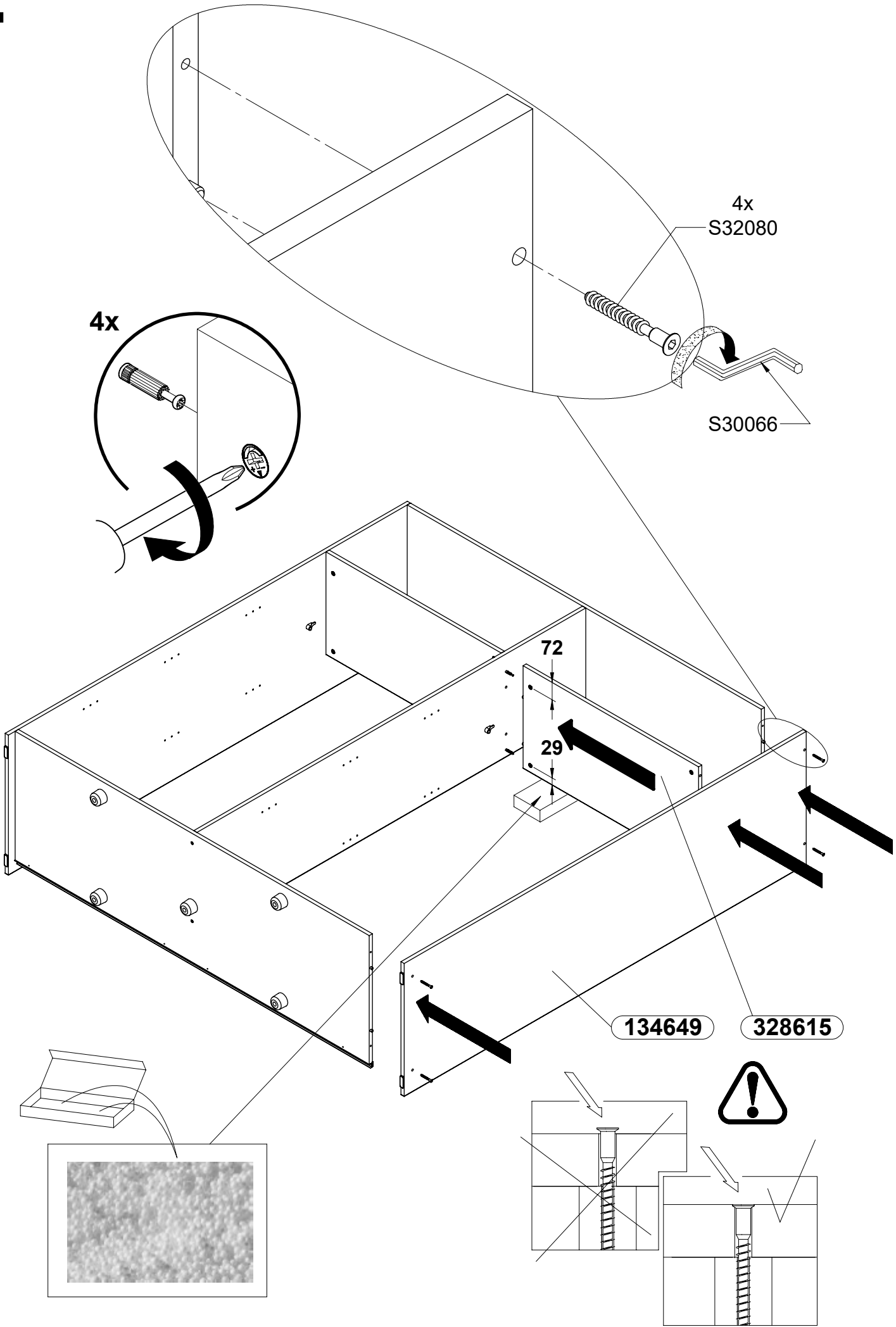




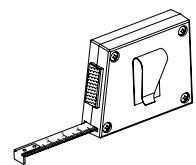
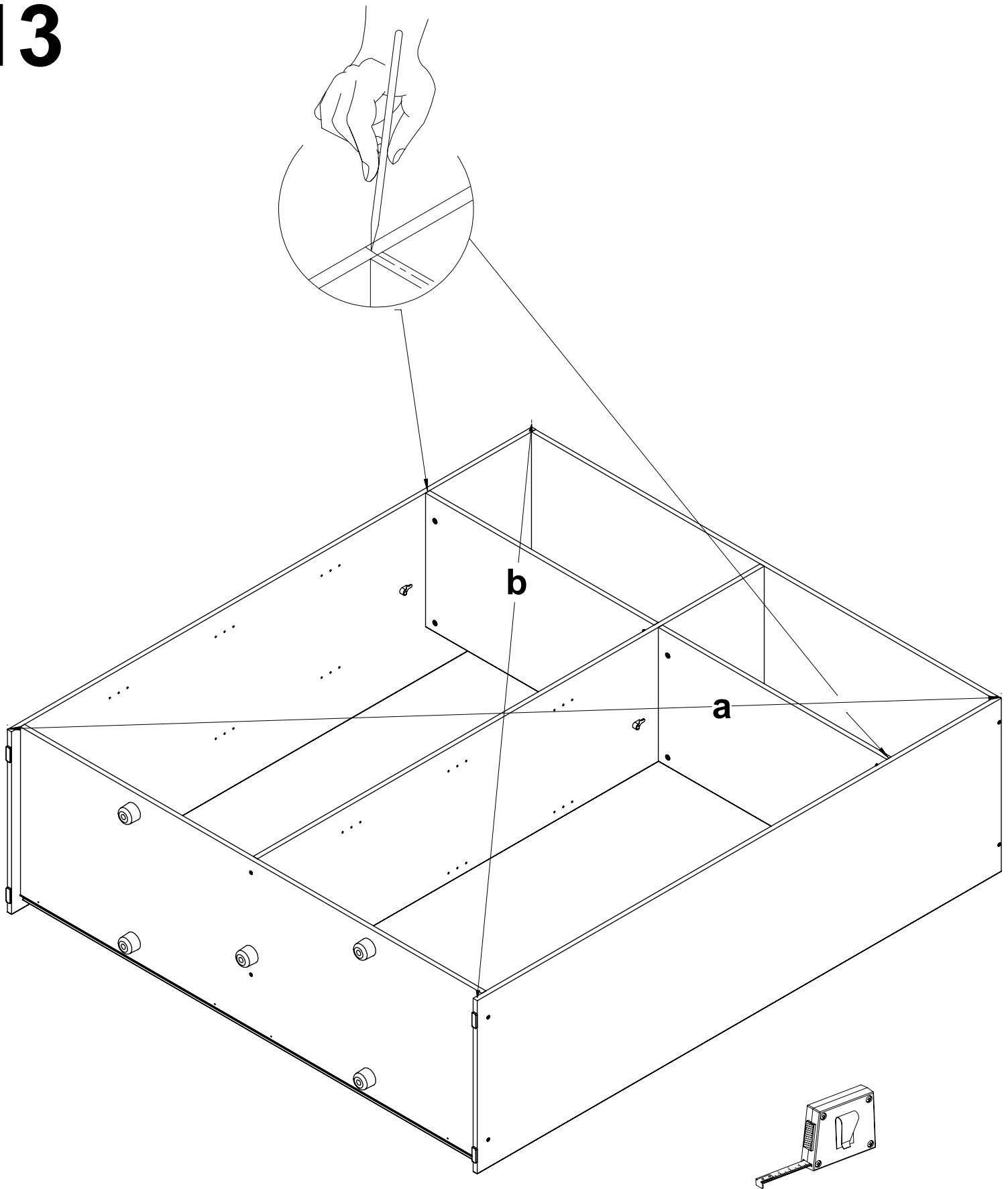
# 11



# 12

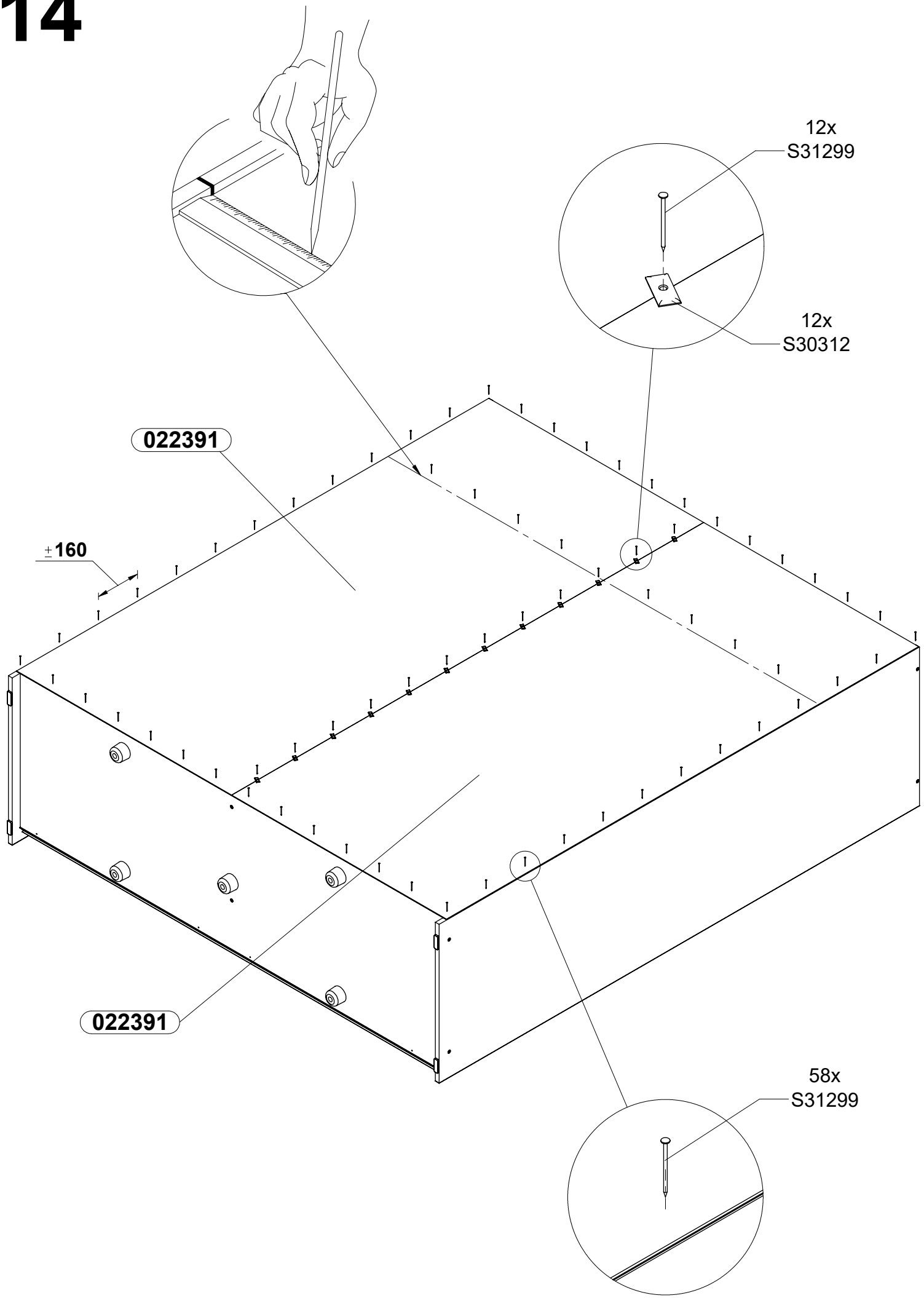


# 13



**a = b**

# 14



022391

±160

12x  
S31299

12x  
S30312

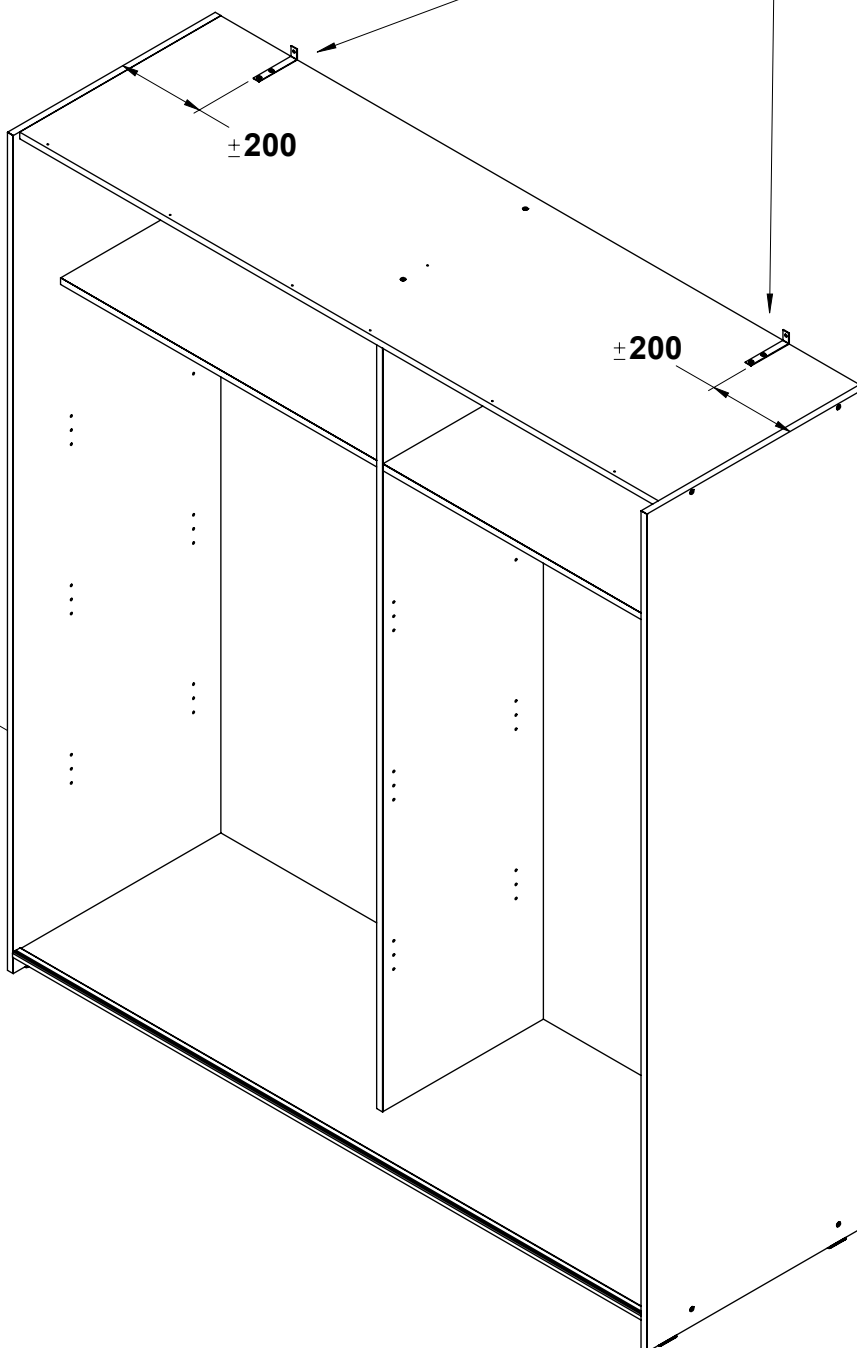
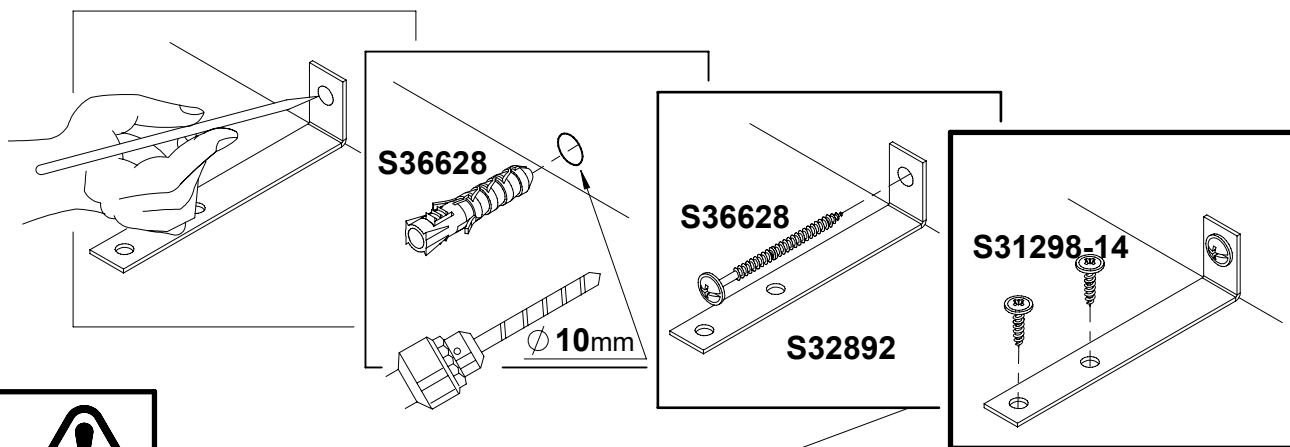
022391

58x  
S31299



-EN- Before suspending or fixing furniture to the wall (in order to prevent falling over), check the type and strength of the wall. Select wall plugs and screws appropriate for the given type of the wall. In the case of doubts, contact a specialist. The installation must be performed by a competent person. **WARNING!!!** If the rawlplugs with screws are attached to the product, then they are intended only for wall

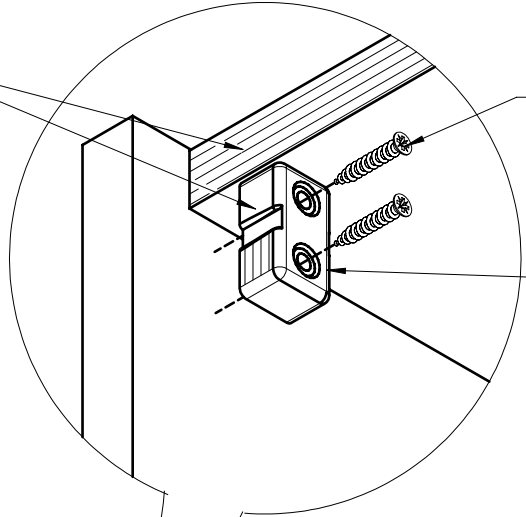
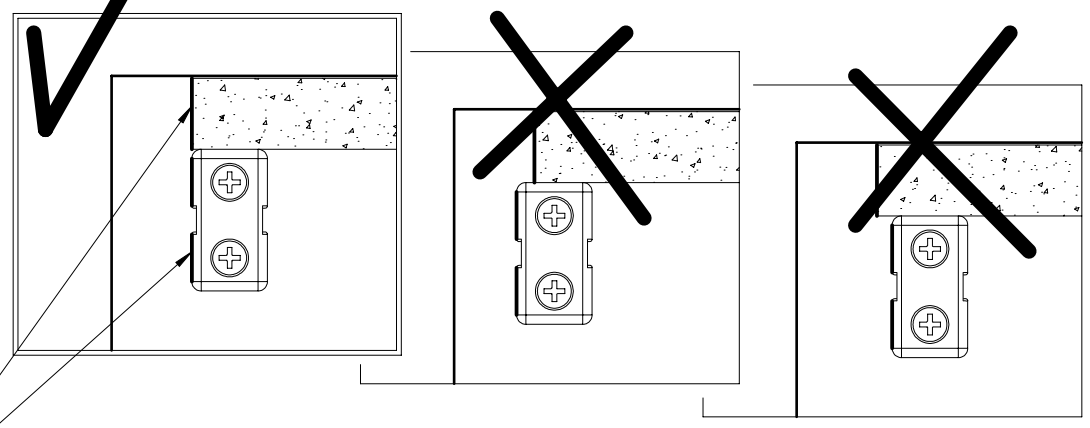
# 15



# 16

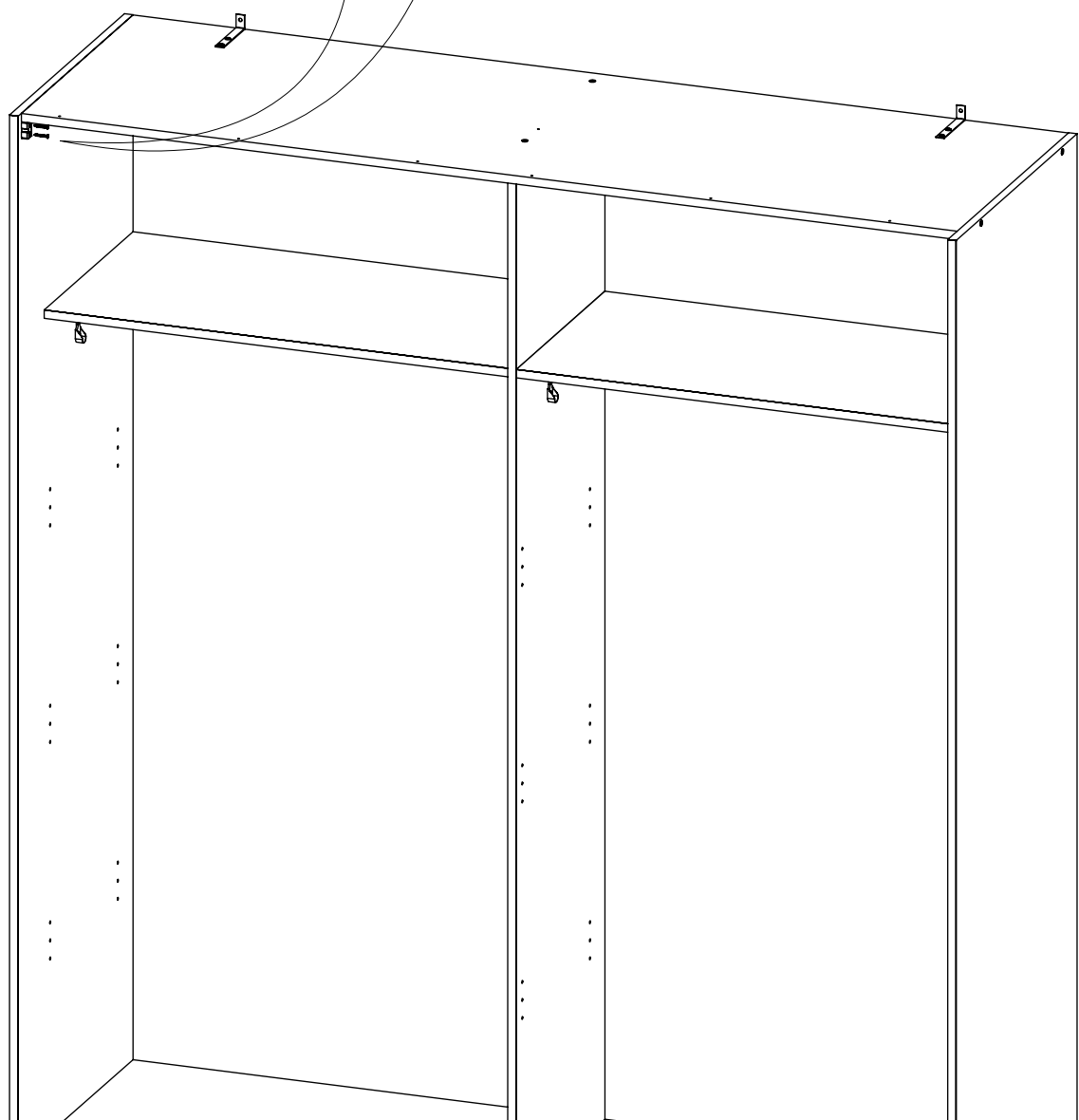


=

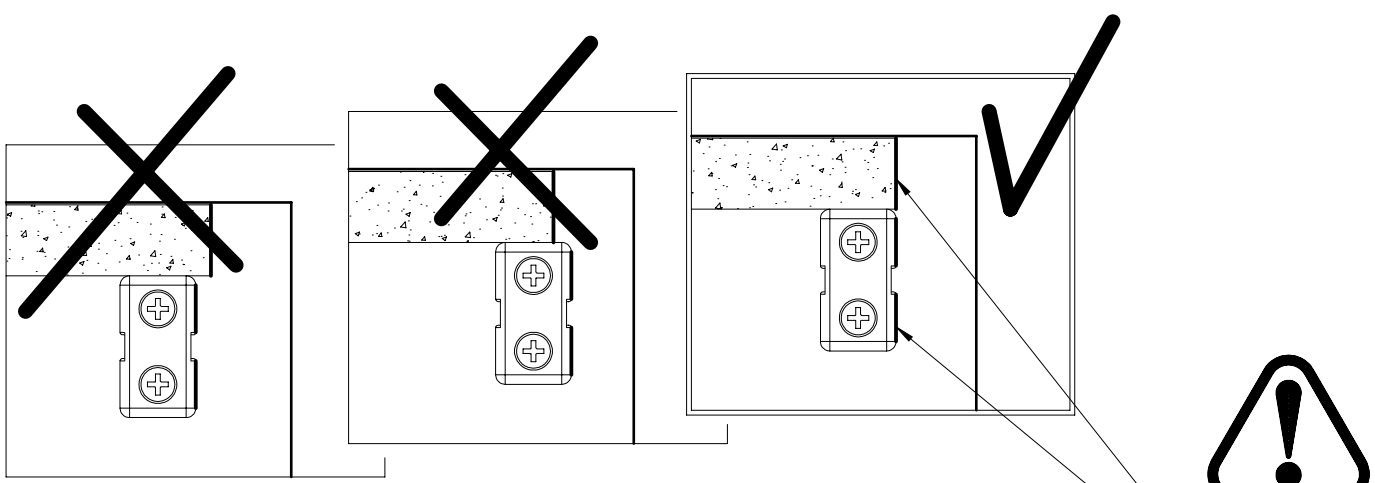


2x  
S30129

1x  
S36165

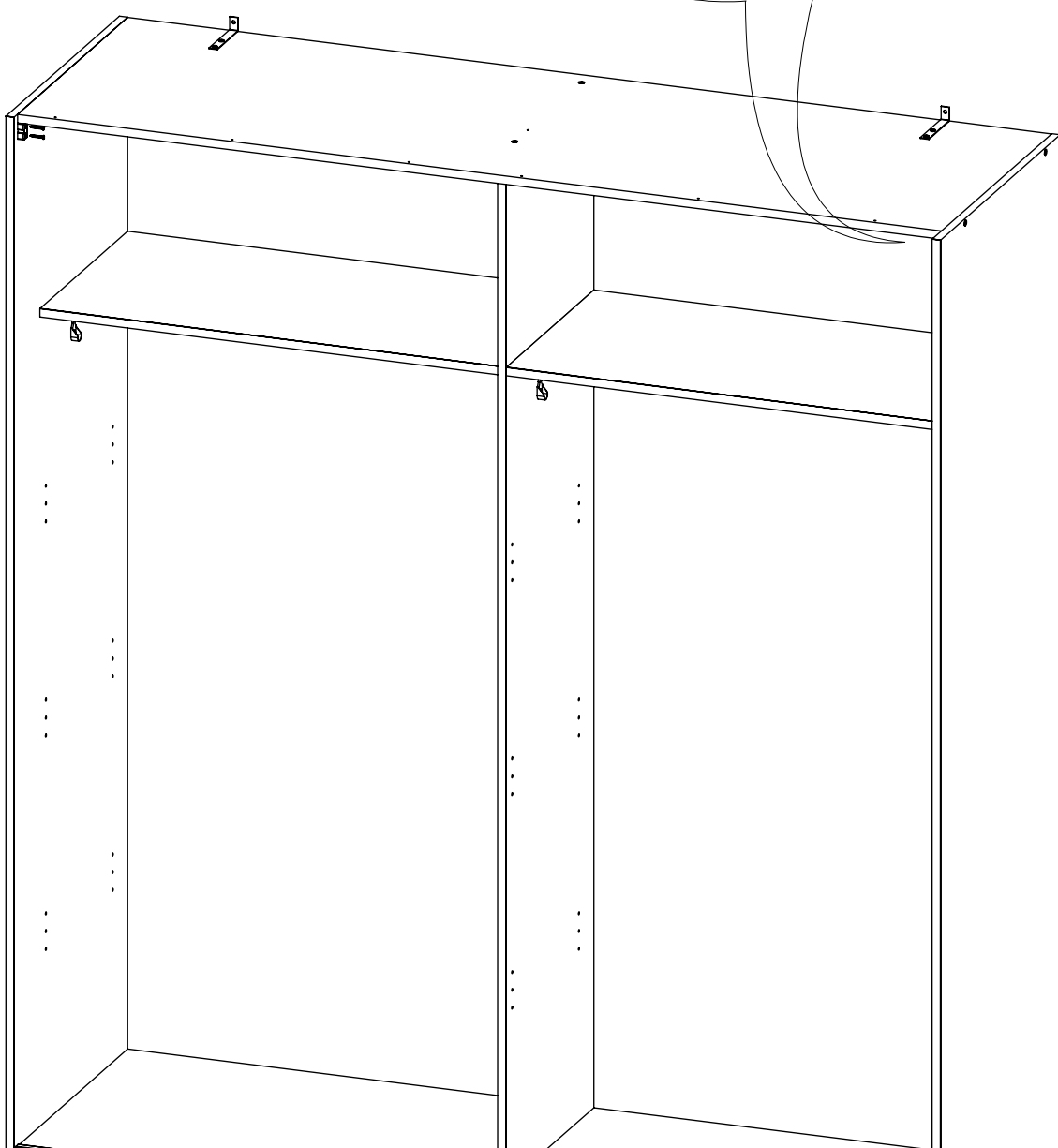
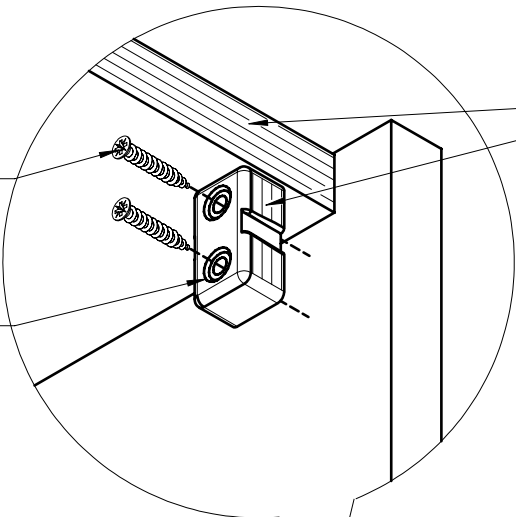


# 17



2x  
S30129

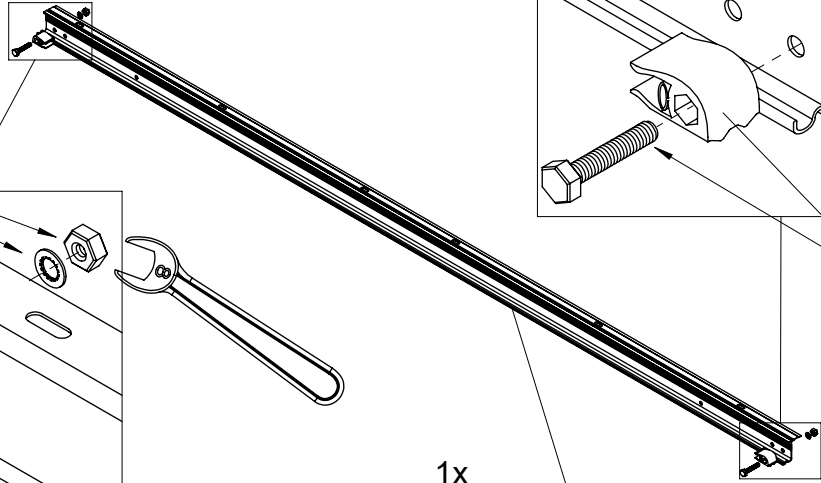
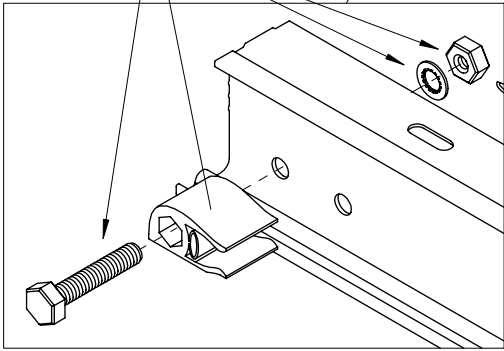
1x  
S36165



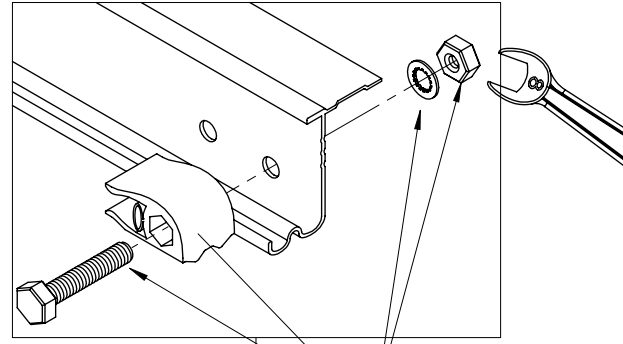


# 18

1x  
S36482-N



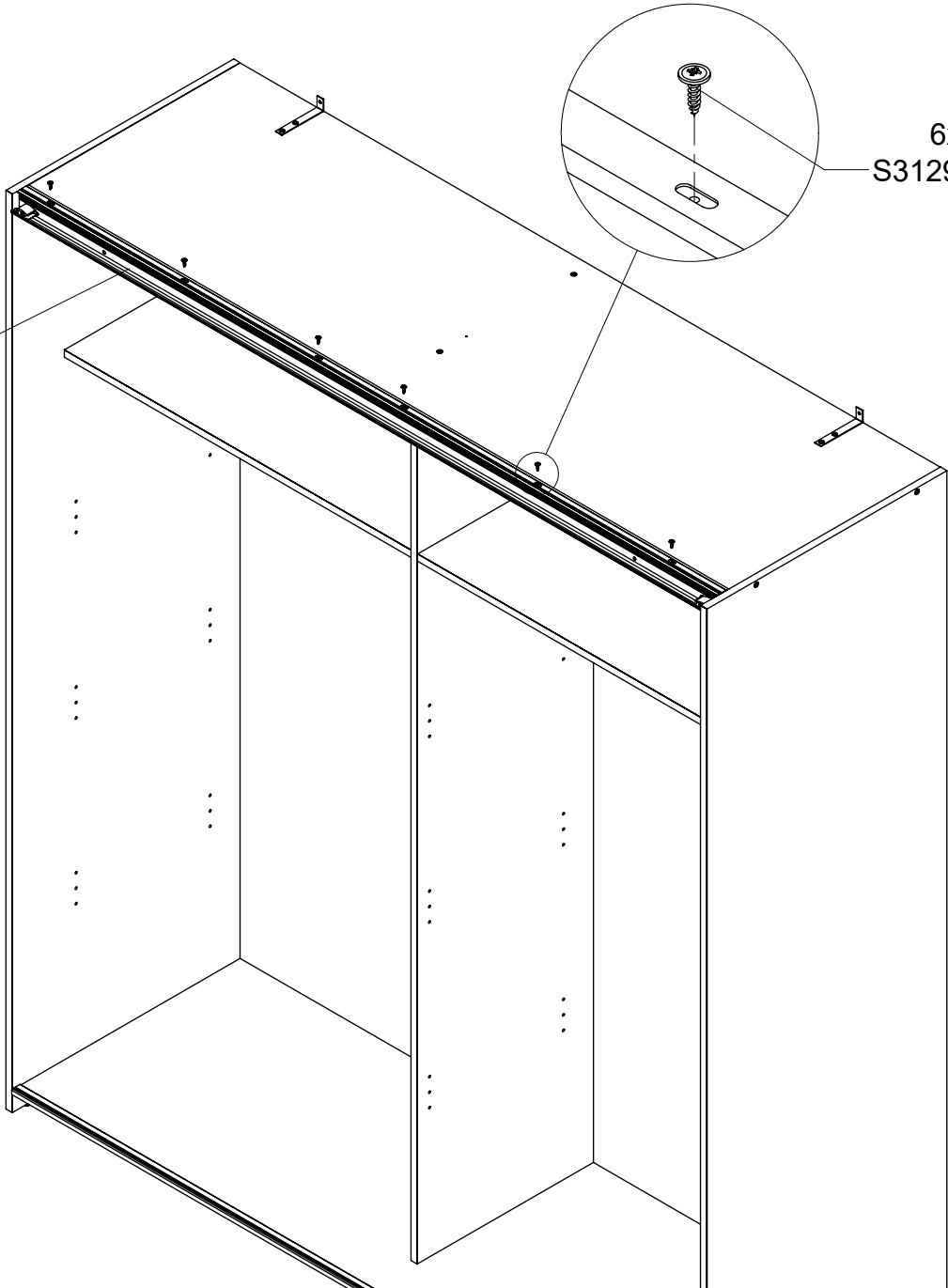
1x  
S37911-N



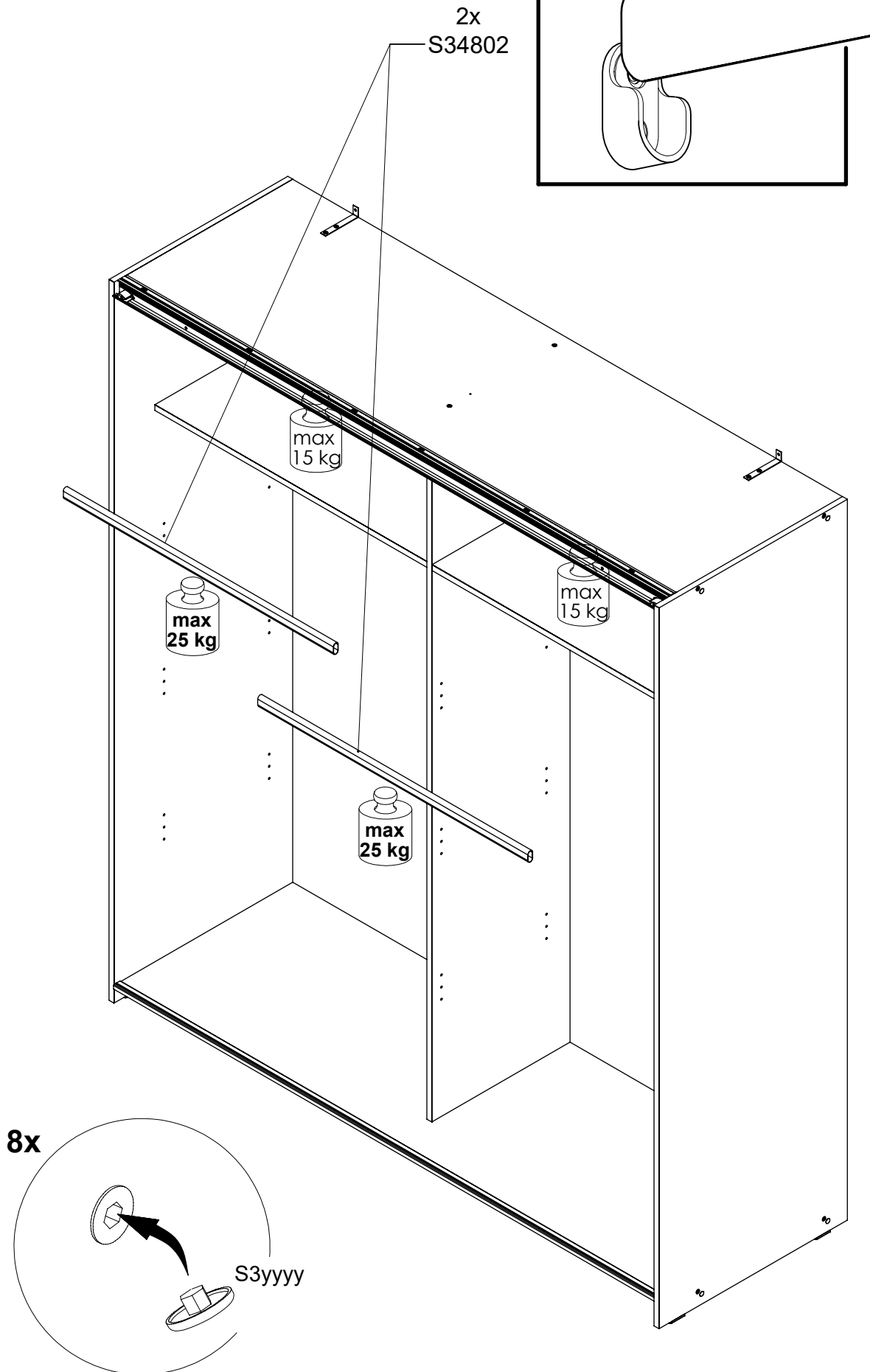
1x  
S36482-N

# 19

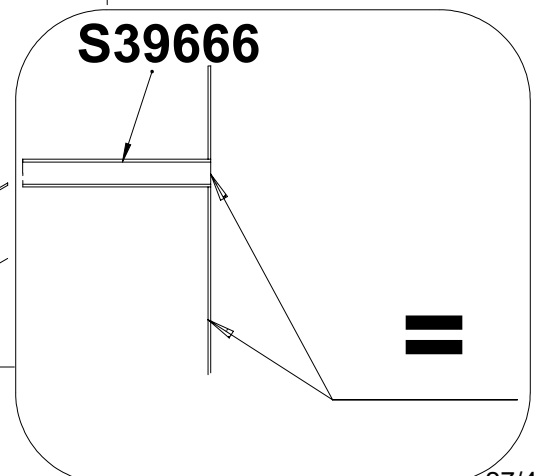
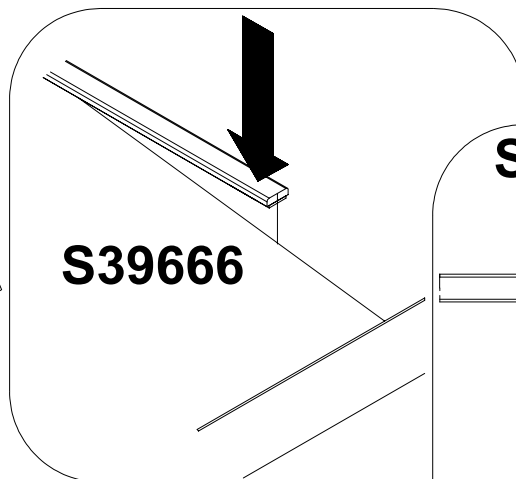
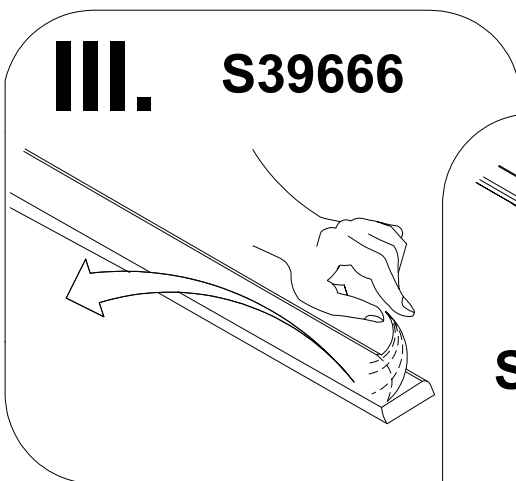
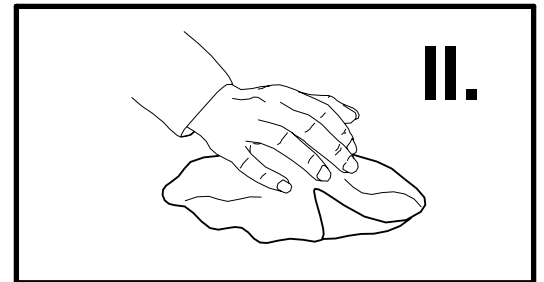
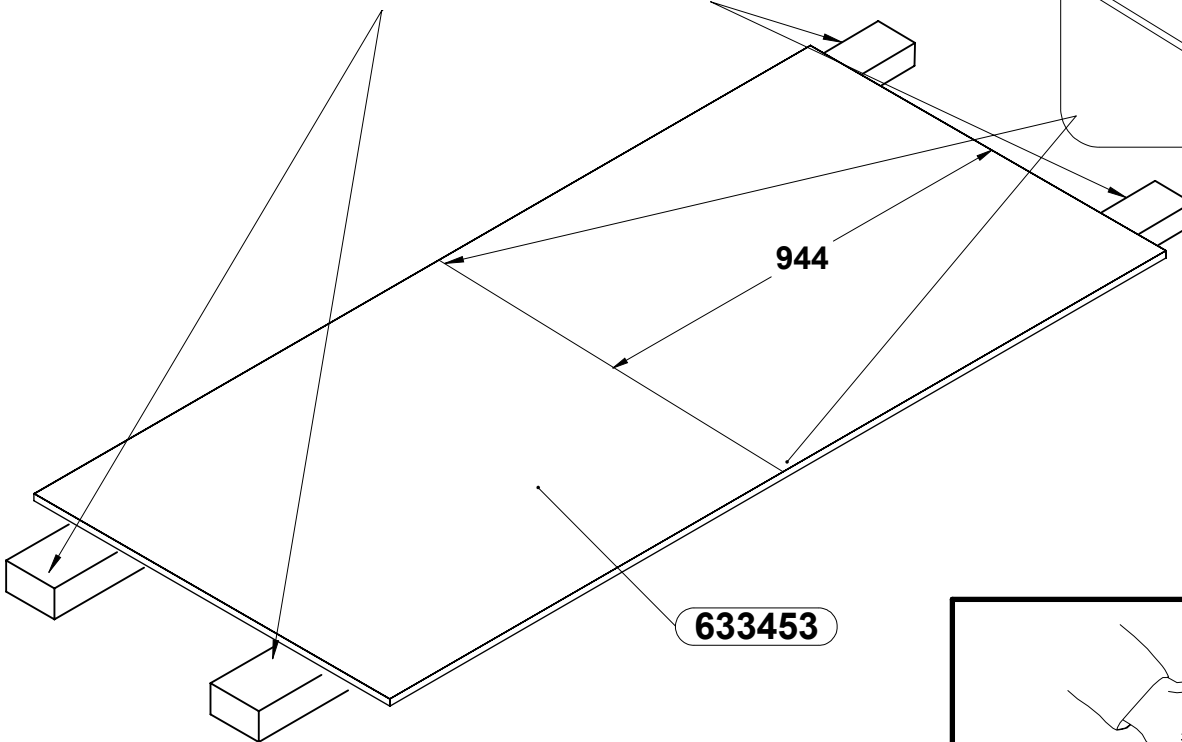
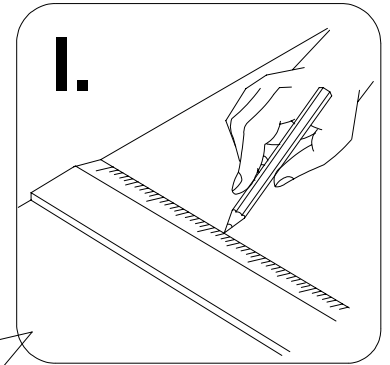
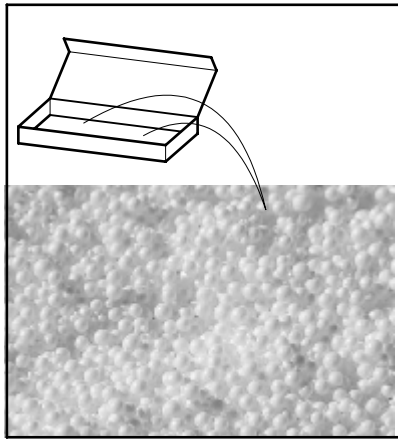
1x  
S37911-N



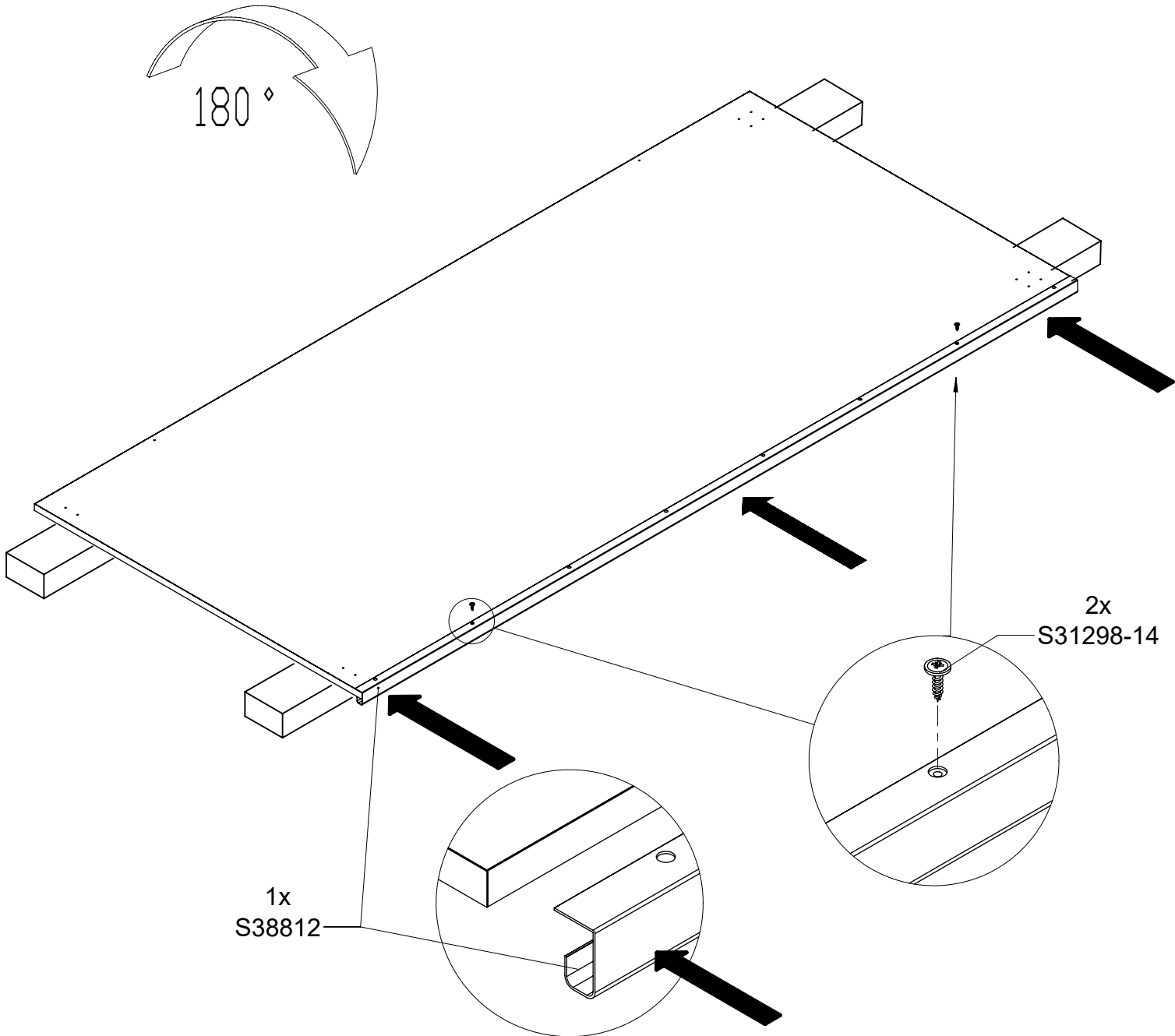
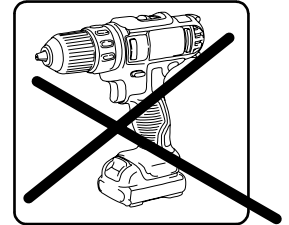
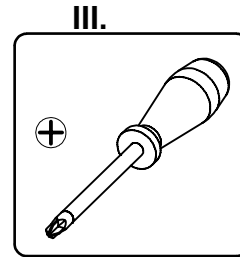
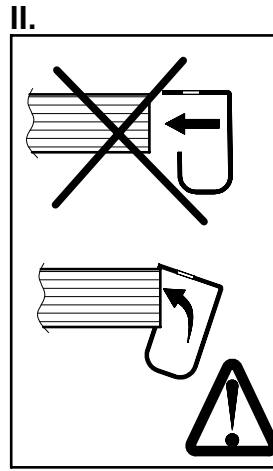
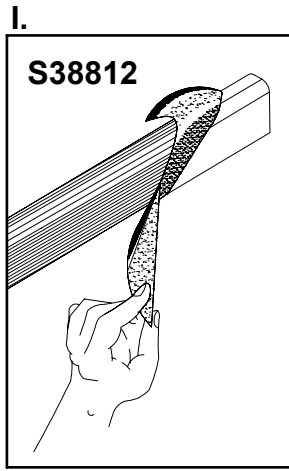
6x  
S31298-14



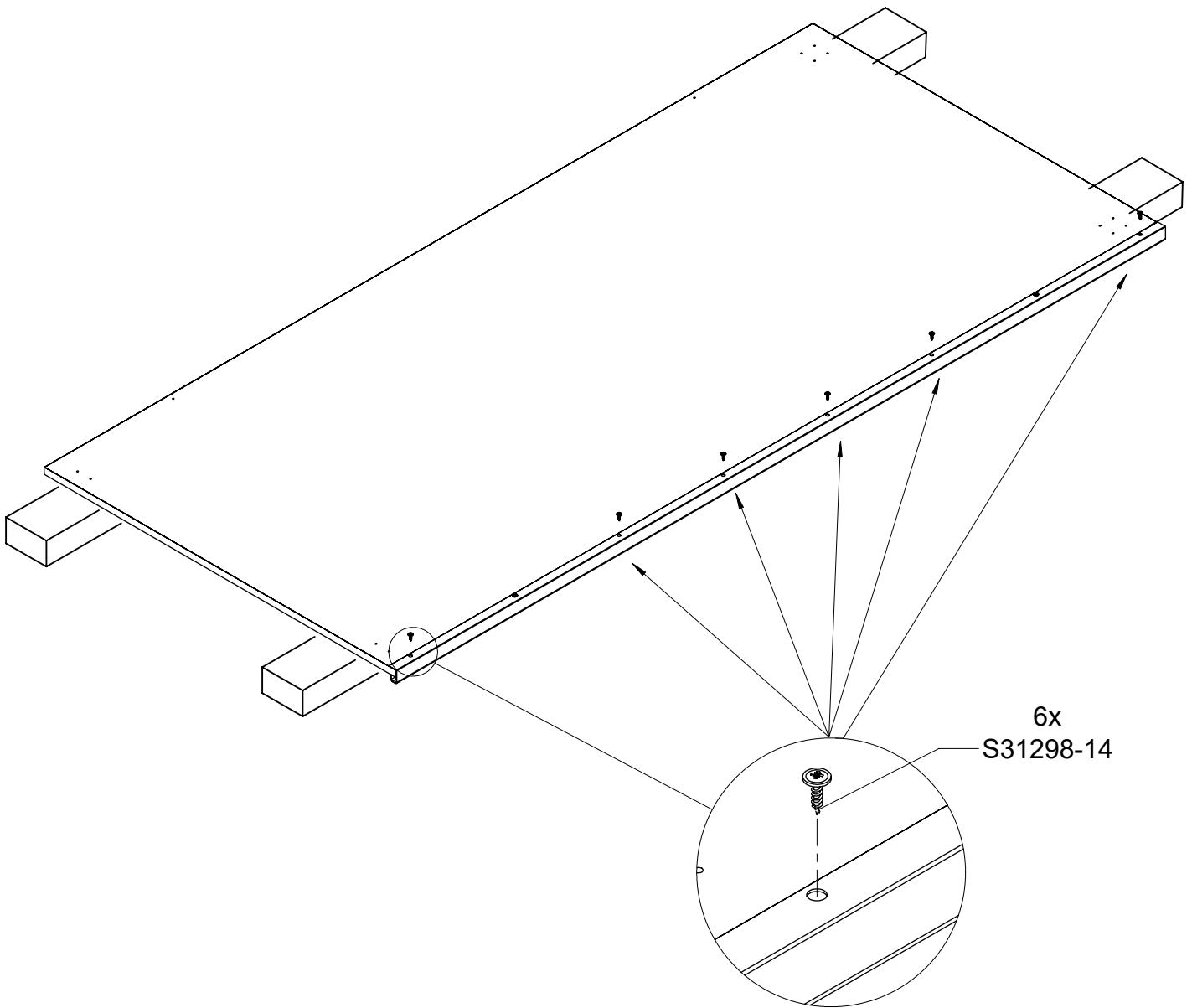
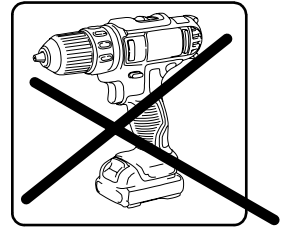
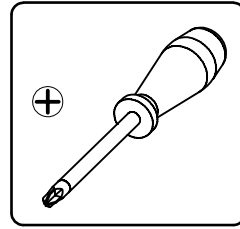
# 21x1



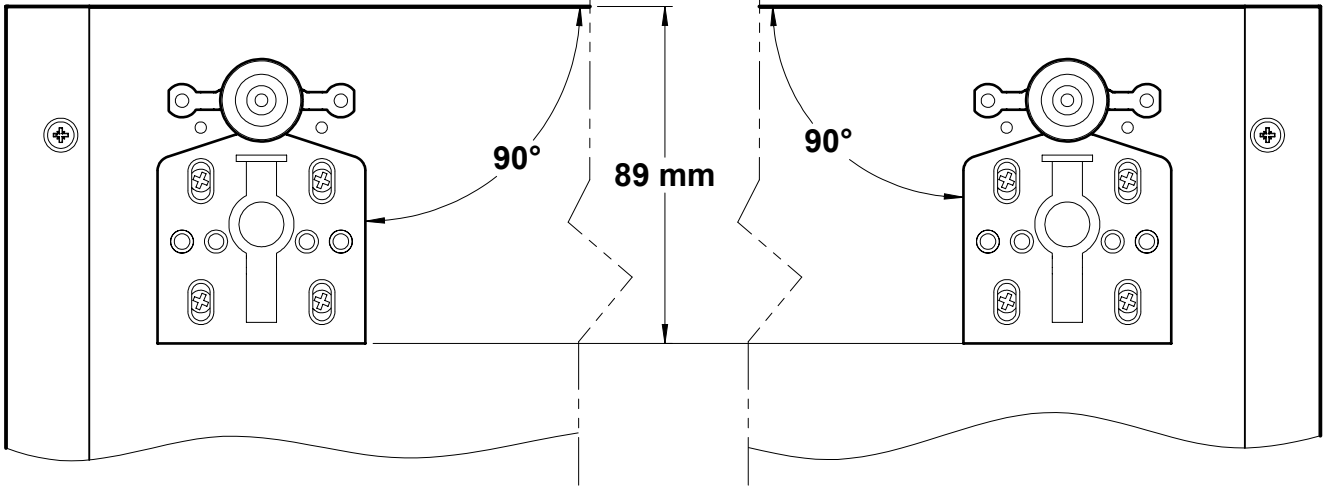
# 22x1



23 x1

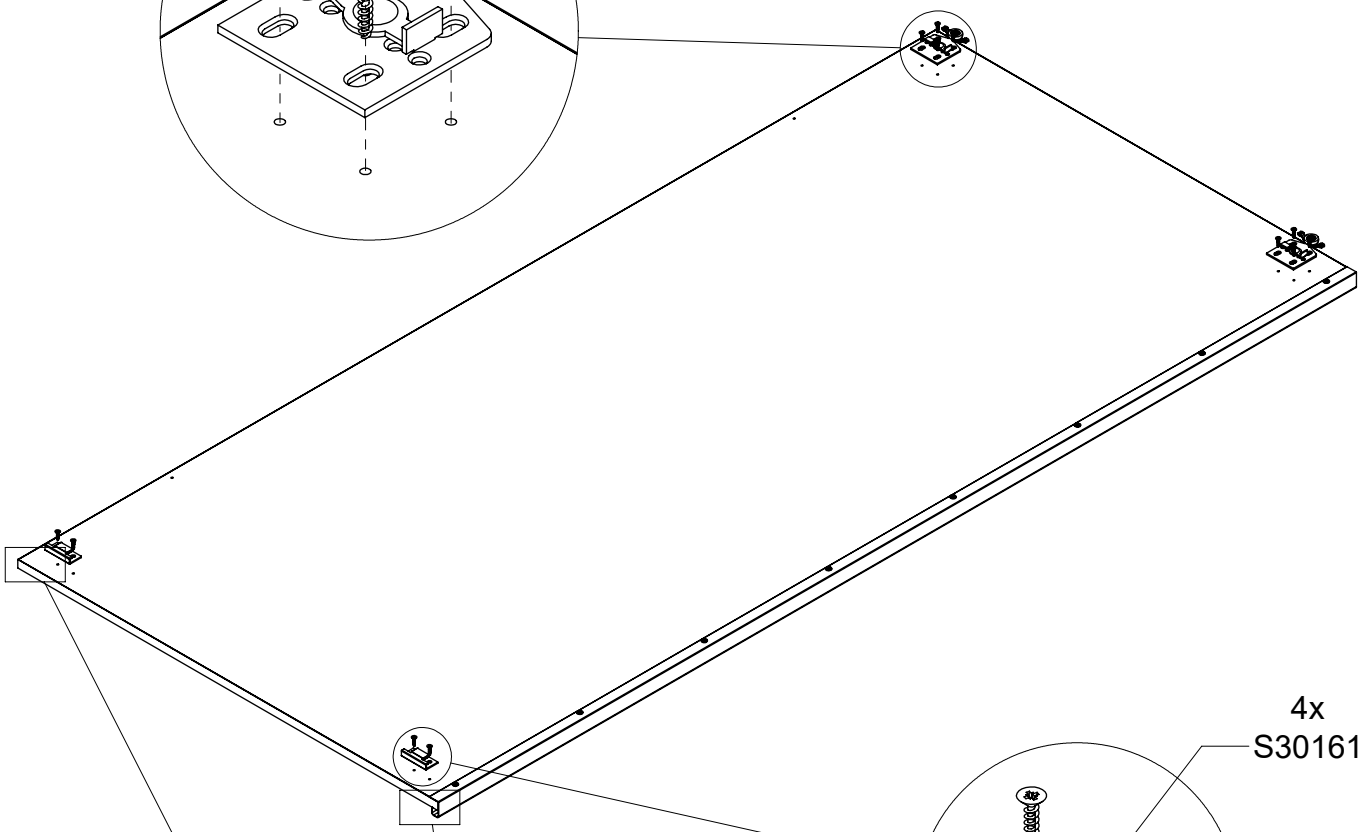
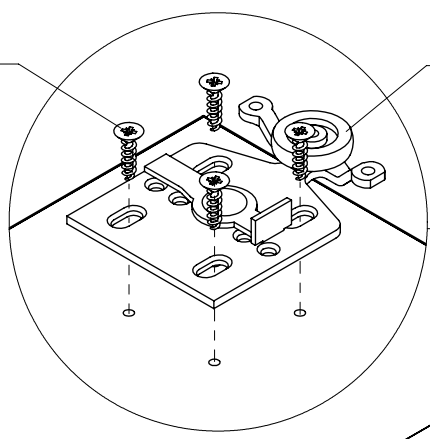


# 24x1



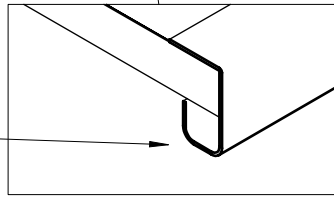
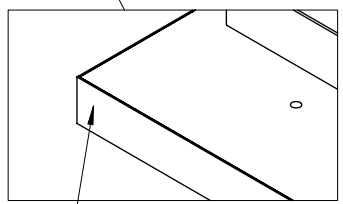
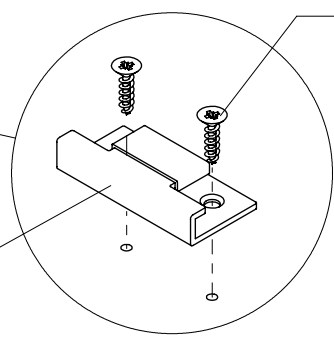
8x  
S30161

2x  
S36479-N

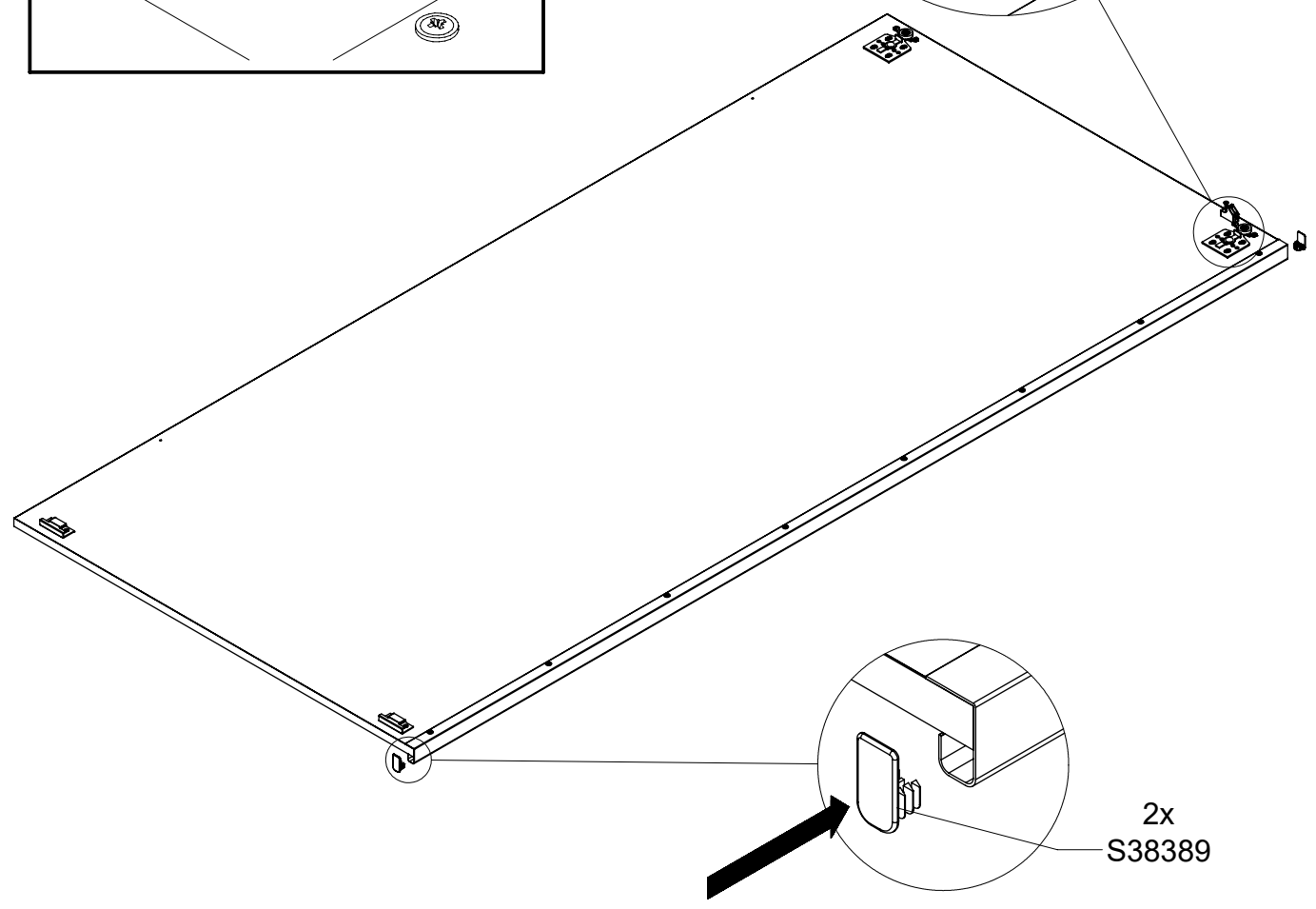
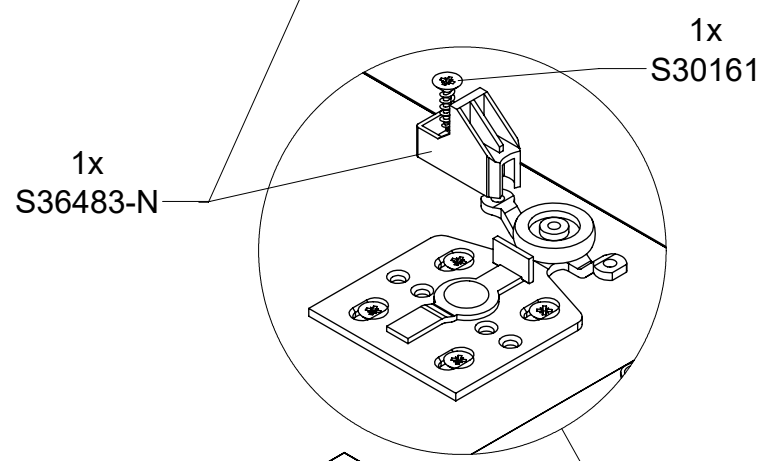
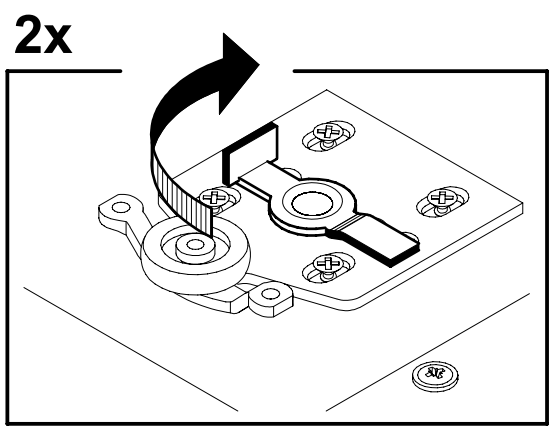
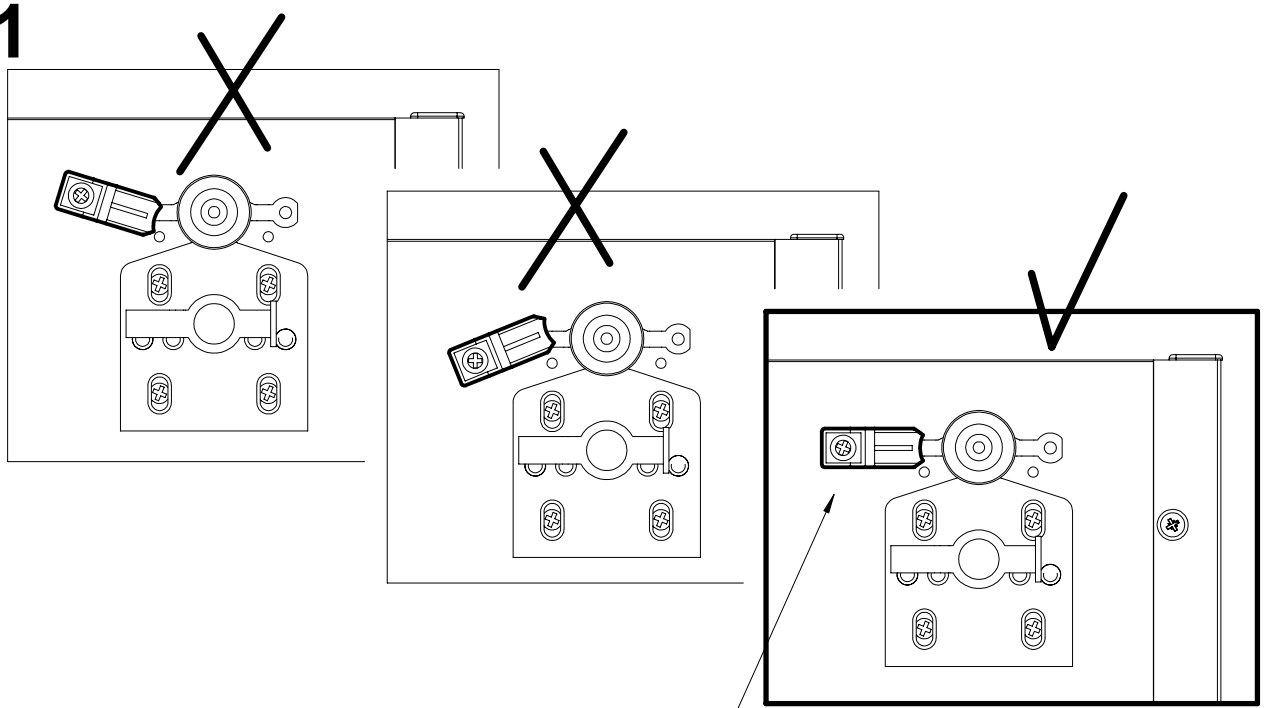


4x  
S30161

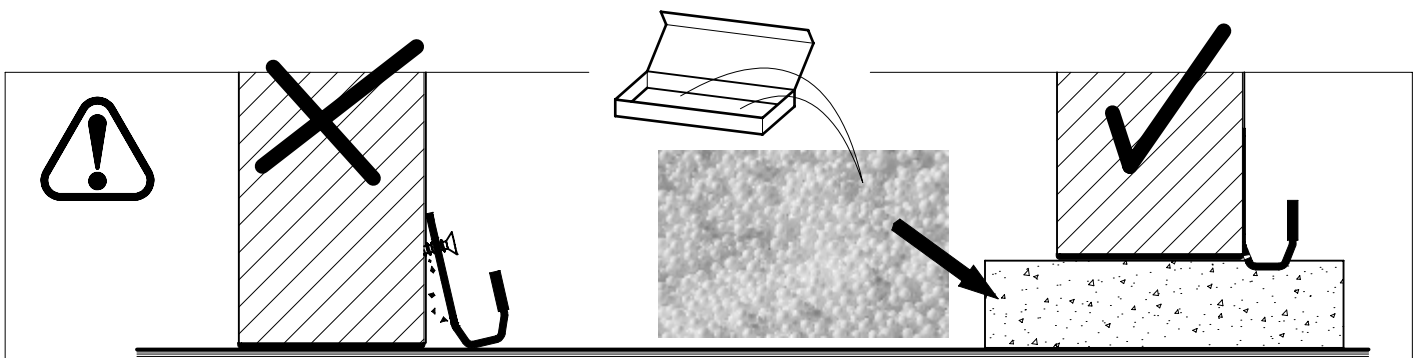
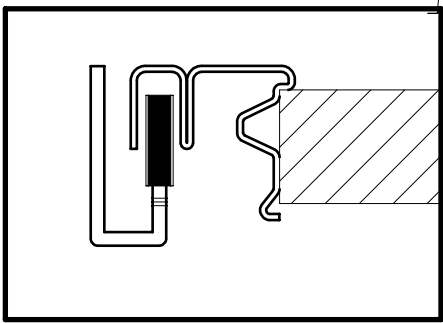
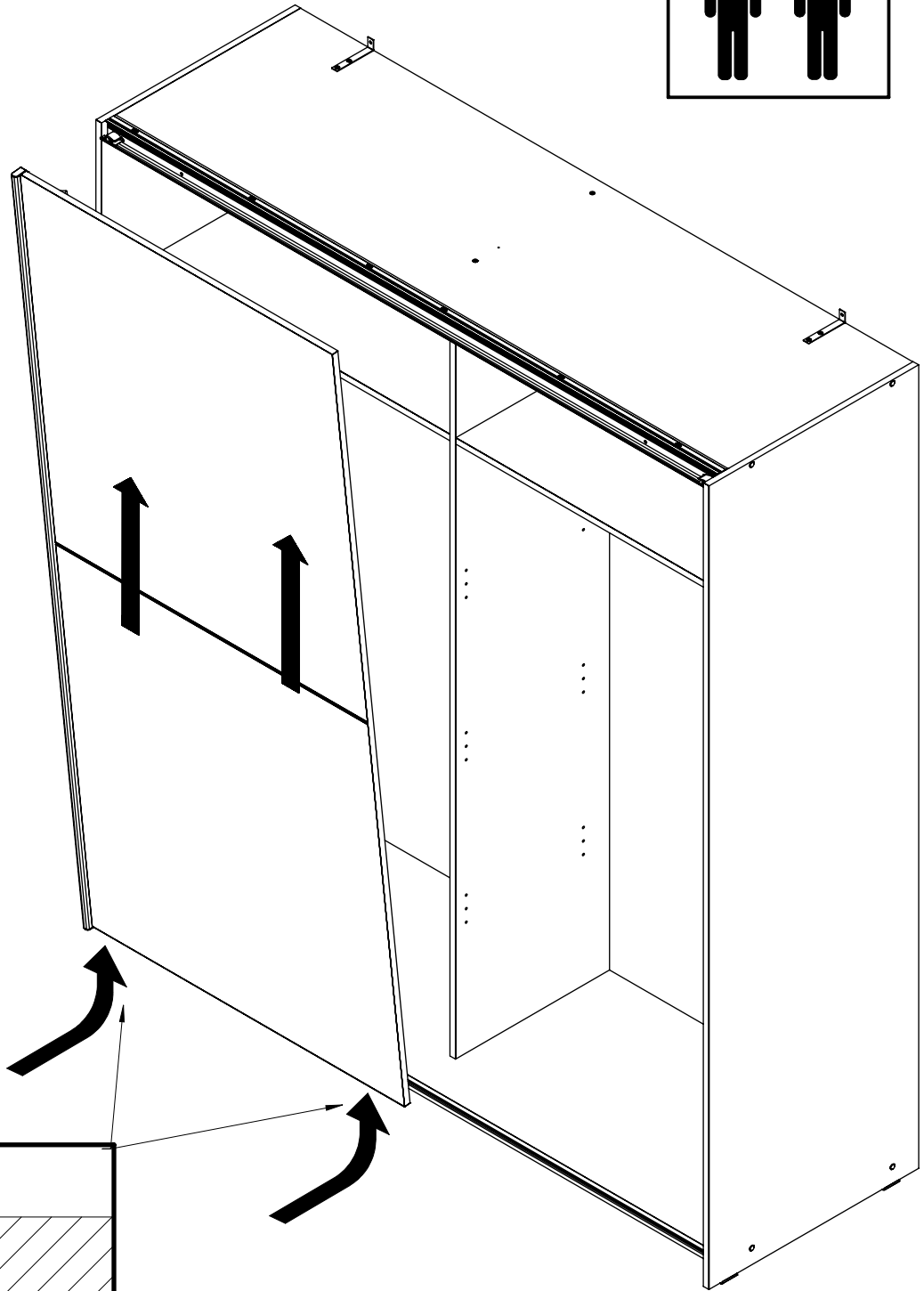
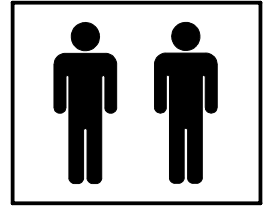
2x  
S36481-N



# 25x1

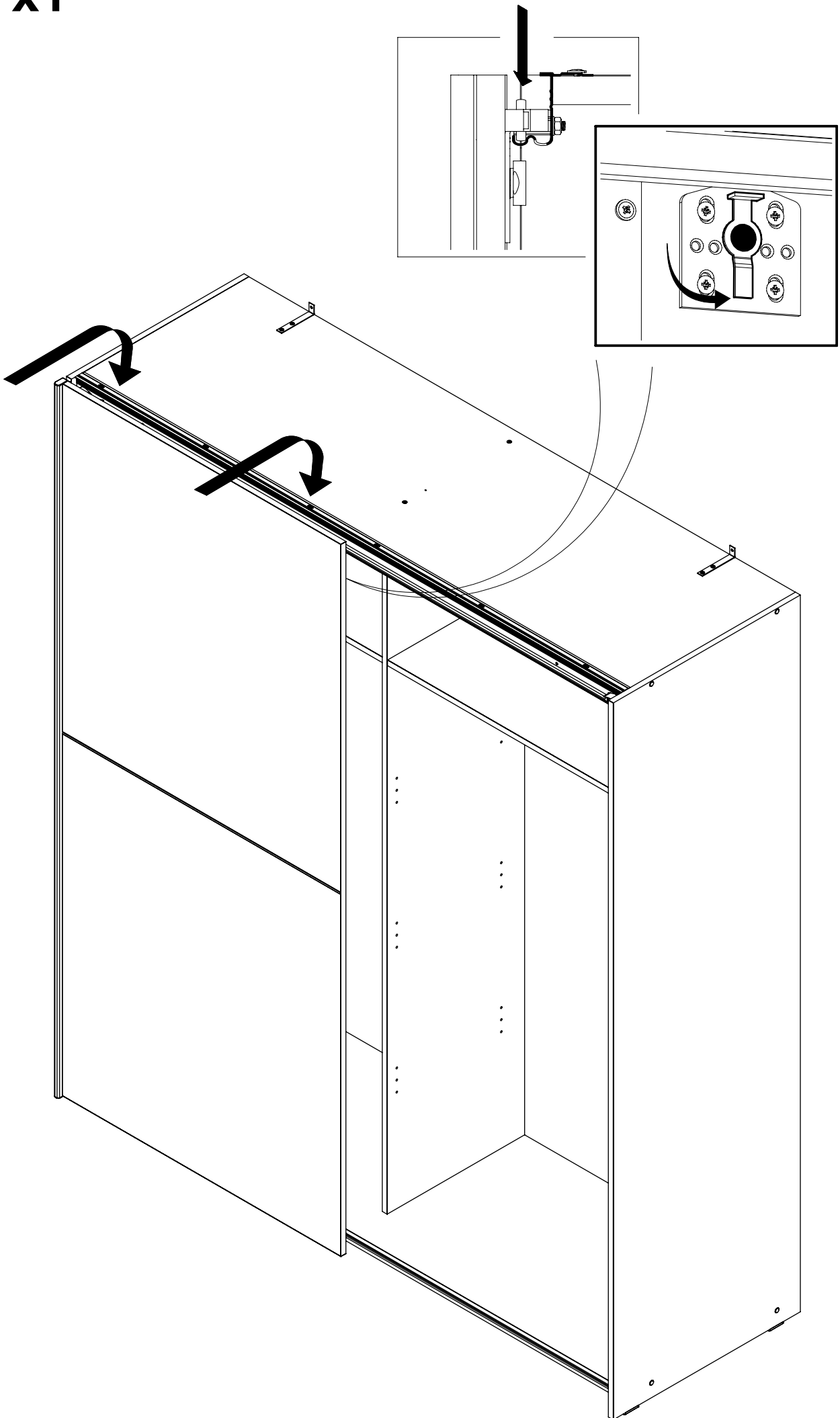


# 26x1

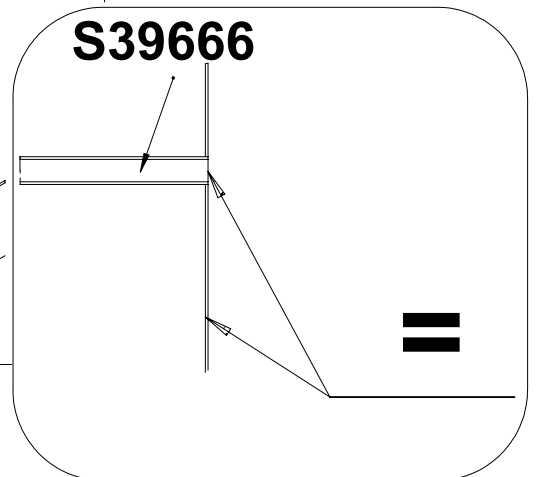
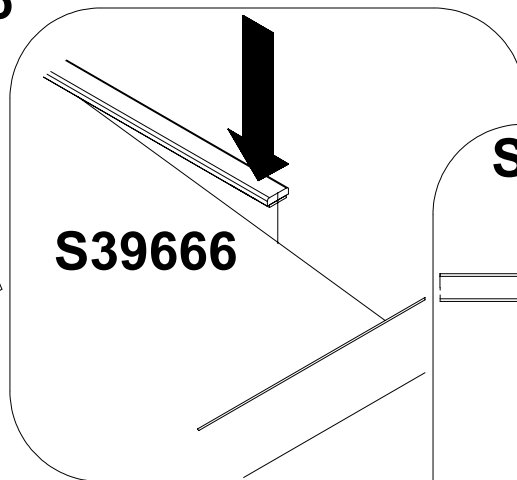
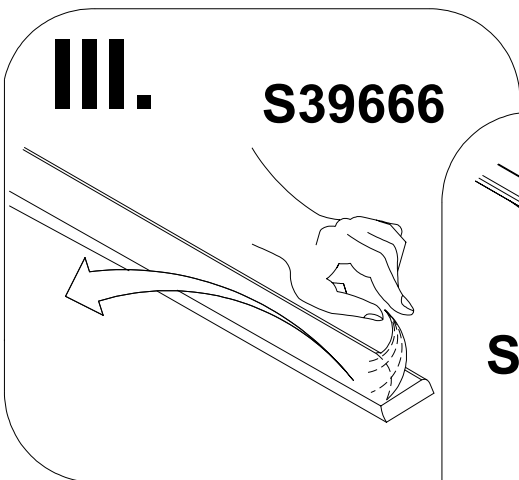
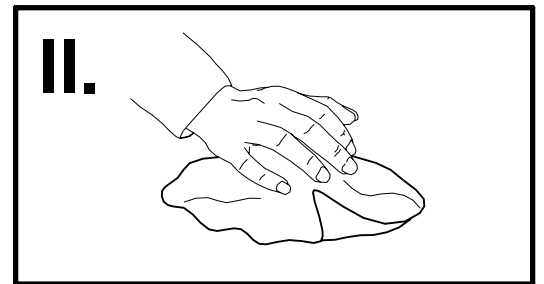
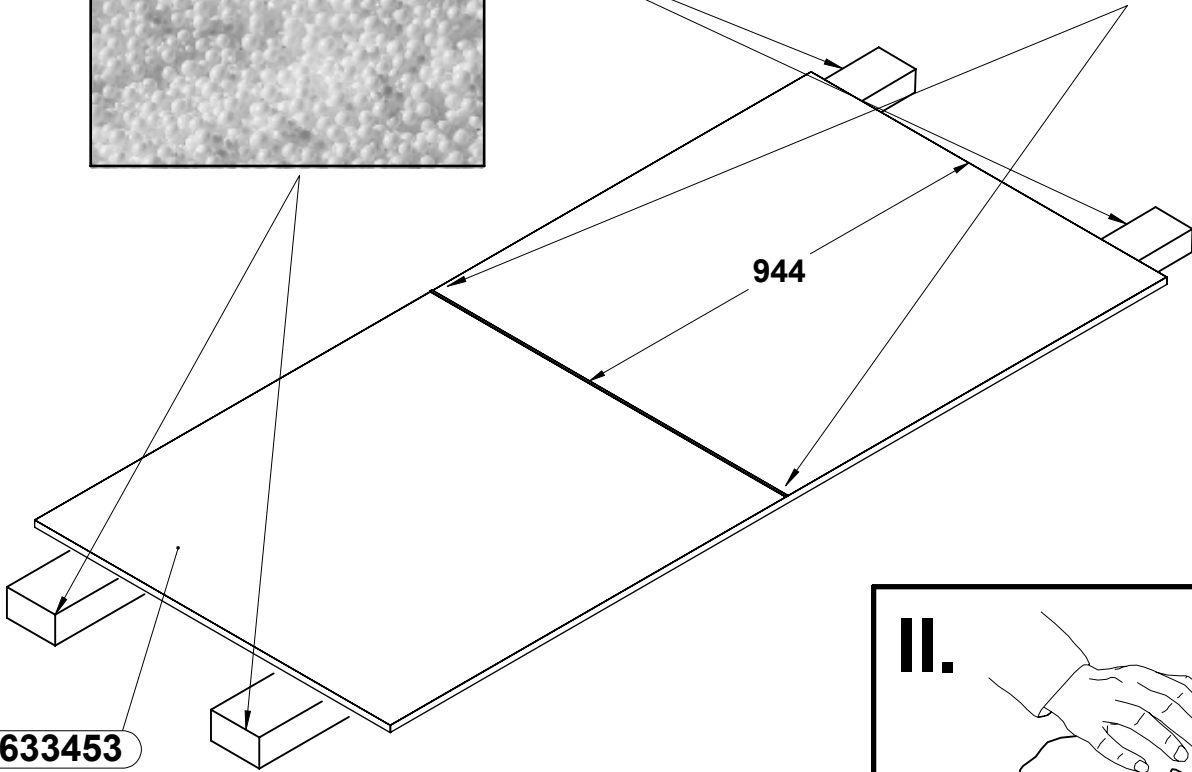
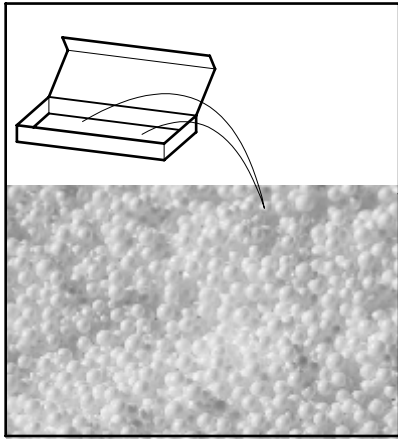
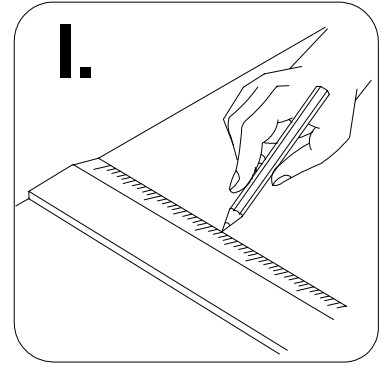




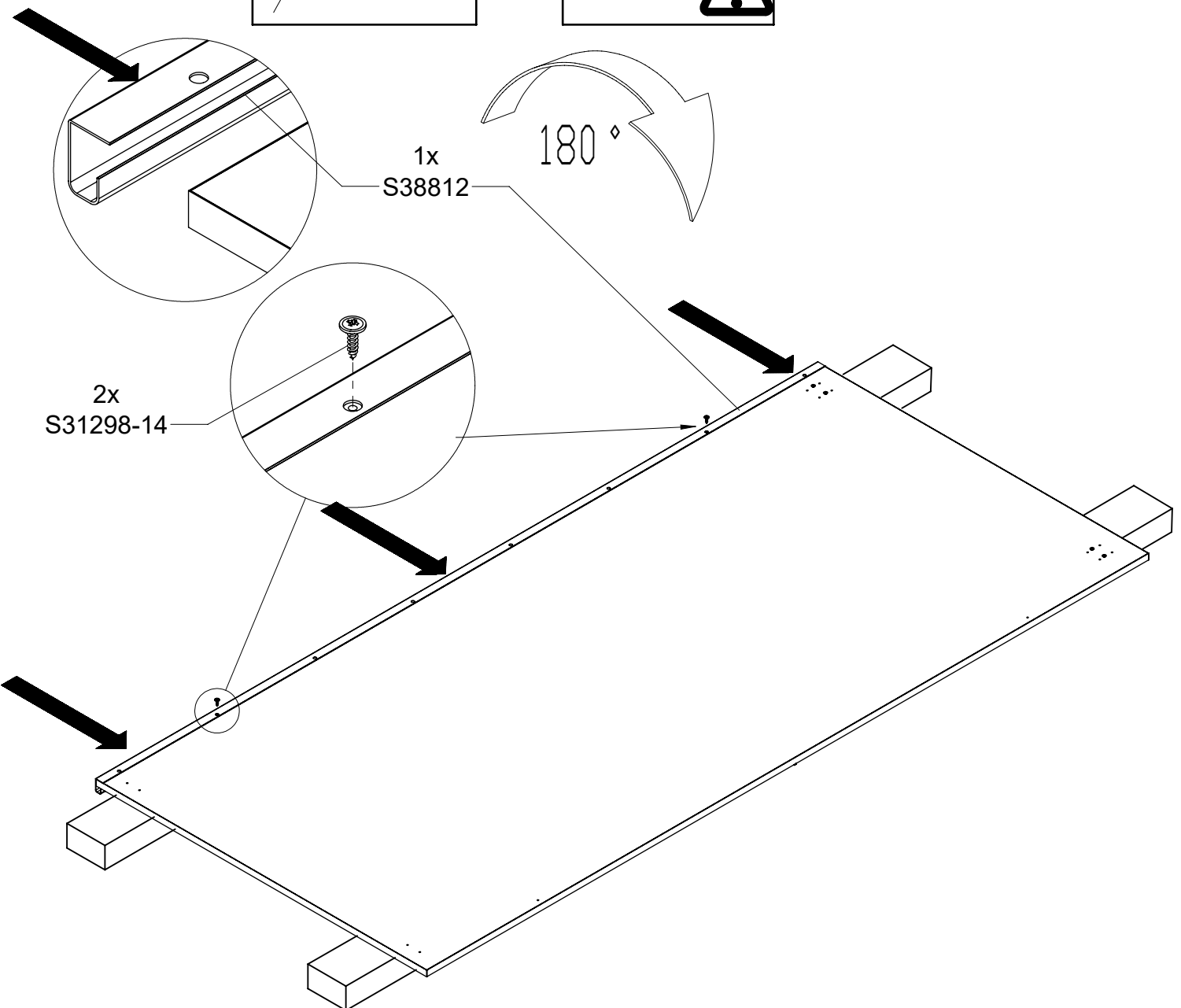
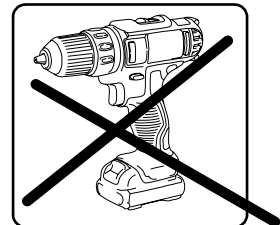
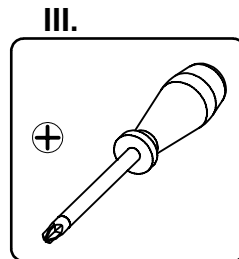
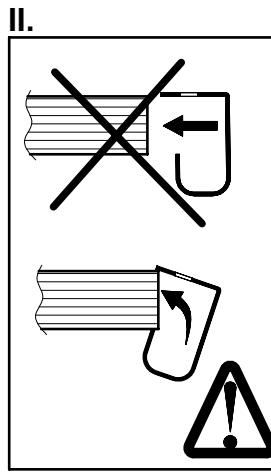
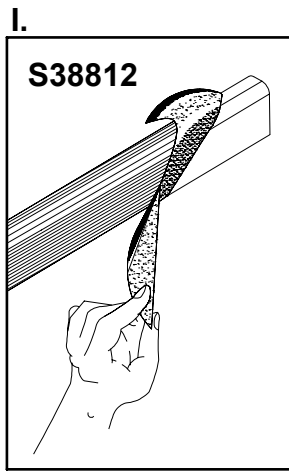
27 x1



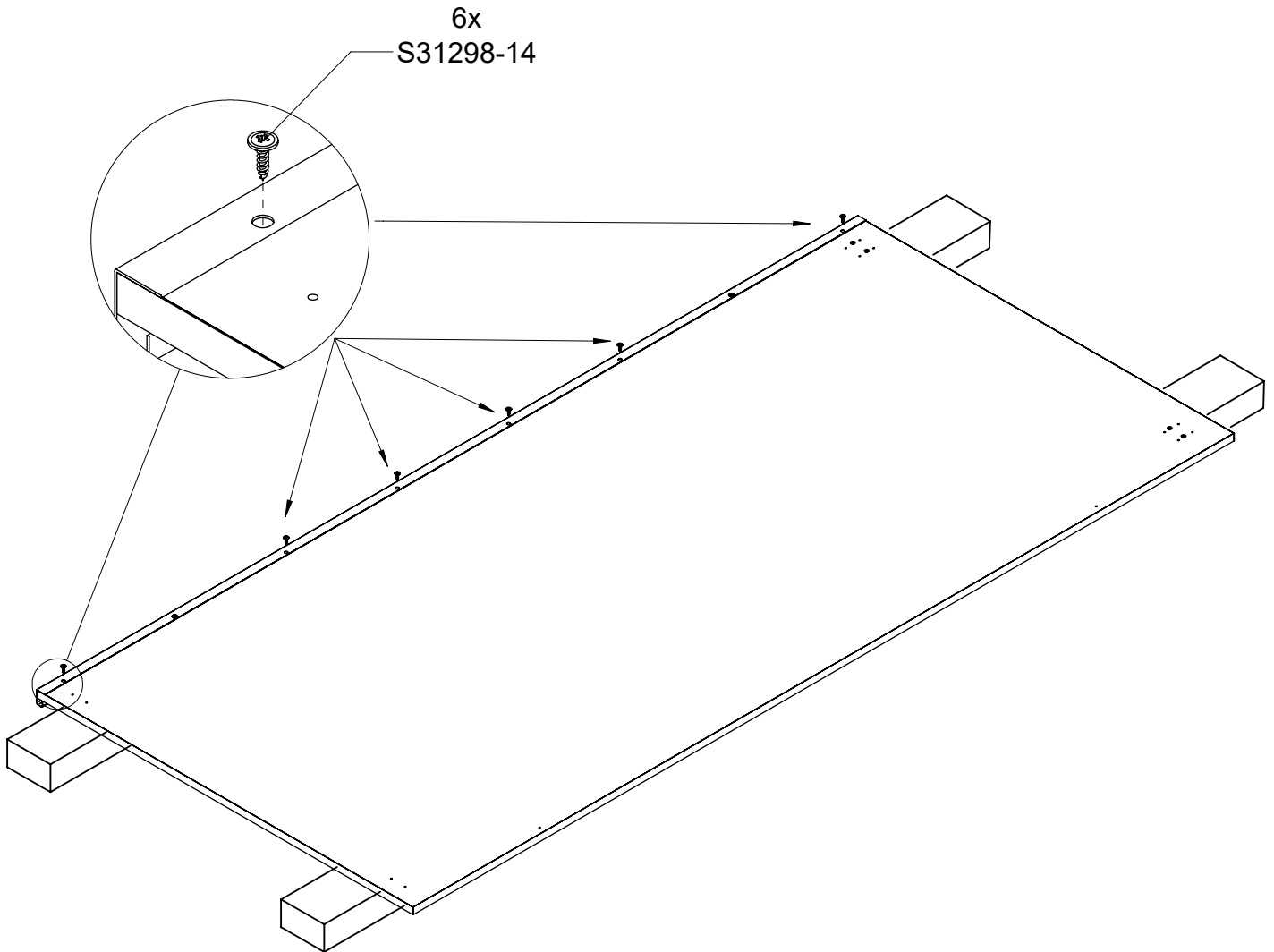
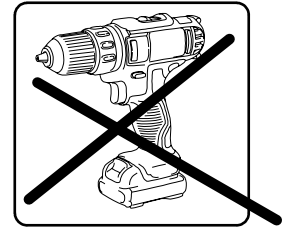
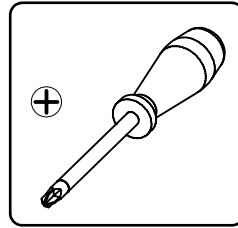
# 28x1



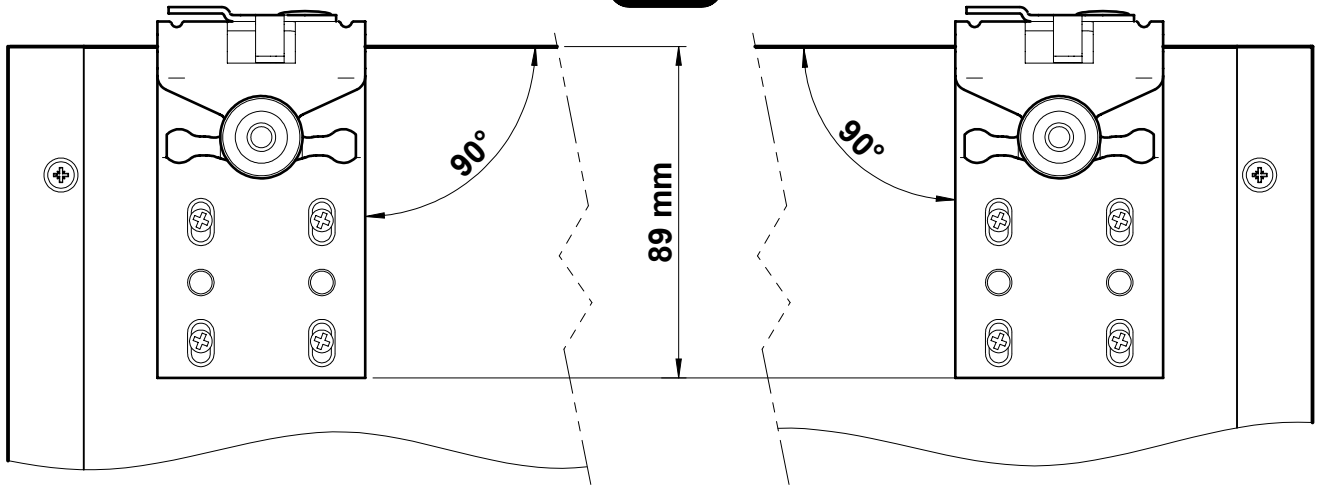
# 29x1



# 30x1

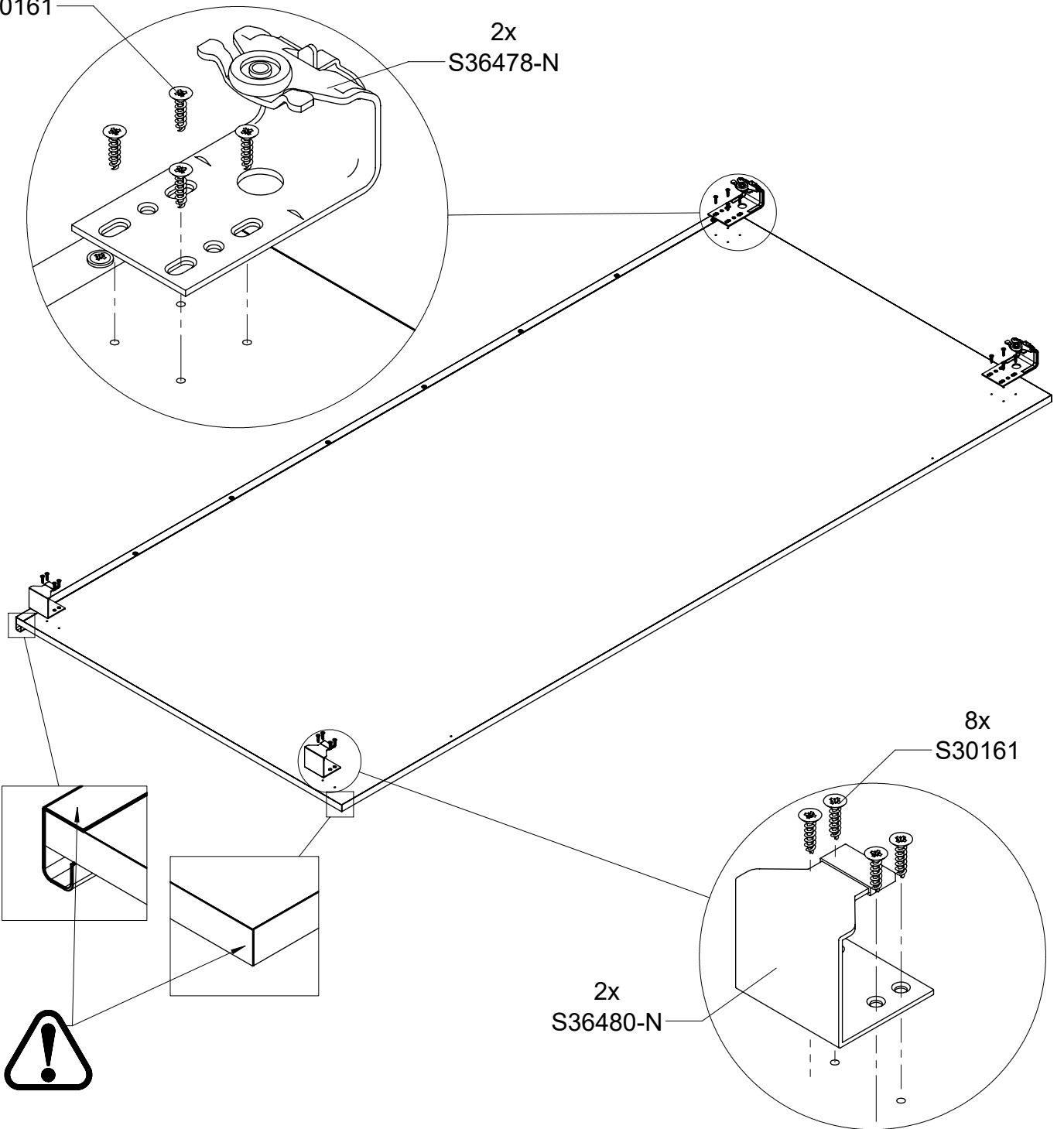


# 31 x1



8x  
S30161

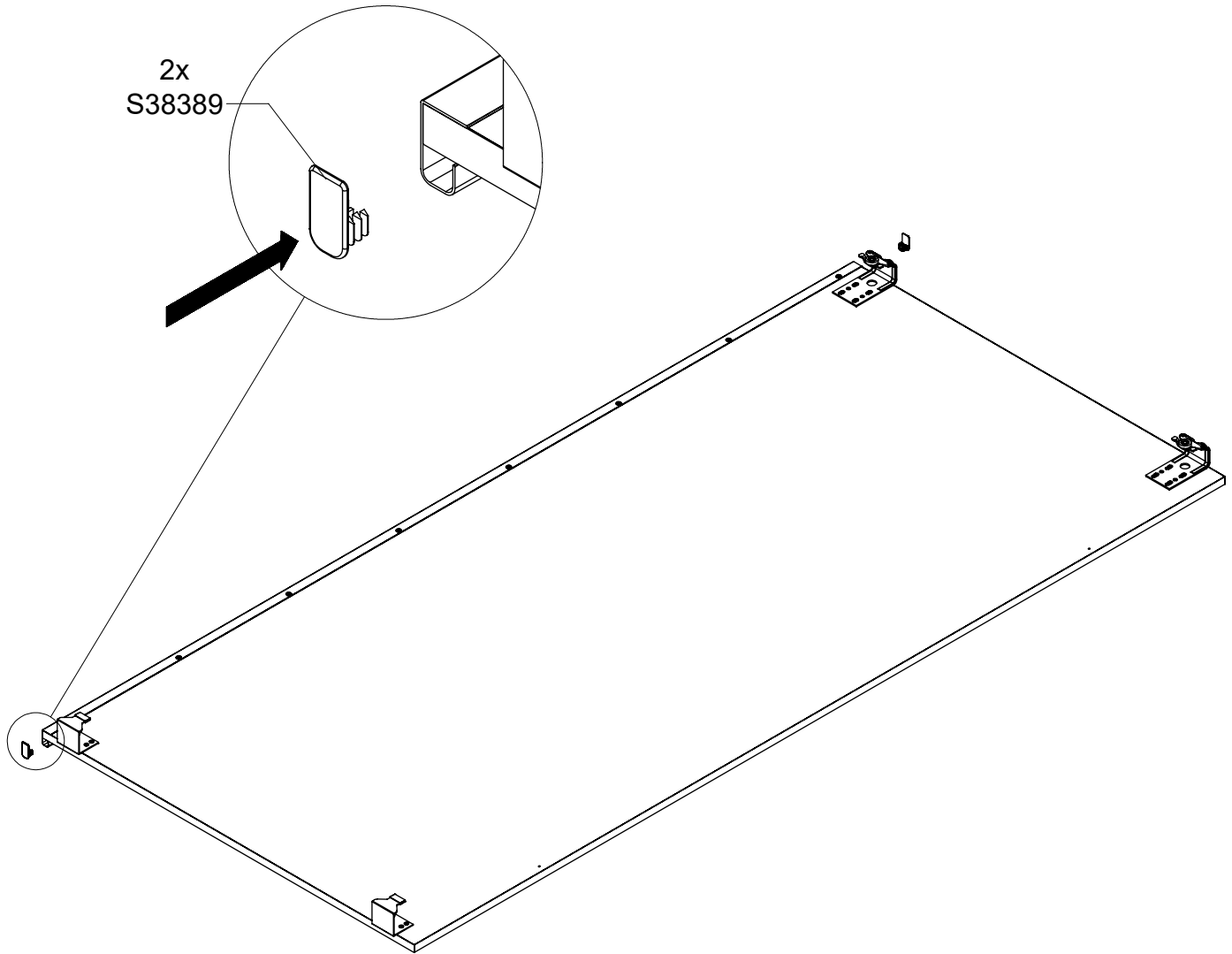
2x  
S36478-N



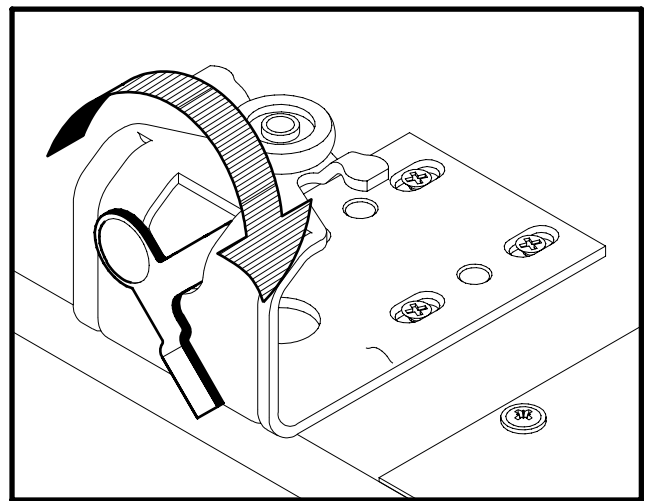
8x  
S30161

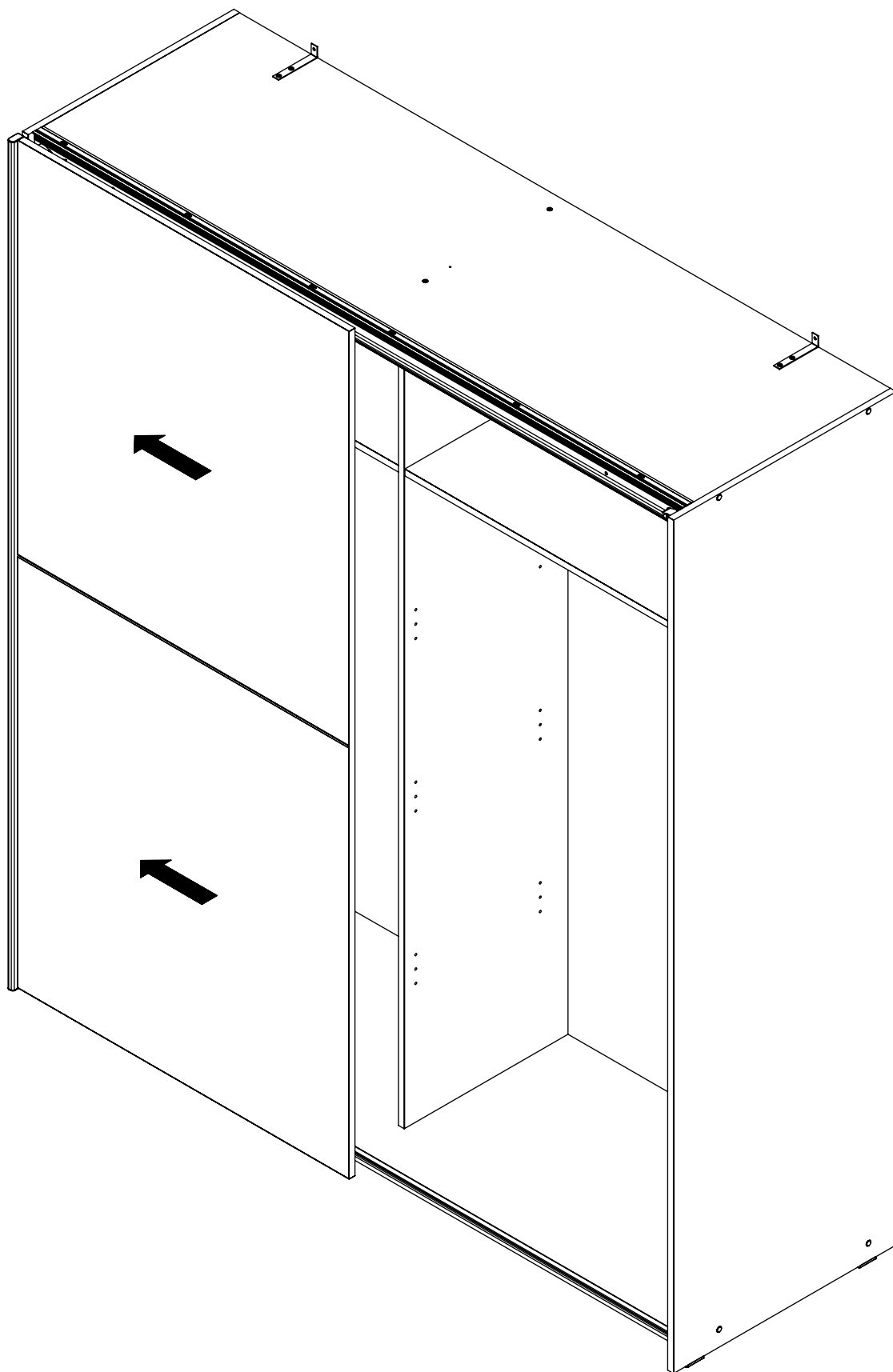
2x  
S36480-N

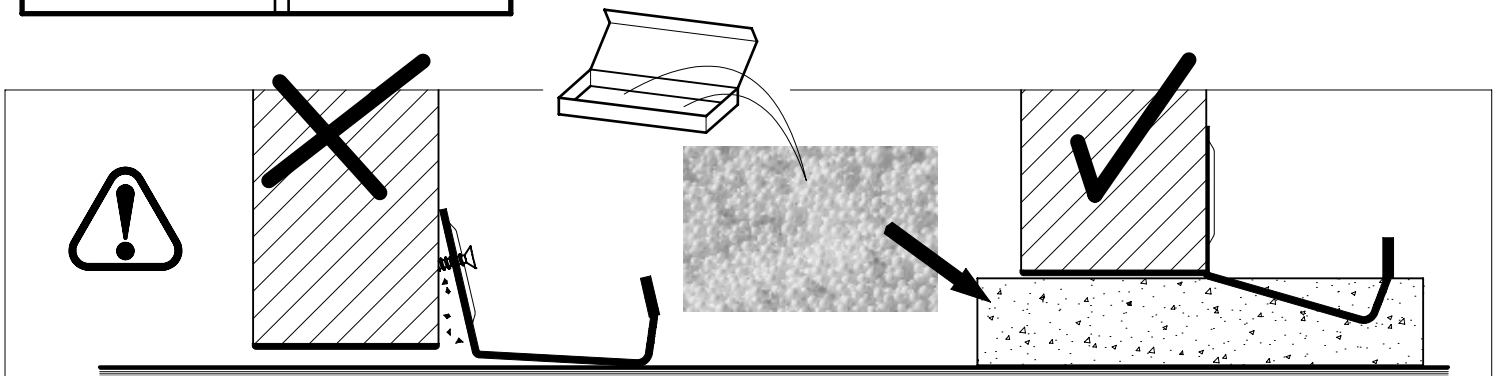
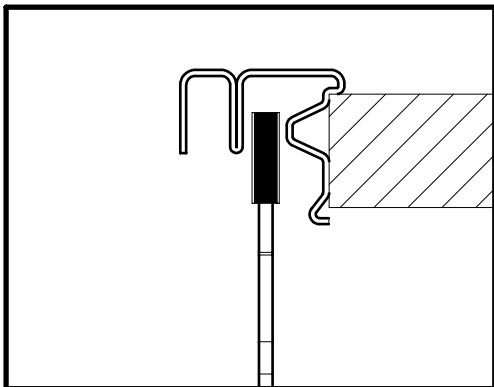
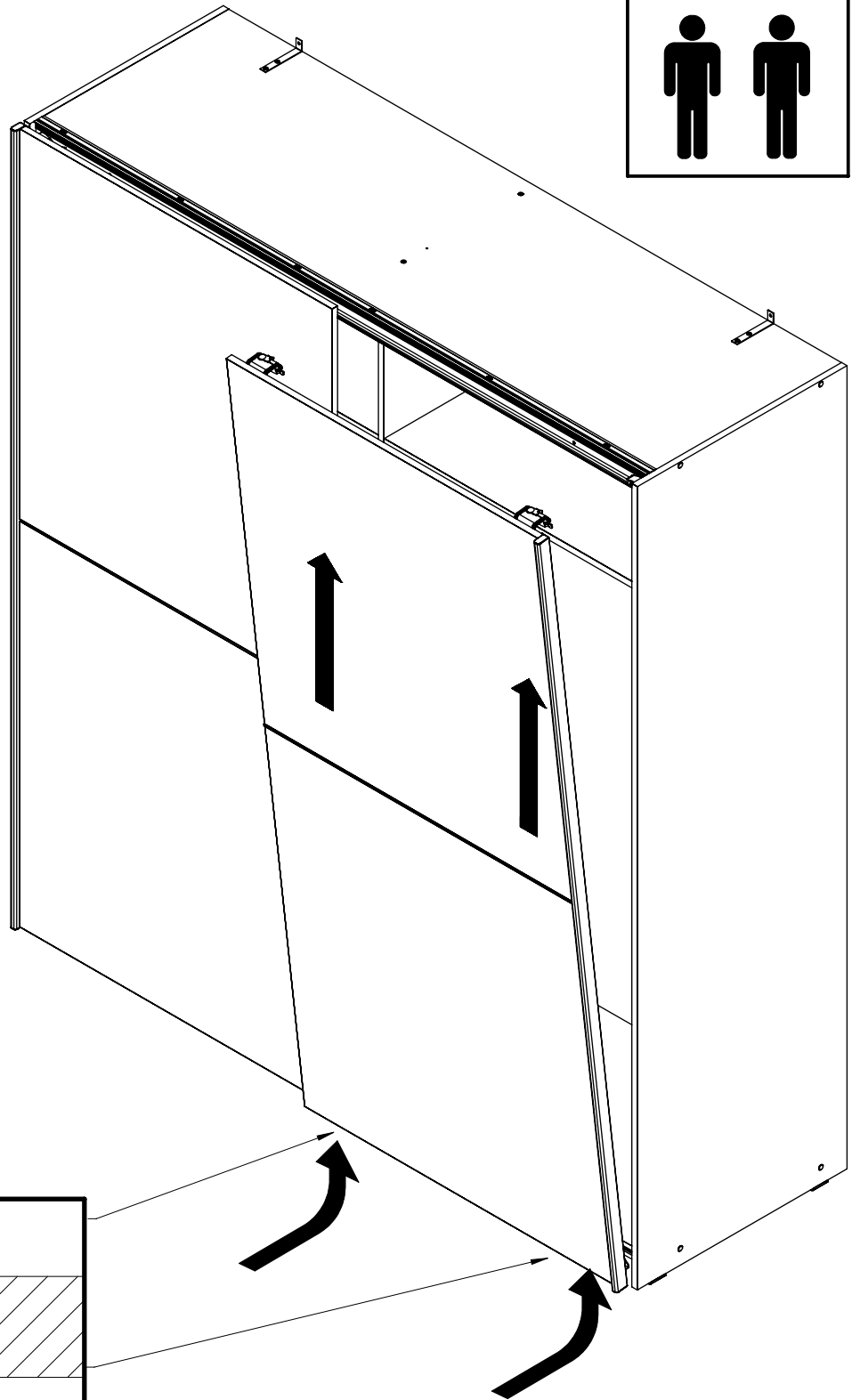
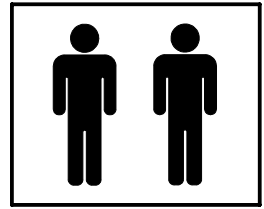
# 32x1



2x

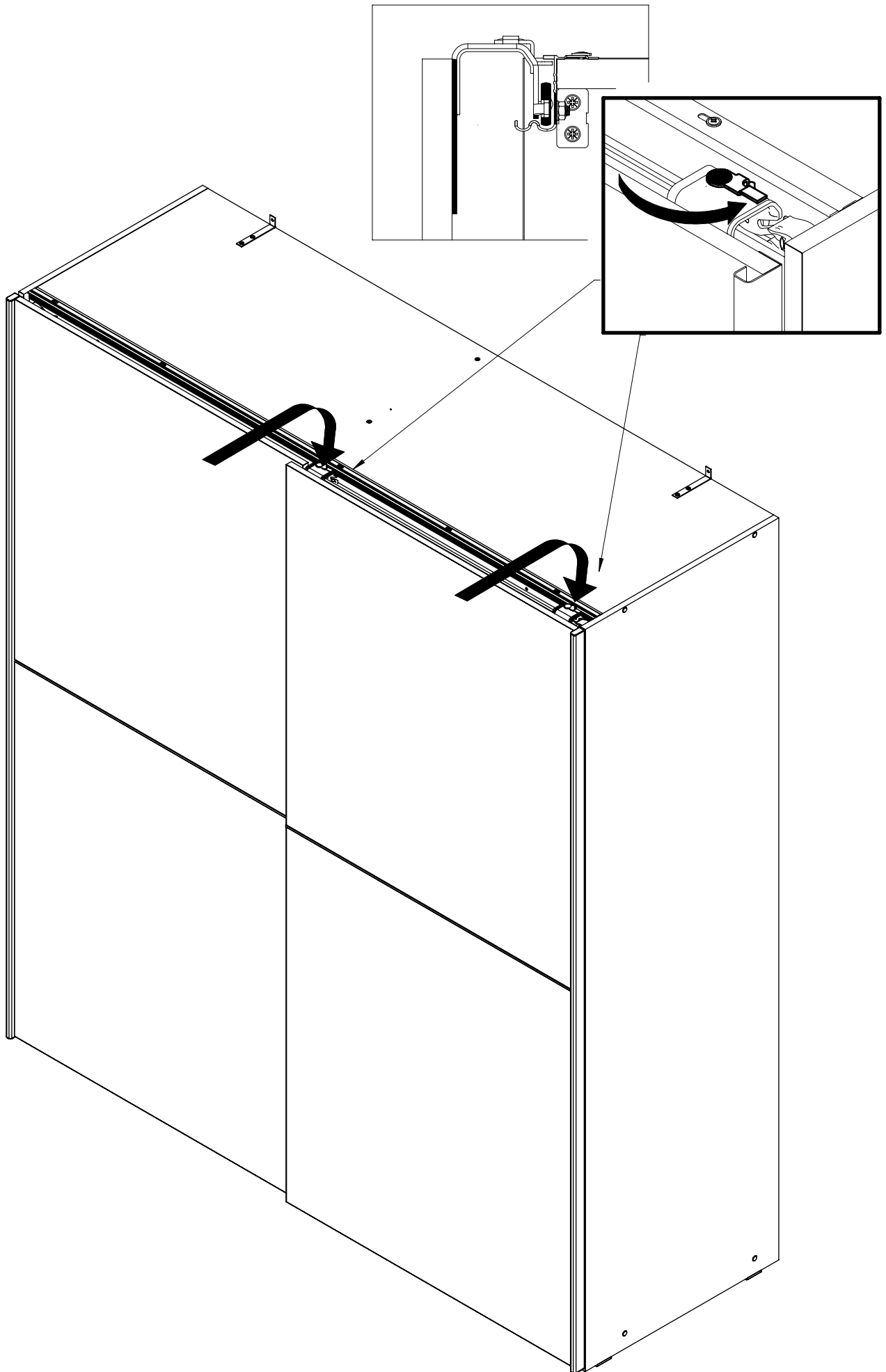


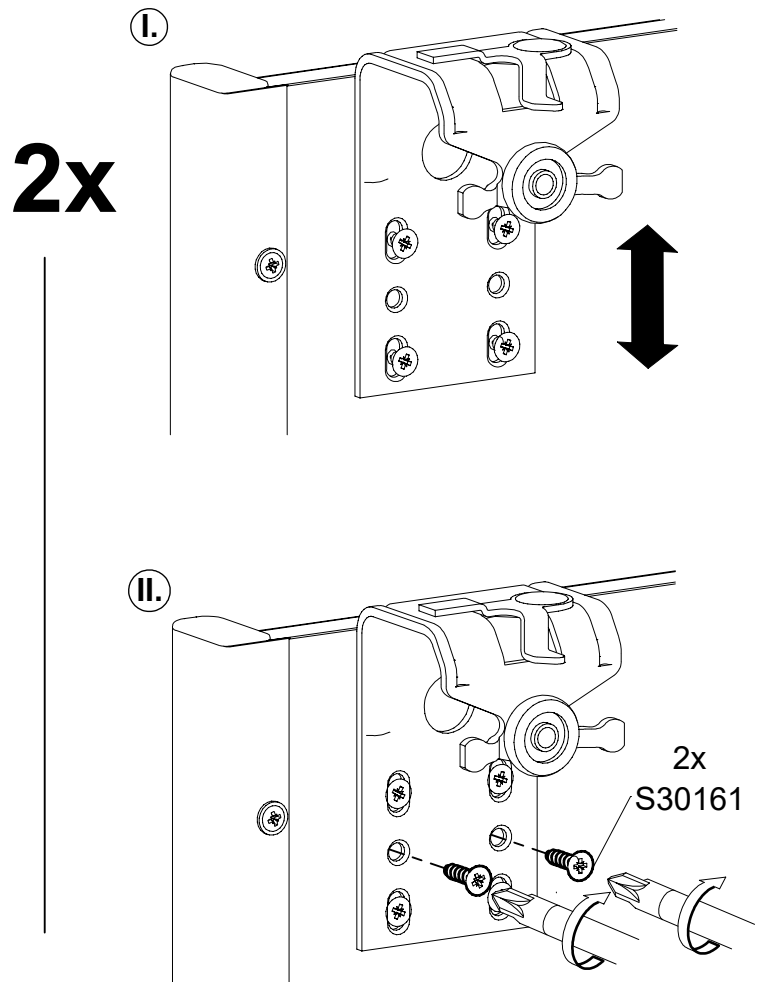
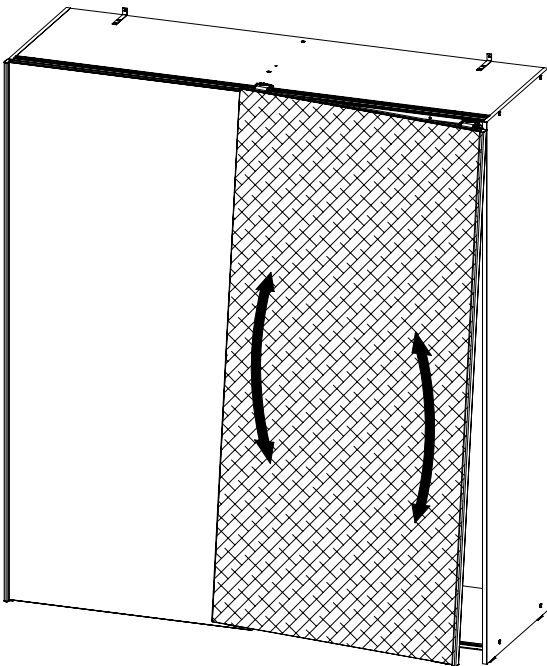
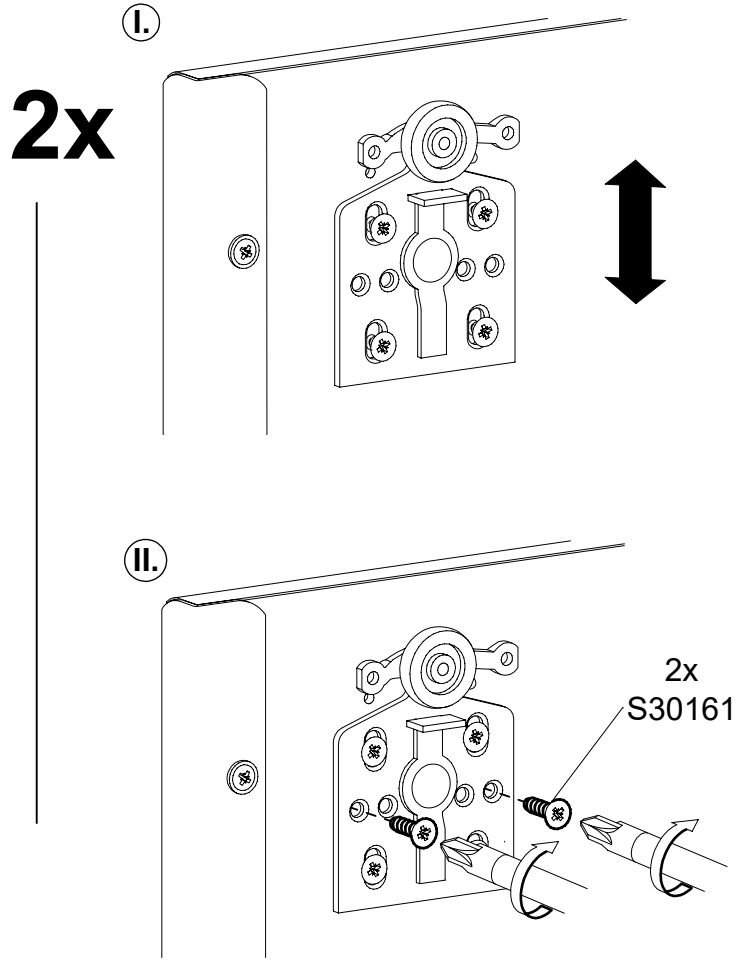
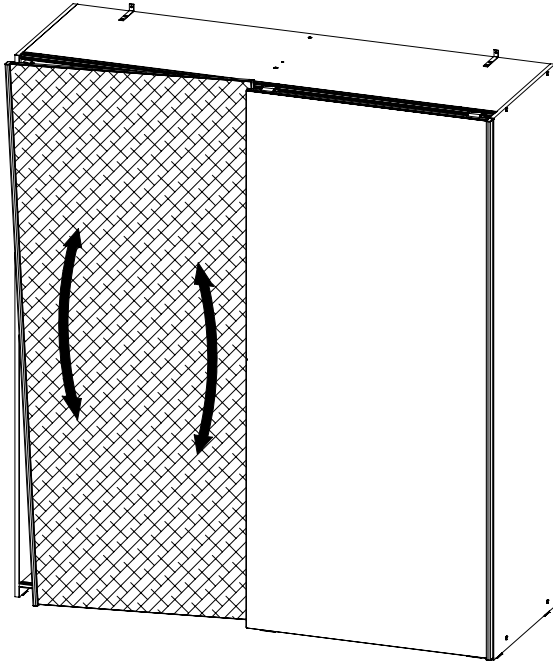


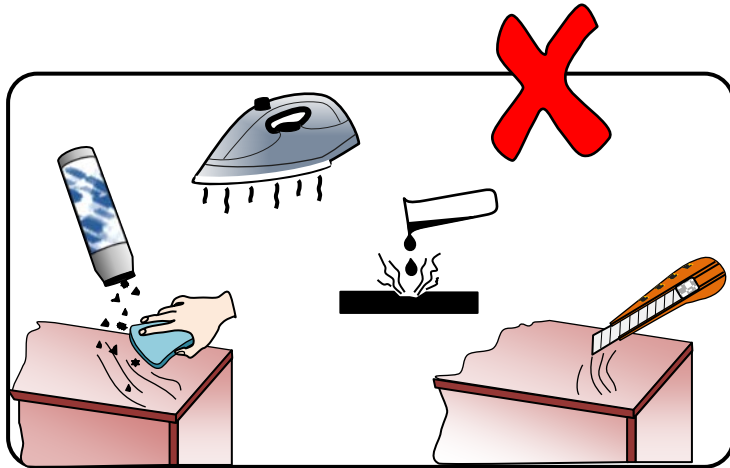




# 36







**- EN- GUIDELINES FOR FURNITURE CARE**

Please follow the below specified remarks in order to properly take care of your furniture:

A clean dry soft fabric must be used for cleaning. If the furniture requires thorough cleaning, then you can slightly moistened it with water or cleaning agent designed for furniture cleaning, and subsequently the cleaned elements must be wiped until they're dry. Metal and glass parts must be cleaned using commercially available cleaning agents designed for cleaning of this type of materials, in accordance with the included instructions.

Do not use corrosive agents, scouring agents and other agents if their intended use is unknown.

**The cleaning agents must have clear marking that they are intended for cleaning furniture.**

**WARNING!!!** High gloss elements, from which the protective foil was removed, may be cleaned and used only after 72 hours.