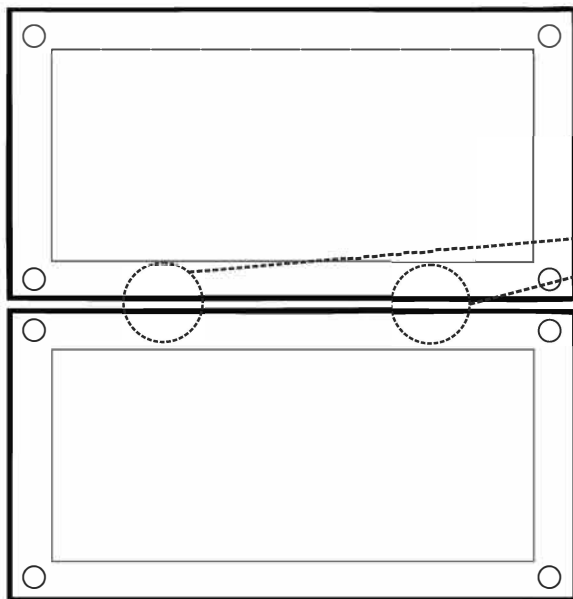
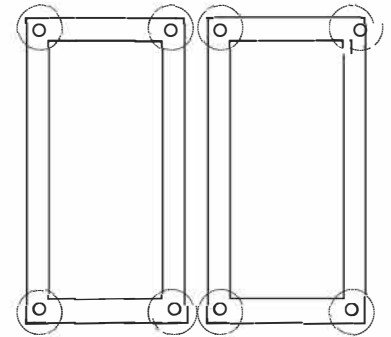
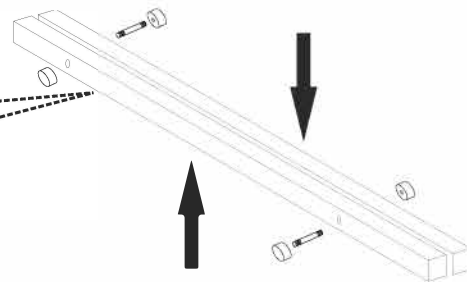


Mount the feet according to the marked locations.



Connect the metal rods inside the cot with studs, then connect them with plastic parts and tighten.



Finally, assemble the bed frame and headboard with skids.

