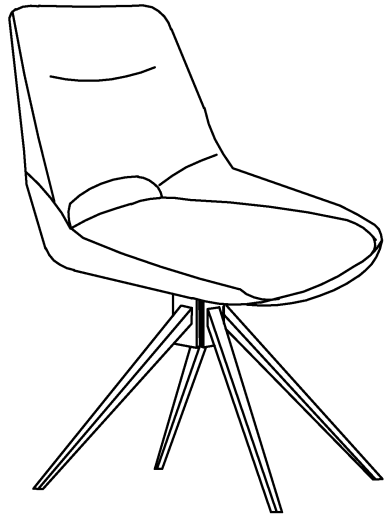
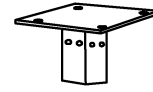


# ASSEMBLY INSTRUCTION

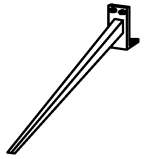
327-000032



①x1



②x4



③x1



④x1



Ax12



m8

Bx12



m8\*16

Cx4



M6x13mm

Dx12



M6

Ex4



M6

Fx1



Gx2



m6\*20

Hx2



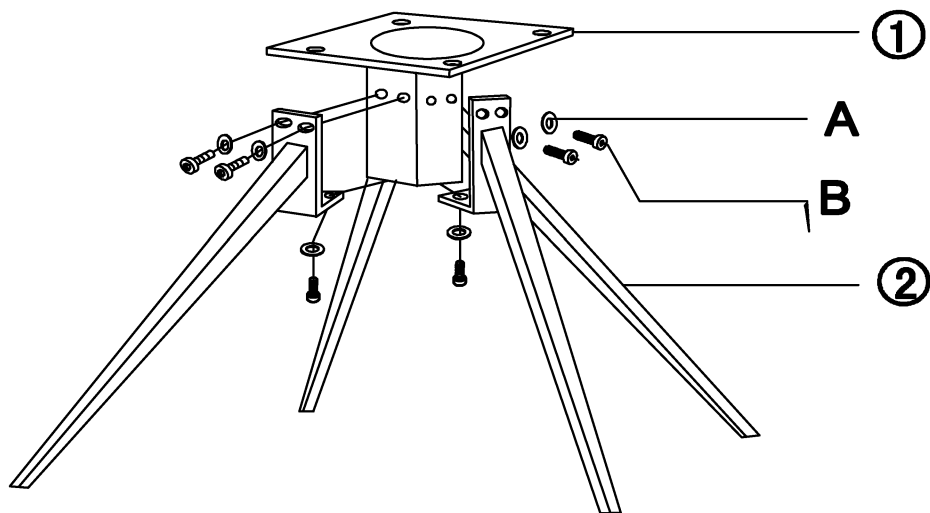
I x2



m6\*25



5#



# ASSEMBLY INSTRUCTION

