

ASSEMBLY INSTRUCTION

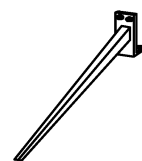
327-000035



①x1



②x4



③x1



④x1



Ax12



m8

Bx12



m8*16

Cx4



M6x13mm

Dx12



M6

E x4



M6

F x1



G x2



m6*20

Hx2



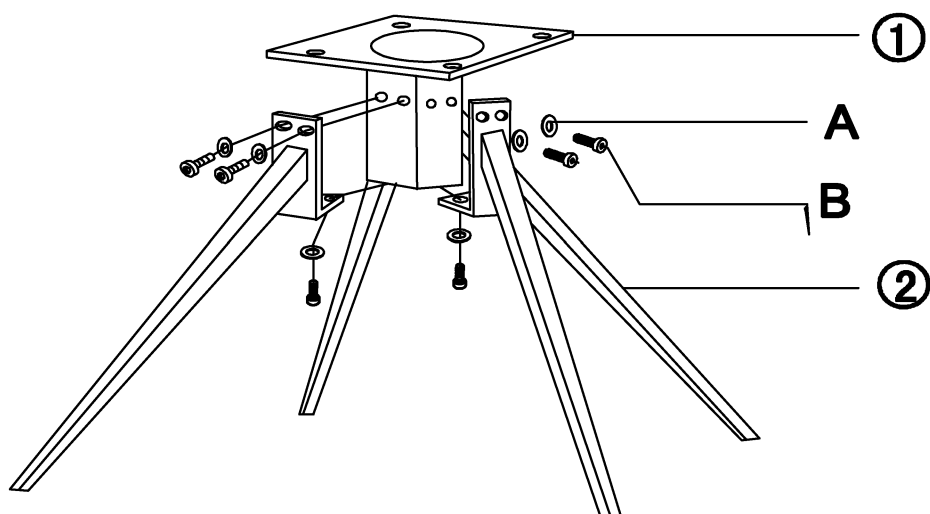
I x2



m6*25



5#



ASSEMBLY INSTRUCTION

