



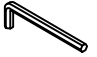
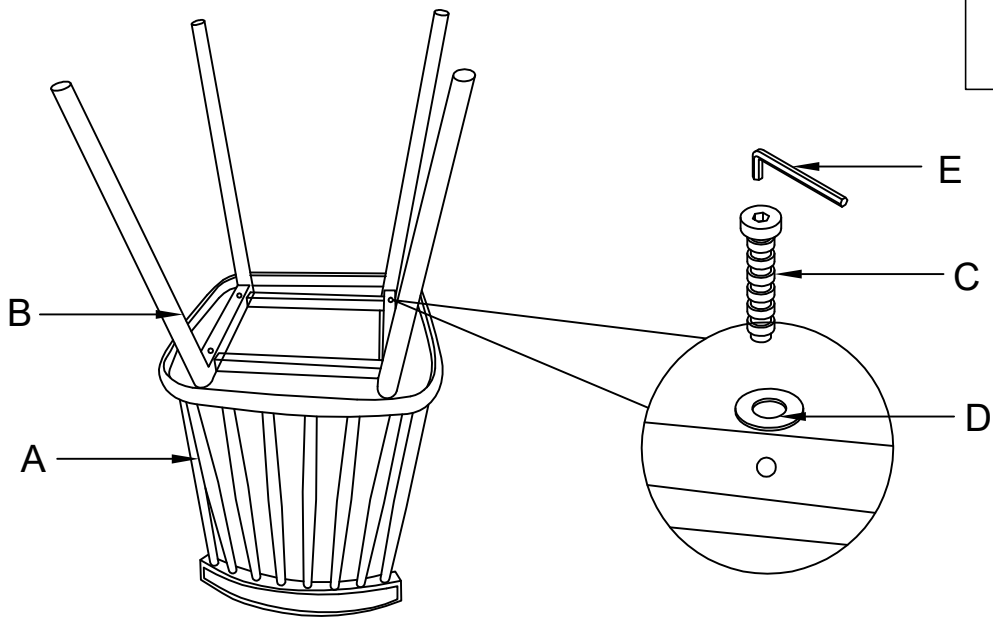



ASSEMBLING INSTRUCTION

| A X1PC | B X1PC | C X4PCS | DX4PCS | E X1PC | |
|---|---|---|---|---|--|
|  |  |  |  |  | |

1





2

