



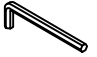
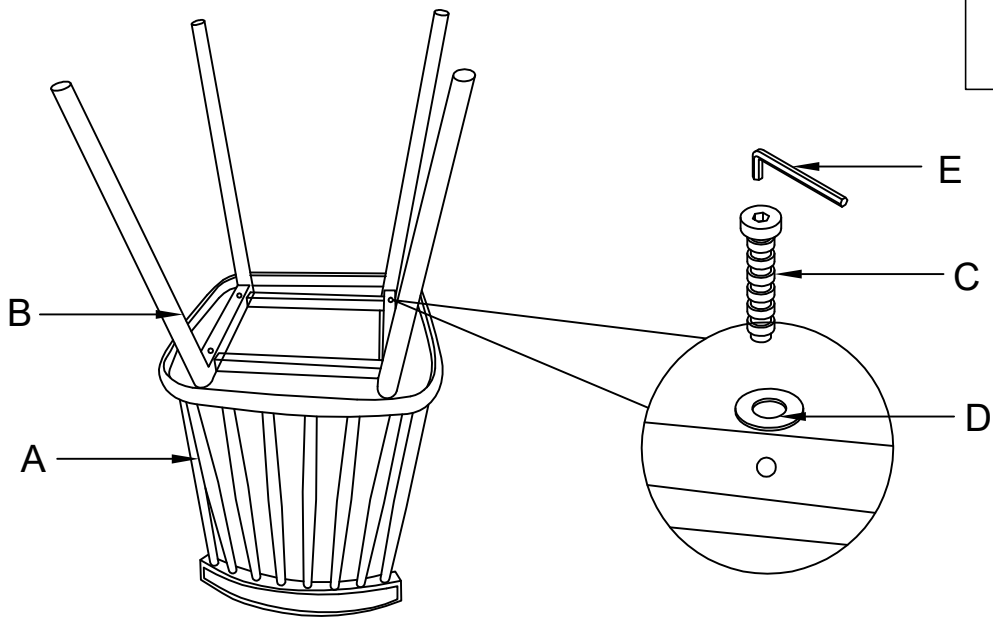



ASSEMBLING INSTRUCTION

A X1PC	B X1PC	C X4PCS	DX4PCS	E X1PC	
					

1





2

