

# ASSEMBLY INSTRUCTION

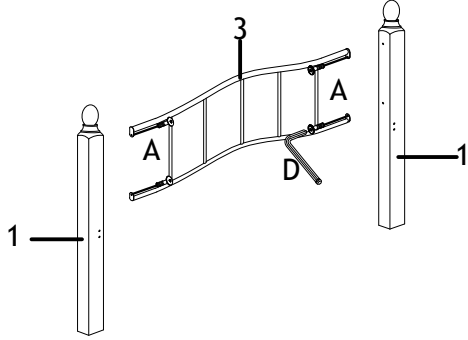
Before you begin, please follow Assembly Instruction carefully. Follow them step by step.

330-000007

## STEP 1

(A) M6 X 20MM JCBC SCREW - 4 PCS

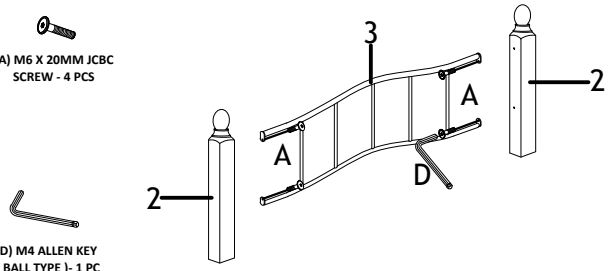
(D) M4 ALLEN KEY (BALL TYPE) - 1 PC



## STEP 2

(A) M6 X 20MM JCBC SCREW - 4 PCS

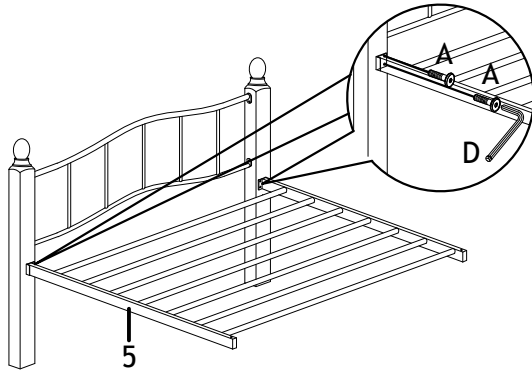
(D) M4 ALLEN KEY (BALL TYPE) - 1 PC



## STEP 3

(A) M6 X 20MM JCBC SCREW - 4 PCS

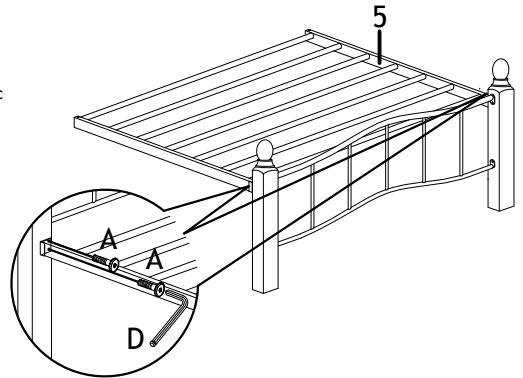
(D) M4 ALLEN KEY (BALL TYPE) - 1 PC



## STEP 4

(A) M6 X 20MM JCBC SCREW - 4 PCS

(D) M4 ALLEN KEY (BALL TYPE) - 1 PC



# ASSEMBLY INSTRUCTION

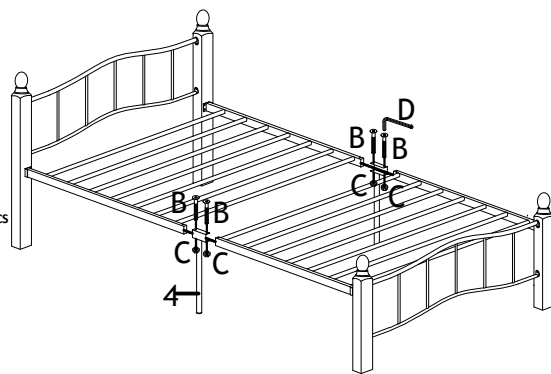
Before you begin, please follow Assembly Instruction carefully. Follow them step by step.

## STEP 5

(B) M6 X 50MM JCBC SCREW - 4 PCS

(C) M6 HEX NUTS - 4 PCS

(D) M4 ALLEN KEY (BALL TYPE) - 1 PC



## PART LIST

|                            |  |                                |  |
|----------------------------|--|--------------------------------|--|
| 1) HEAD POST X 2 PCS       |  | 3) HEADBOARD/FOOTBOARD X 2 PCS |  |
| 2) FOOT POST X 2 PCS       |  | 4) SIDE SUPPORT LEGS X 2 PCS   |  |
| 5) METAL BED BASE X 2 SETS |  |                                |  |
|                            |  |                                |  |

## HARDWARE LIST

|                                   |                                     |
|-----------------------------------|-------------------------------------|
|                                   |                                     |
| (A) M6 X 20MM JCBC SCREW - 16 PCS | (C) M6 HEX NUTS X 4 PCS             |
|                                   |                                     |
| (B) M6 X 50MM JCBC SCREW - 4 PCS  | (D) M4 ALLEN KEY (BALL TYPE) X 1 PC |

