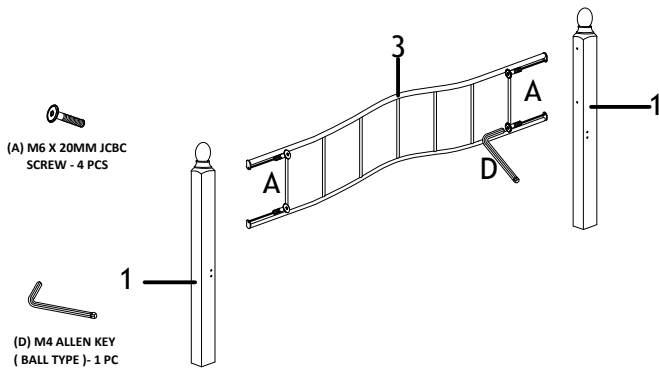


ASSEMBLY INSTRUCTION

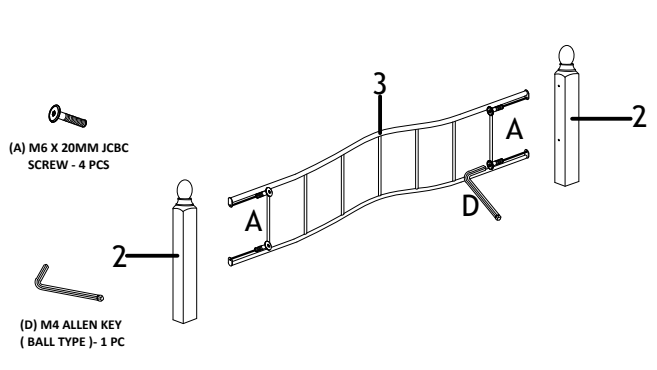
330-000009

Before you begin, please follow Assembly Instruction carefully. Follow them step by step.

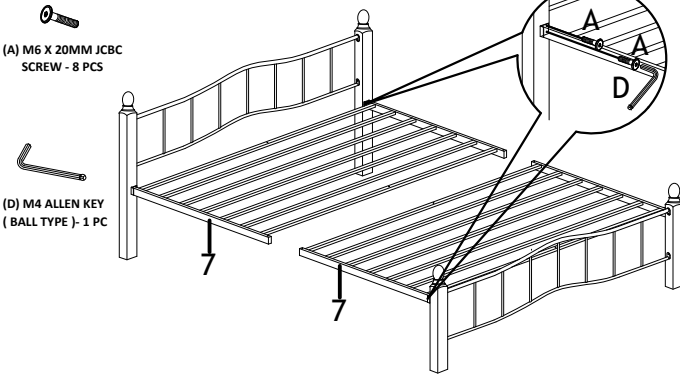
STEP 1



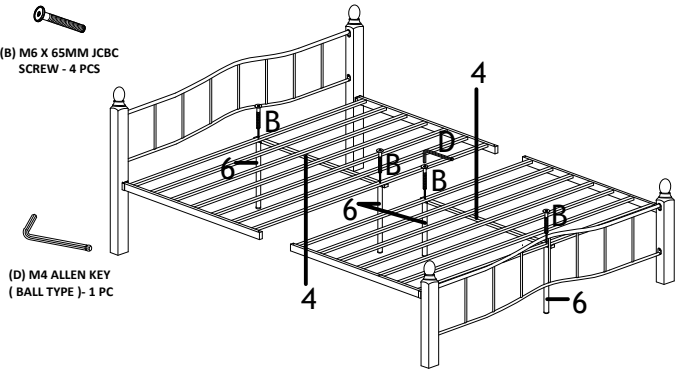
STEP 2



STEP 3



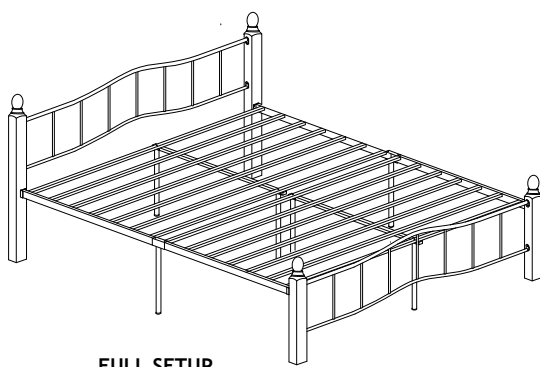
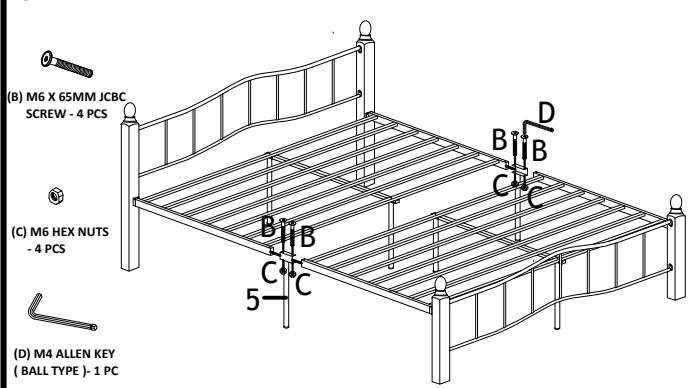
STEP 4



ASSEMBLY INSTRUCTION

Before you begin, please follow Assembly Instruction carefully. Follow them step by step.

STEP 5



PART LIST

1) HEAD POST X 2 PCS	4) CENTER RAIL X 2 PCS	
2) FOOT POST X 2 PCS	5) SIDE LEGS X 2 PCS	6) CENTER LEGS X 4 PCS
3) HEADBOARD/FOOTBOARD X 2 PCS	7) METAL BED BASE X 2 SETS	

HARDWARE LIST

(A) M6 X 20MM JCBC SCREW - 16 PCS	(C) M6 HEX NUTS X 4 PCS
(B) M6 X 65MM JCBC SCREW - 8 PCS	(D) M4 ALLEN KEY (BALL TYPE) X 1 PC