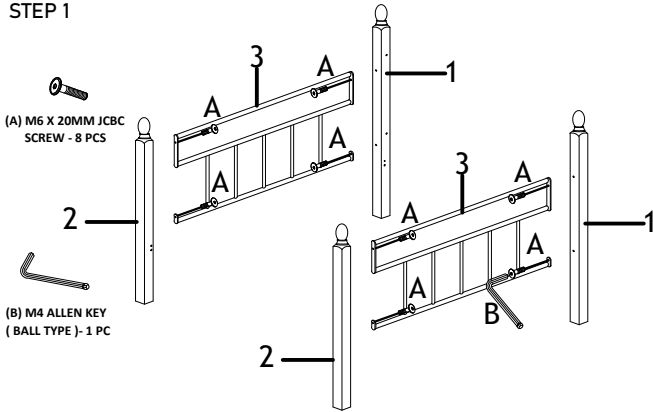


ASSEMBLY INSTRUCTION

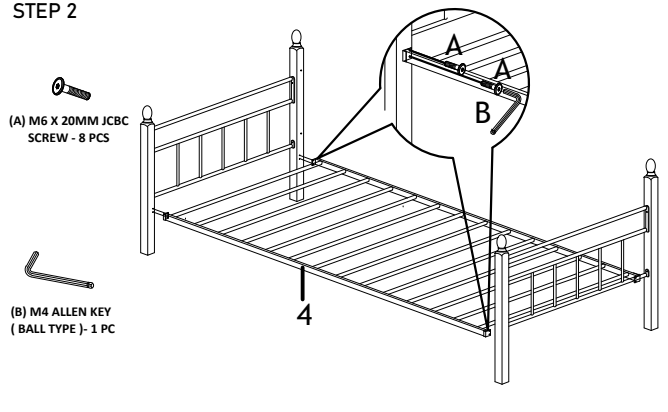
330-000012

Before you begin, please follow Assembly Instruction carefully. Follow them step by step.

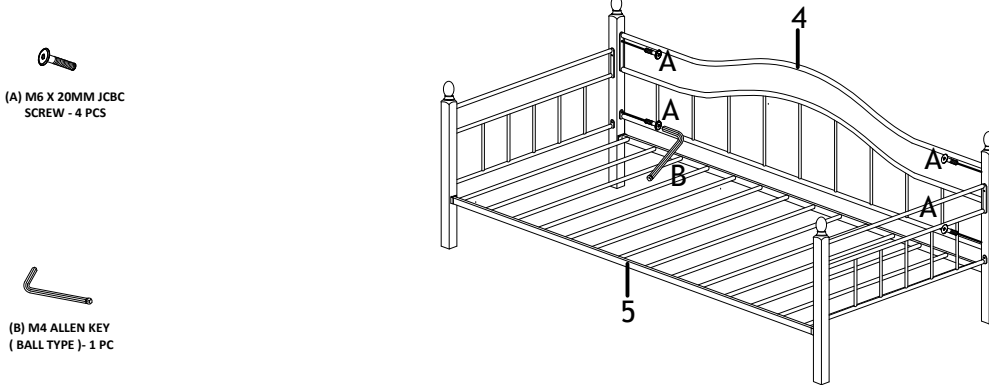
STEP 1



STEP 2

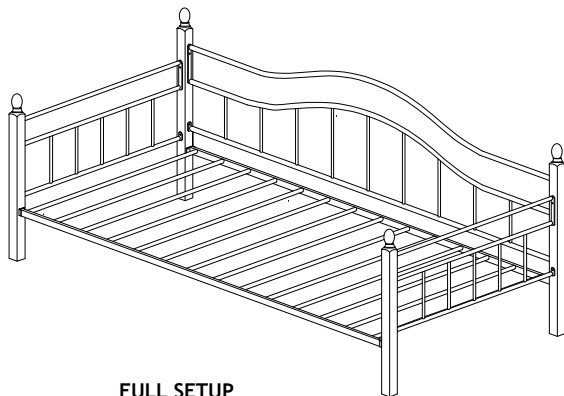


STEP 3


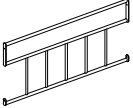

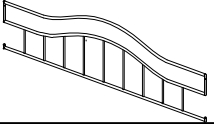
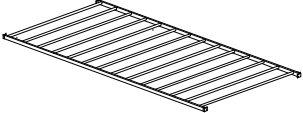


ASSEMBLY INSTRUCTION



Before you begin, please follow Assembly Instruction carefully. Follow them step by step.



PART LIST

1) HEAD POST X 2 PCS 	3) SIDEBOARD X 2 PCS 
2) FOOT POST X 2 PCS 	4) HEADBOARD X 1 PC 
5) METAL BED BASE X 1 SET 	

HARDWARE LIST


(A) M6 X 20MM JCBC SCREW - 20 PCS

(B) M4 ALLEN KEY (BALL TYPE) X 1 PC