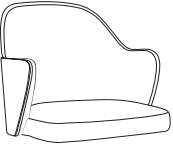

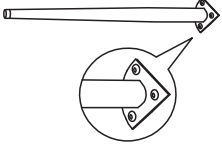
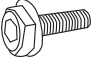


ASSEMBLE INSTRUCTION

332-000001

PARTS LIST	
A*1 	D*1 
B*2 Front Legs 	E*12 M6* 22MM 
C*2 Back Legs 