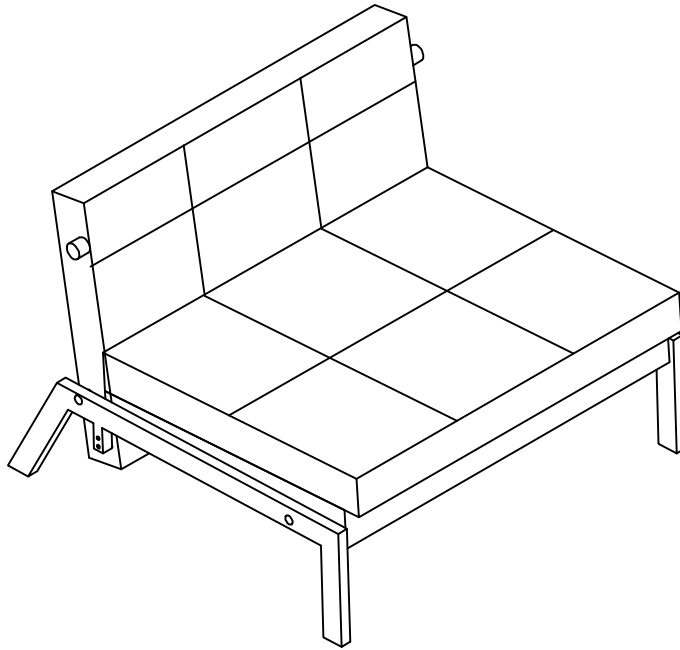
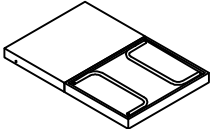
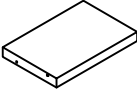
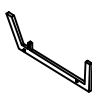











ASSEMBLY INSTRUCTION



| | | | | | | | |
|---|--|--|--|---|------|---|-----|
|  |  |  |  | | | | |
| A | 1PC | B | 1PC | C | 2PCS | D | 1PC |

| | | | | | | | | | | | |
|--|---|---|---|---|---|---|------------|---|---------|---|---------|
|  |  |  |  |  |  | | | | | | |
| 1 | 2PCS | 2 | M8*45 4PCS | 3 | M8 4PCS | 4 | M6*45 4PCS | 5 | M8 4PCS | 6 | M6 4PCS |

| | | | |
|---|---|---|-----|
|  |  | | |
| 7 | 2PCS | 8 | 1PC |

WARNING

•Please read the instruction manual carefully before using the furniture.

•Please assembly strictly in accordance with instruction.

•Only with a rag or slightly damp cloth to clean the surface of the furniture,do not use strong adrasive cleaners.

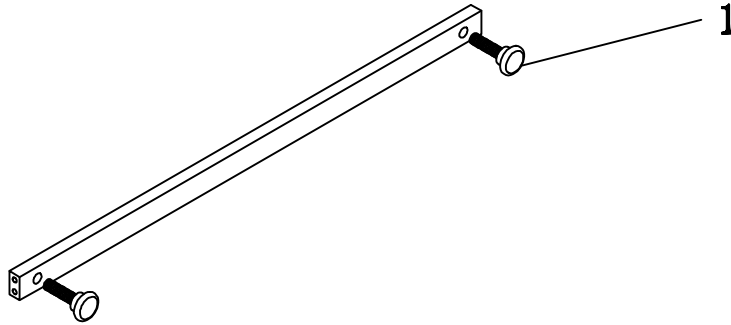
•Use mismatched hardware may cause damage to the product,make sure that all kinds of hardware accessories specifications prior to installation.

Please note: The fabric tends to get dirty during the packing process, if you receive the item a little flaws, you can wipe it clean with the wet wipes. If there have any problem, please do feel free to contact us.

1

1 2PCS

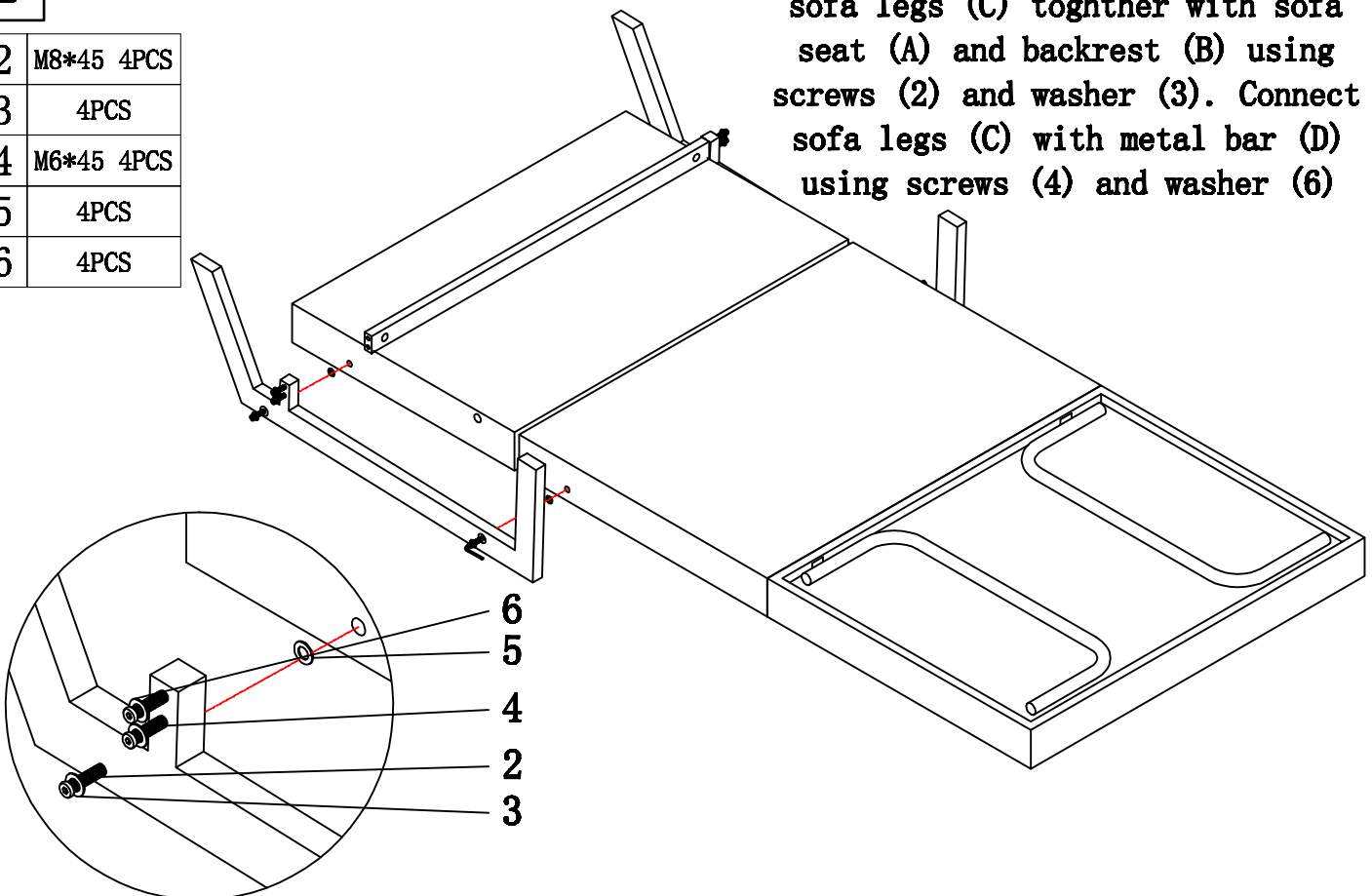
1. Screw adjustable legs (1) into the metal bar (D). Note: Loosen or tighten the legs can adjust backrest.



2

| | |
|---|------------|
| 2 | M8*45 4PCS |
| 3 | 4PCS |
| 4 | M6*45 4PCS |
| 5 | 4PCS |
| 6 | 4PCS |

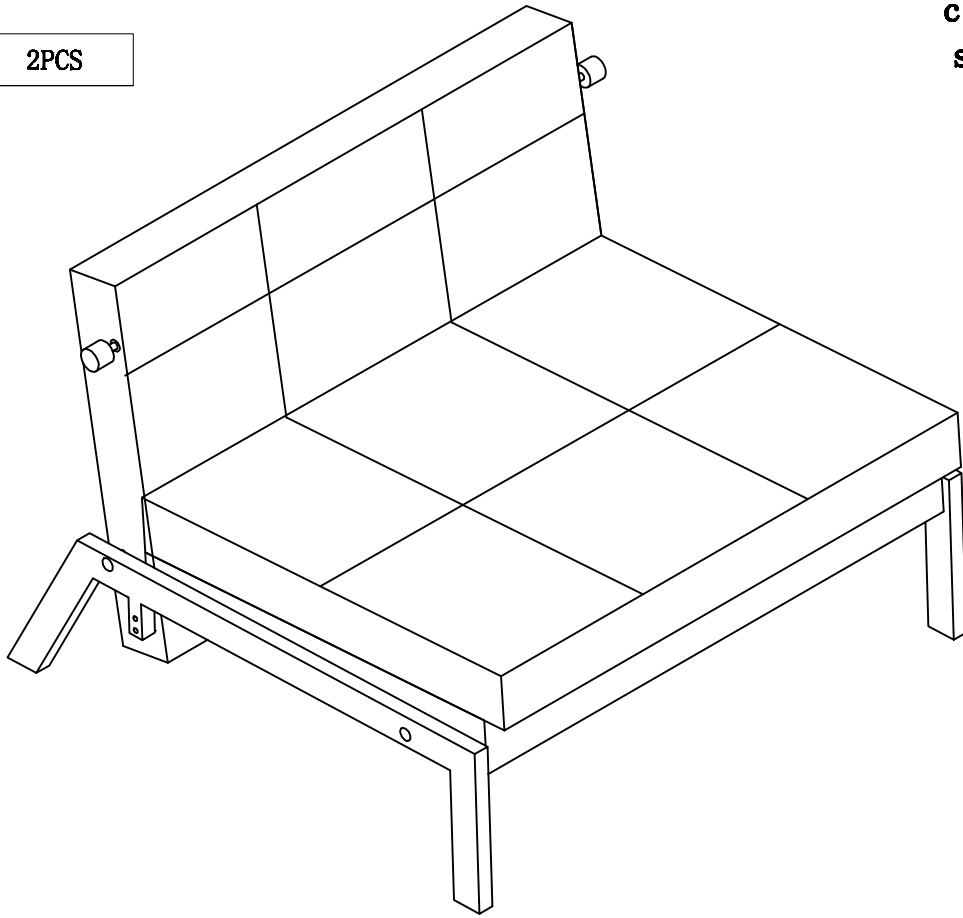
2. Put sofa seat (A) and backrest (B) together same as picture. connect sofa legs (C) together with sofa seat (A) and backrest (B) using screws (2) and washer (3). Connect sofa legs (C) with metal bar (D) using screws (4) and washer (6)



3

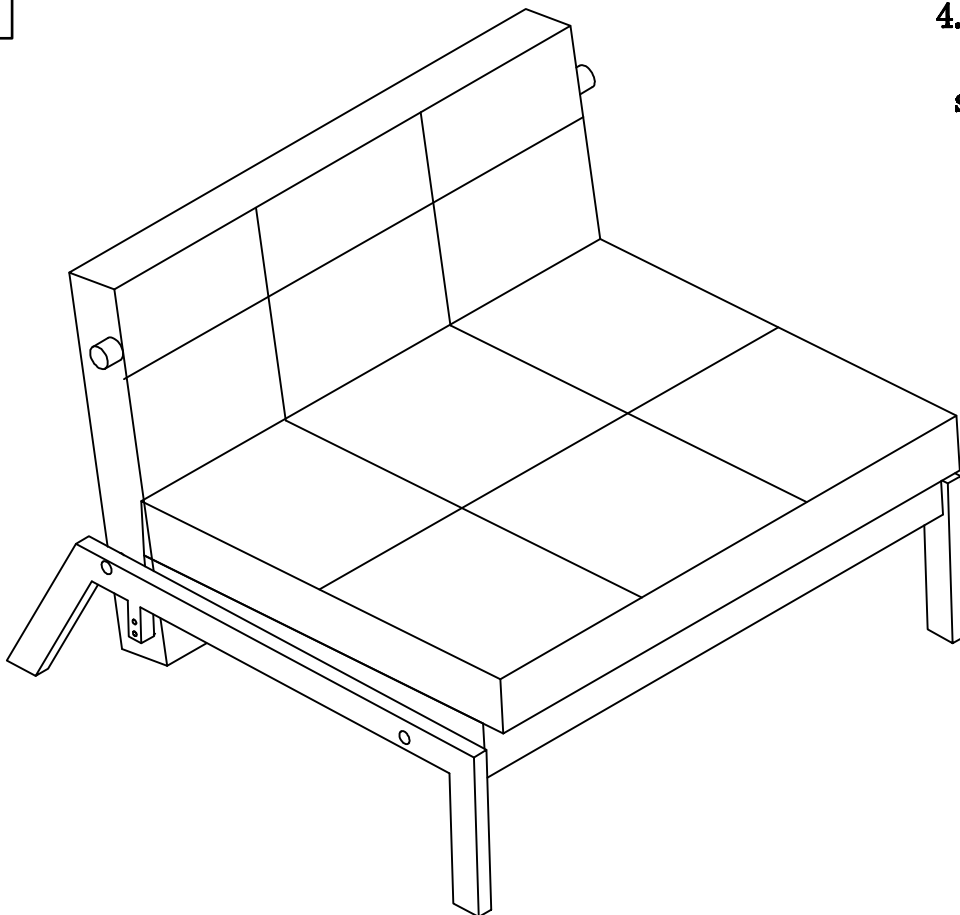
7

2PCS



3. Turn over the bed and close it as sofa. Then screw part (7) on the backrest (B)

4



4. When convert sofa into bed, please open the U shape hidden legs under the sofa seat (A)