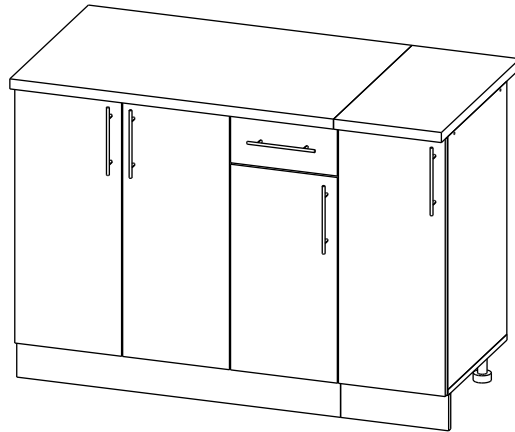
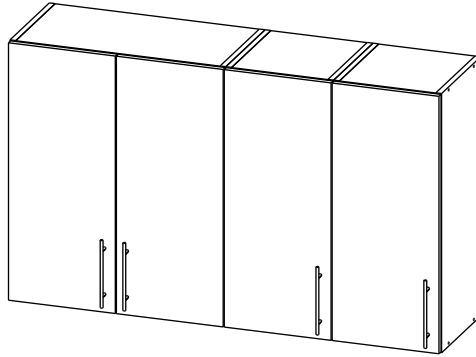
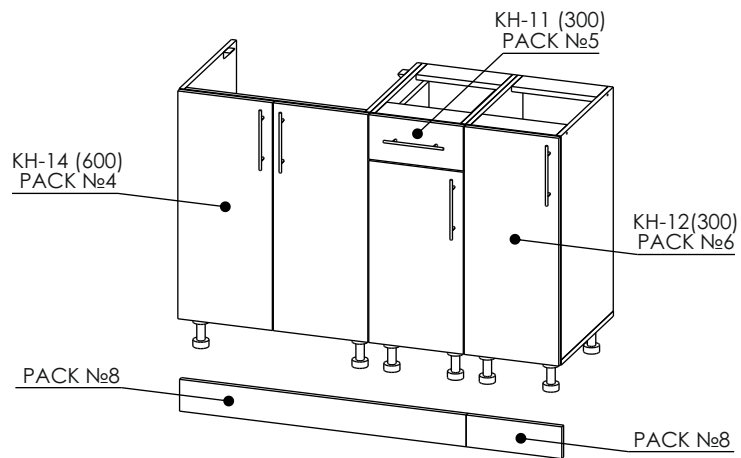
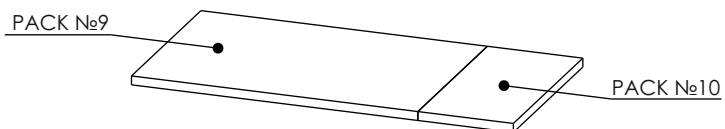
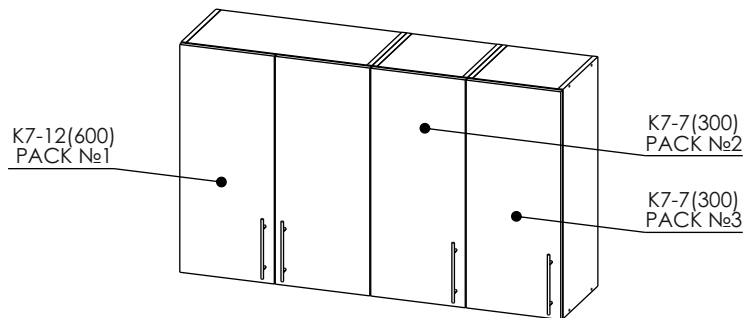
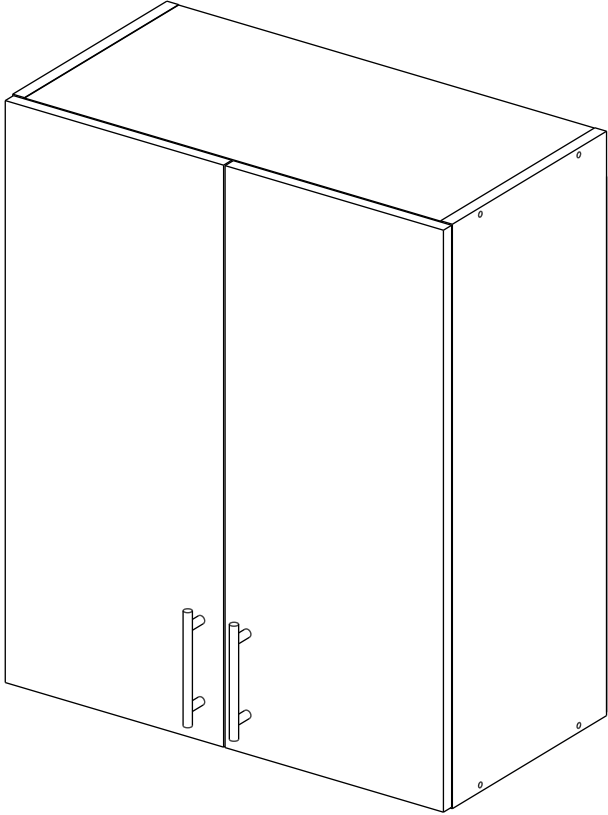


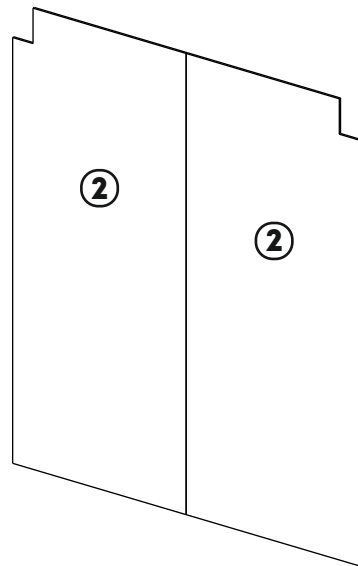
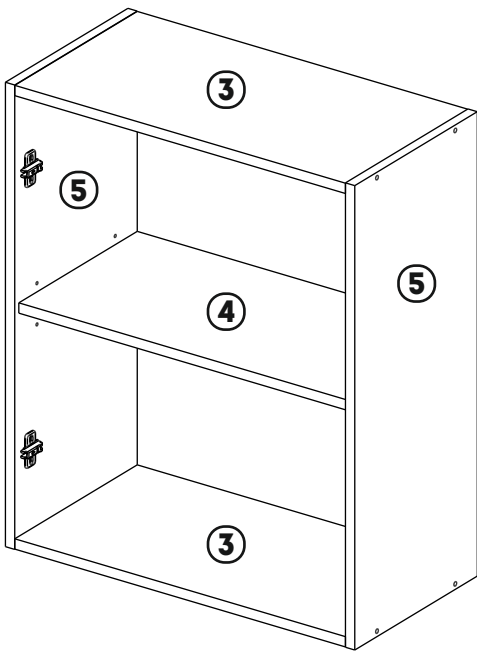
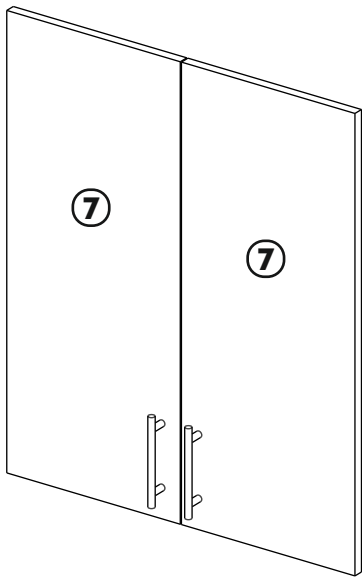
 **pakkeTO**



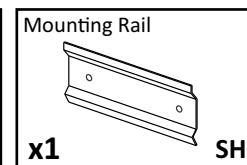
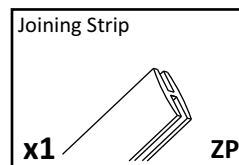
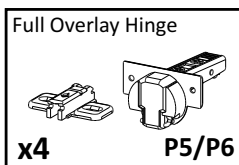
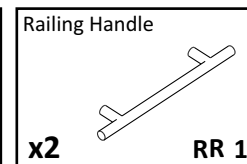
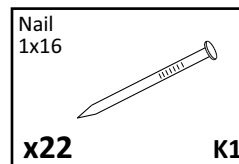
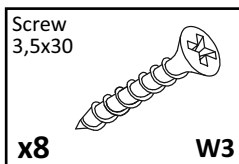
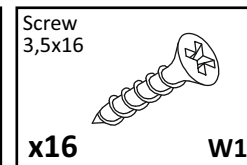
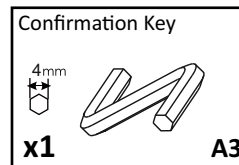
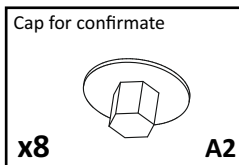
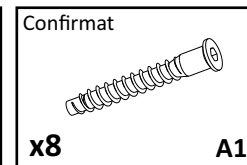
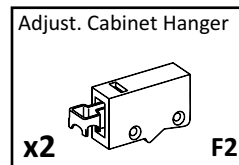
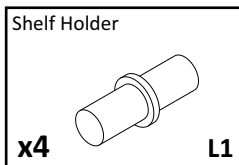


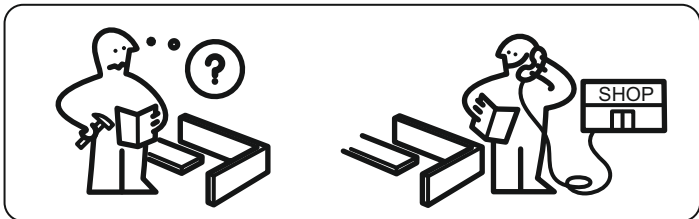
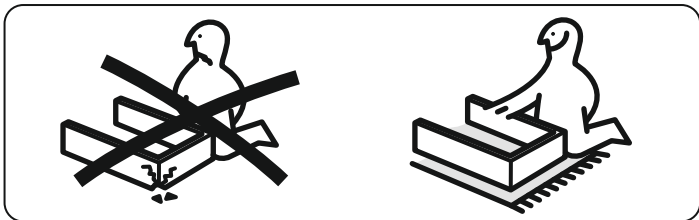
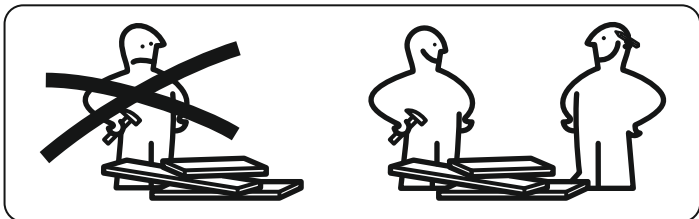
FESTA
1,2m





K7-12 (600)			
No	a*b	X	Pack
2	716x298	2	1/10
3	568x300	2	1/10
4	568x290	1	1/10
5	721x300	2	1/10
7	716x297	2	7/10





GENERAL TECHNICAL INSTRUCTIONS FOR FURNITURE ASSEMBLY

- CHECK COMPATIBILITY OF PARTS AND ACCESSORIES BEFORE ASSEMBLY.
- FOR FURNITURE ASSEMBLY, WE RECOMMEND USING THE SERVICES OF QUALIFIED SPECIALISTS.
- DO ASSEMBLY ON A SURFACE COVERED WITH CLOTH OR CARDBOARD TO PREVENT SCRATCHES.

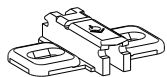
CARE AND MAINTENANCE OF FURNITURE

- KEEP THE FURNITURE FROM PROLONGED CONTACT WITH WATER OR HOT STEAM.
- ENSURE SUFFICIENT DISTANCE FROM ELECTRICAL APPLIANCES AND HEATERS.
- IF THERE IS DIRTY ON THE FURNITURE, REMOVE IT WITH A DAMP CLOTH AND THEN WIPE IT DRY. DO NOT USE ABRASIVE MATERIALS.

1

Mounting Plate

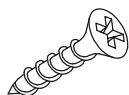
x4



P6

Screw
3,5x16

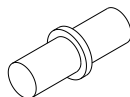
x8



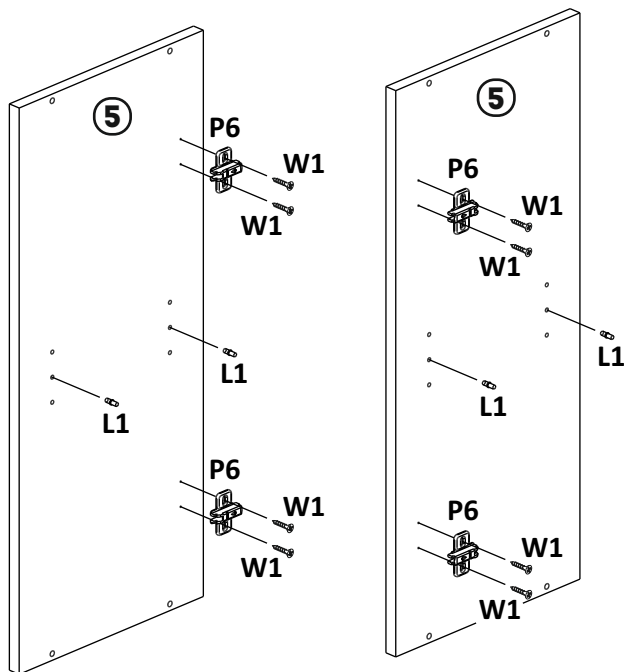
W1

Shelf Holder

x4

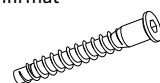


L1

**2**

Confirmat

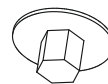
x8



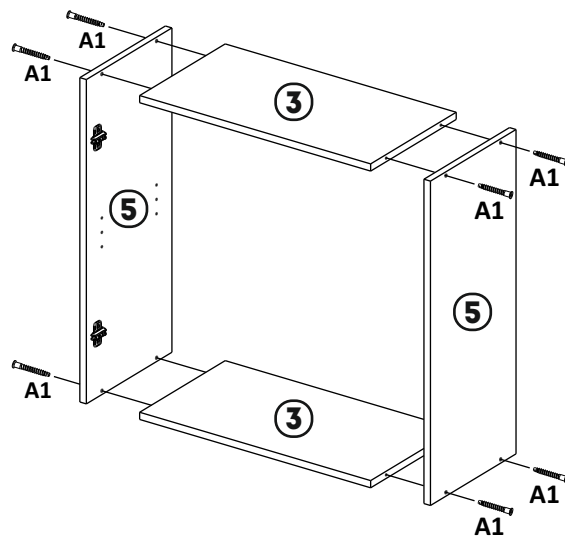
A1

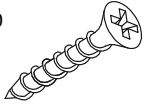
Cap for confirmate

x8

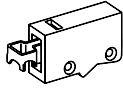
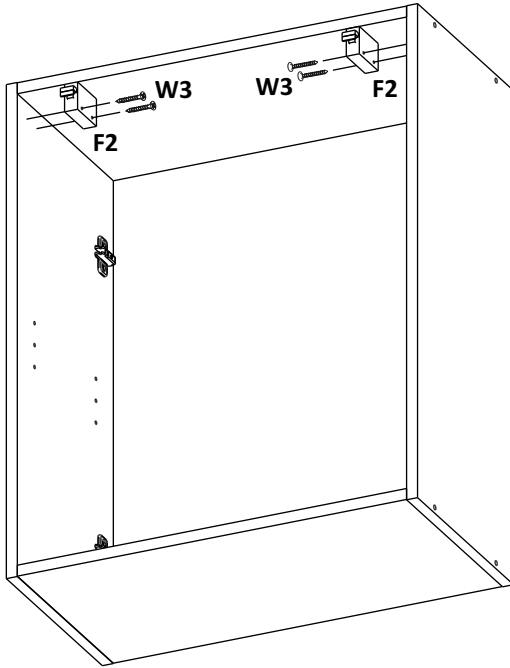
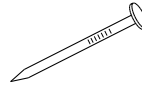


A2

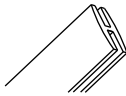
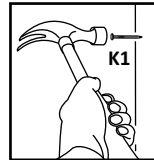
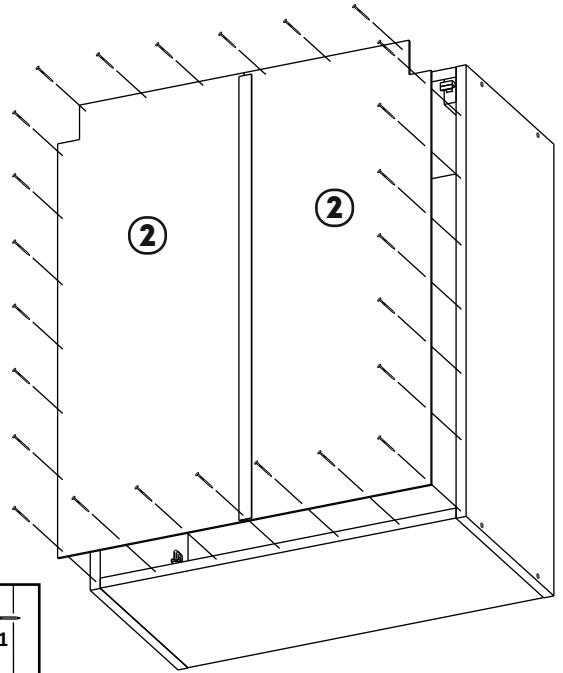


3Screw
3,5x30**x4****W3**

Adjust. Cabinet Hanger

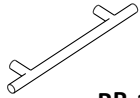
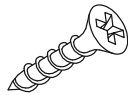
**x2****F2****4**Nail
1x16**x22****K1**

Joining Strip

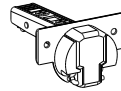
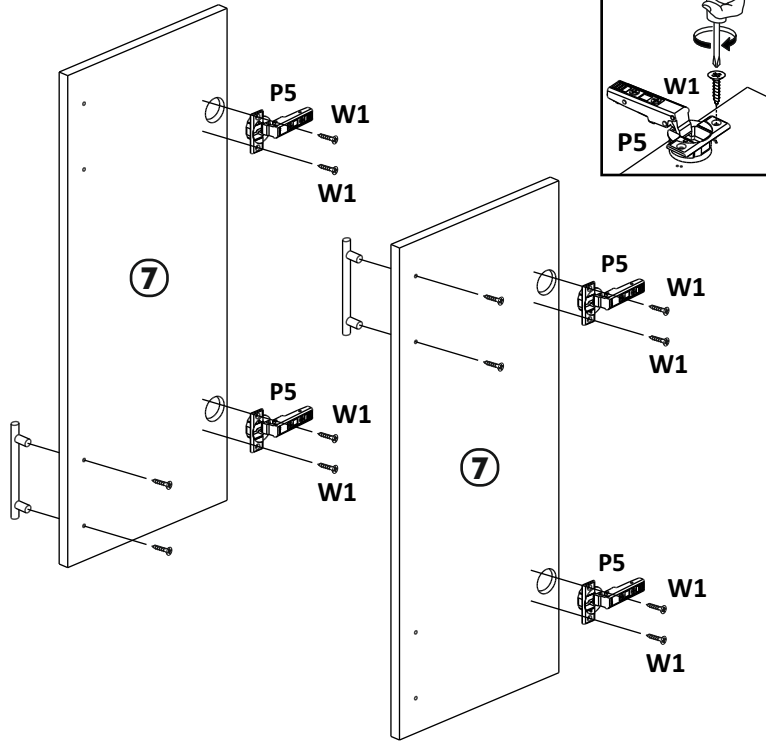
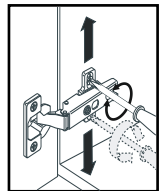
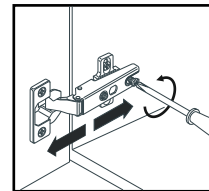
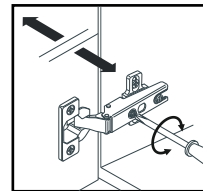
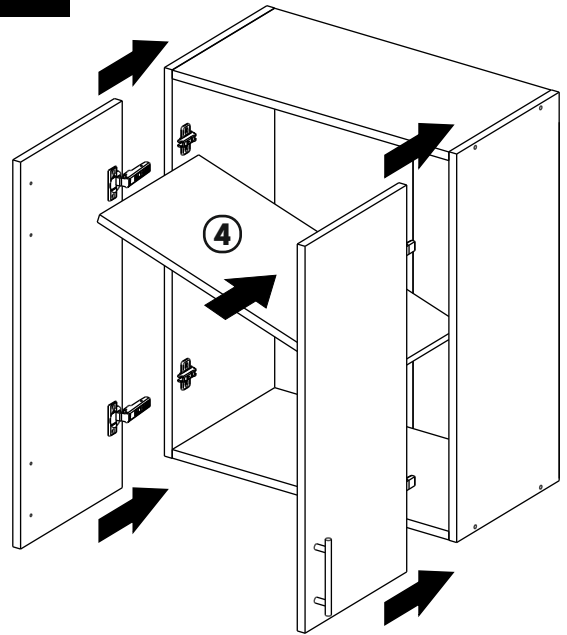
**x1****ZP**

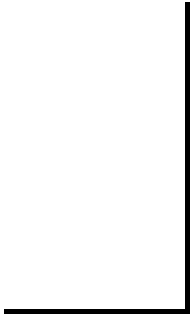
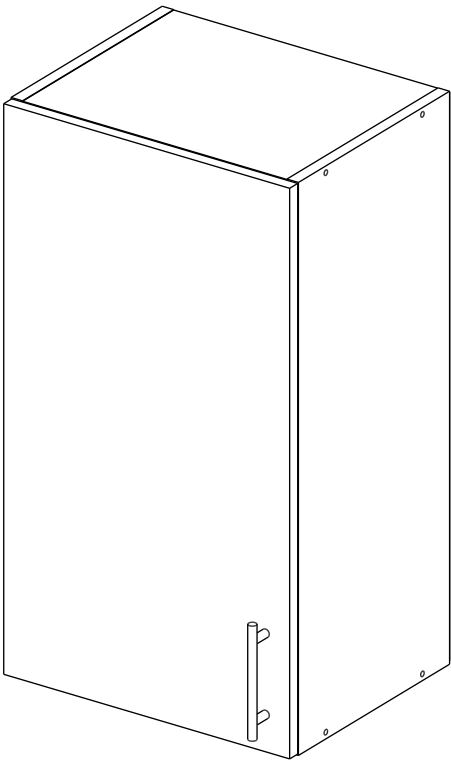
5

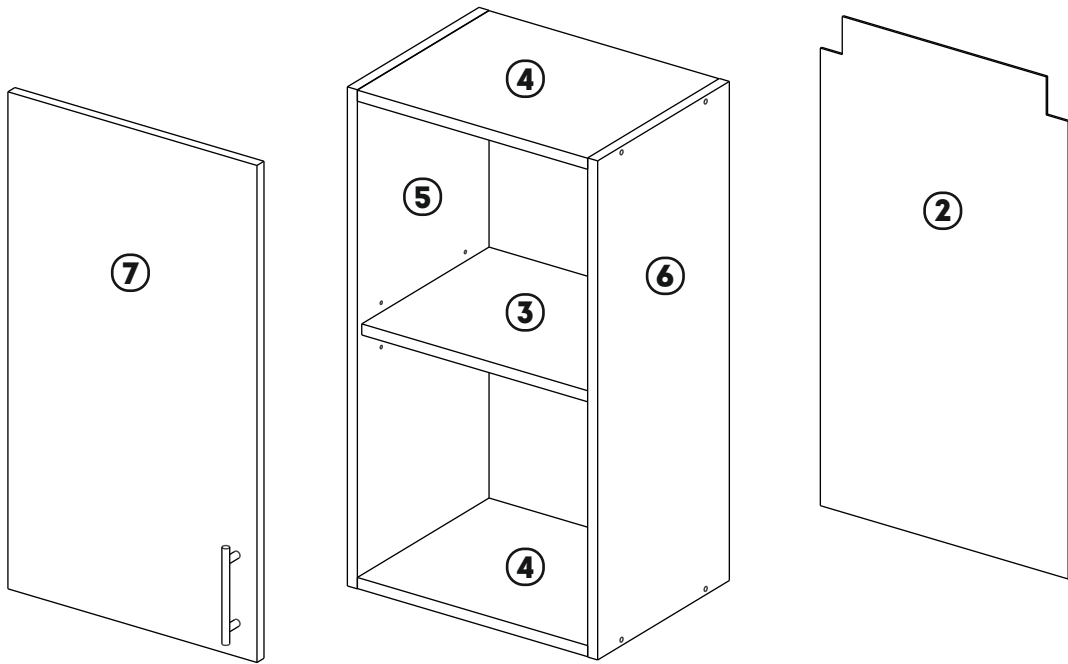
Railing Handle

**x2****RR 1**Screw
3,5x16**x8****W1**

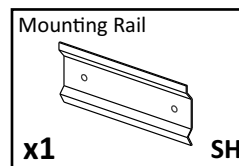
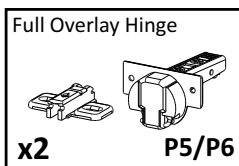
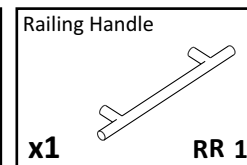
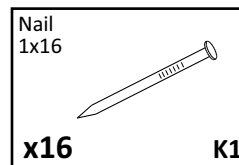
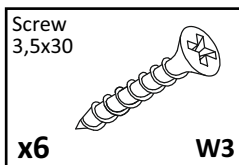
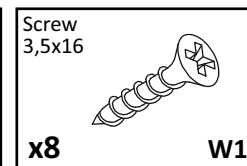
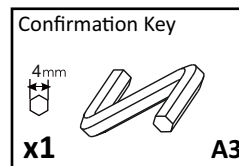
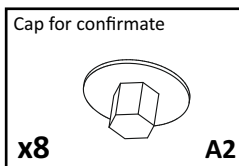
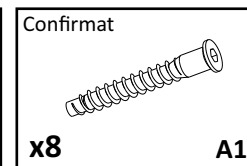
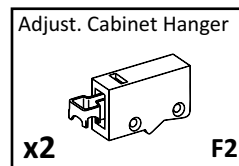
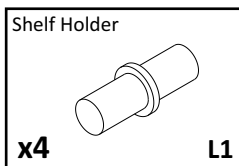
Full Overlay Hinge

**x4****P5****6**



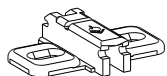


K7-7 (300)			
No	a*b	X	Pack
2	716x296	1	2/10
3	268x290	1	2/10
4	268x300	2	2/10
5	720x300	1	2/10
6	720x300	1	2/10
7	716x297	1	7/10



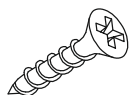
1

Mounting Plate



x2

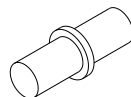
P6

Screw
3,5x16

x4

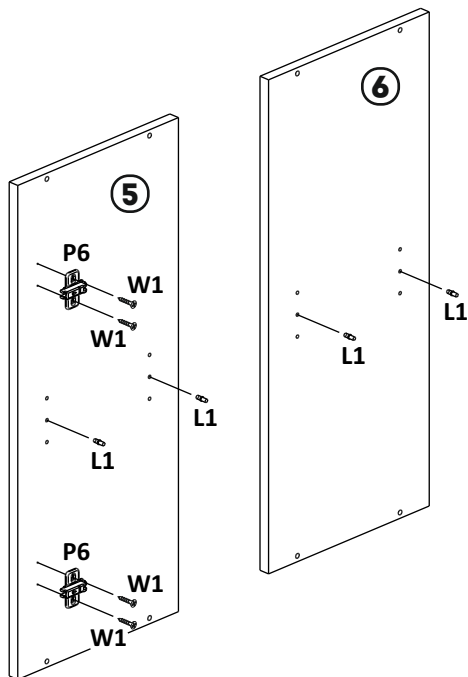
W1

Shelf Holder

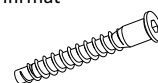


x4

L1

**2**

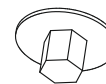
Confirmat



x8

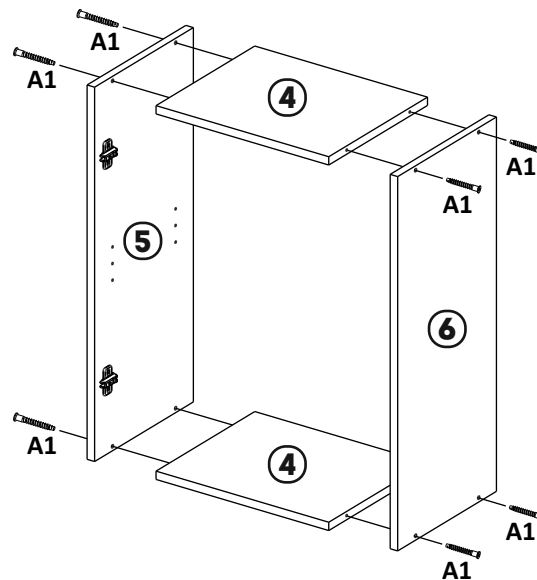
A1

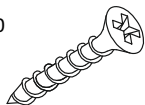
Cap for confirmate



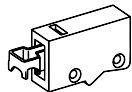
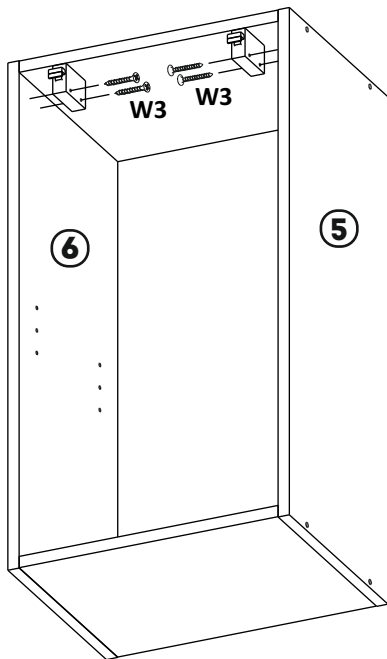
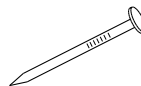
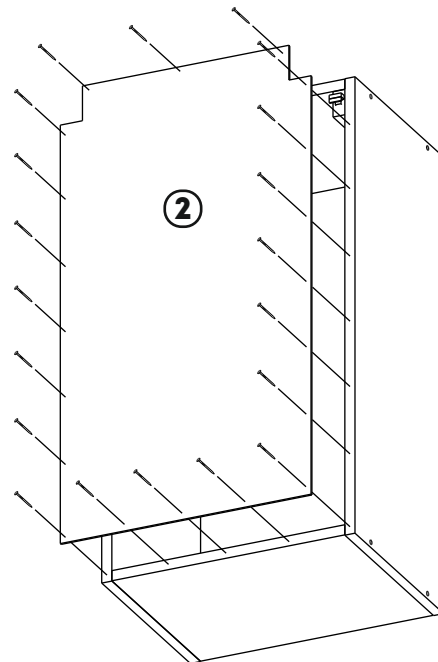
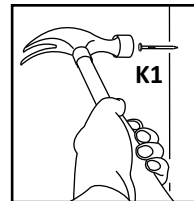
x8

A2



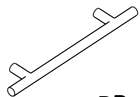
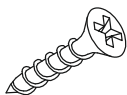
3Screw
3,5x30**x4****W3**

Adjust. Cabinet Hanger

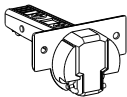
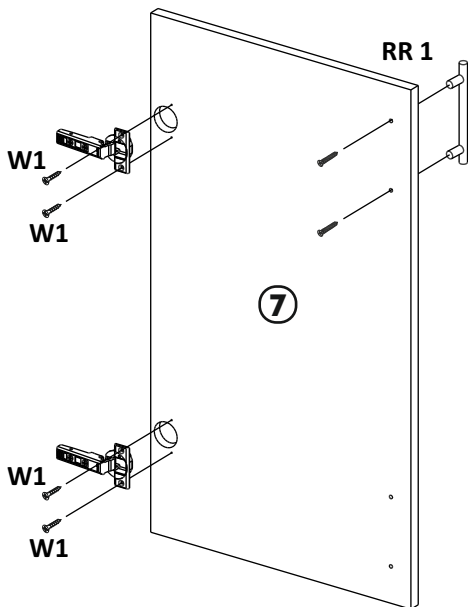
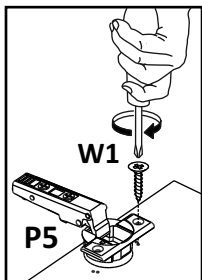
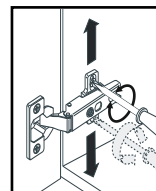
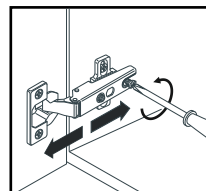
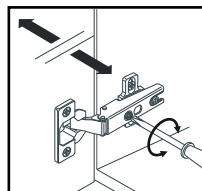
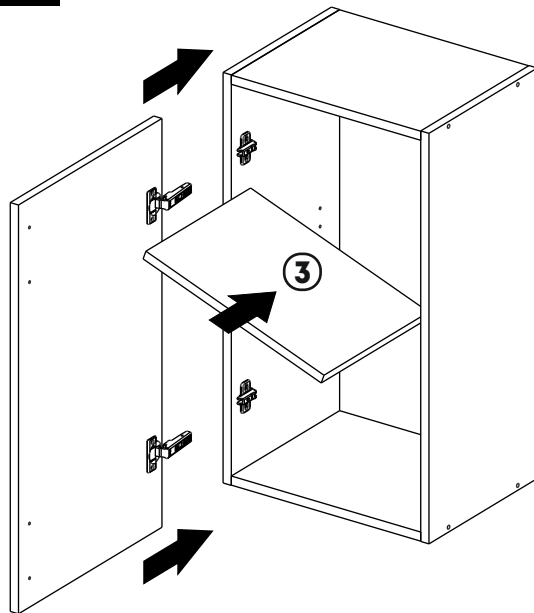
**x2****F2****4**Nail
1x16**x16****K1**

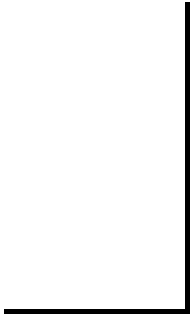
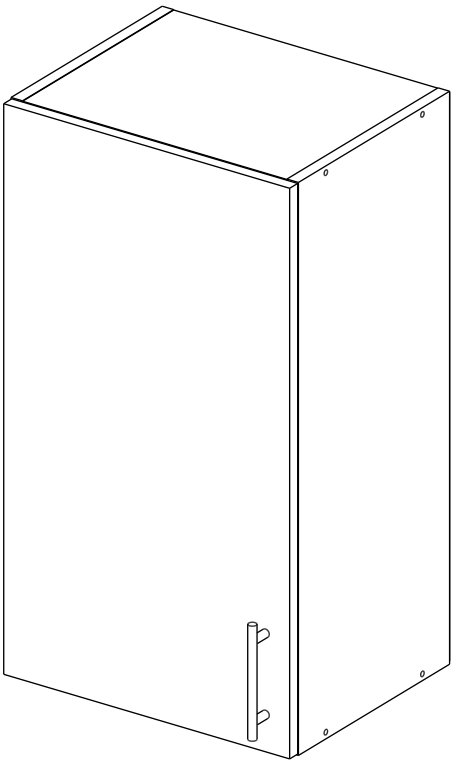
5

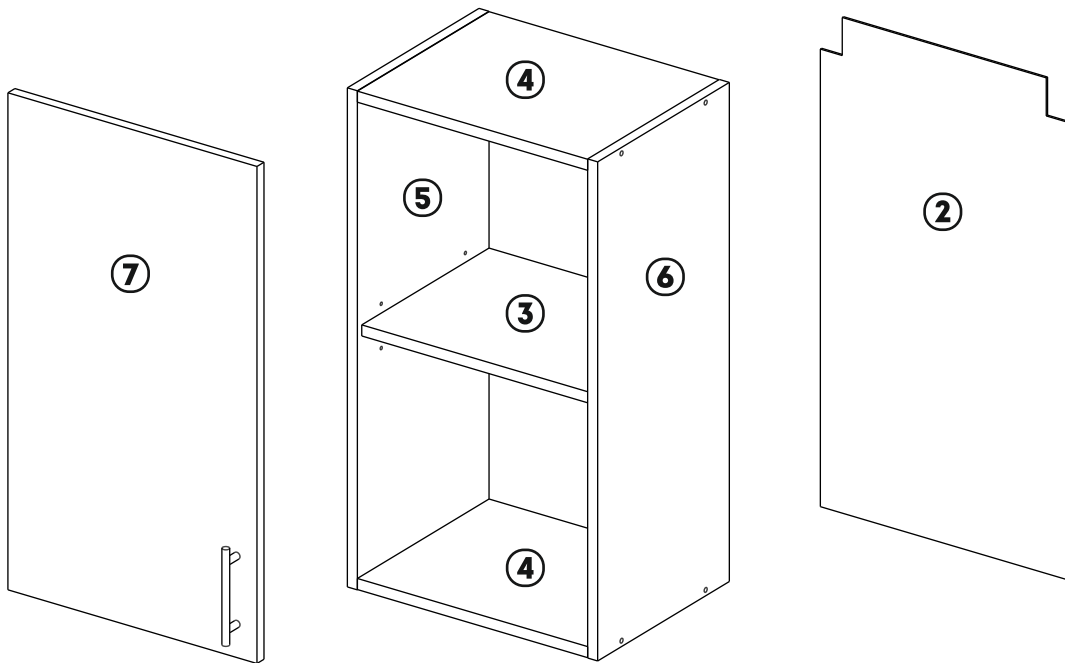
Railing Handle

**x1****RR 1**Screw
3,5x16**x4****W1**

Full Overlay Hinge

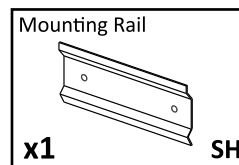
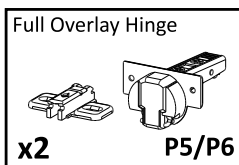
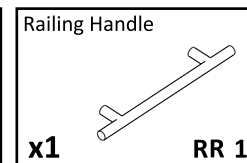
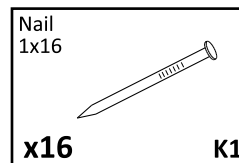
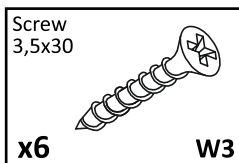
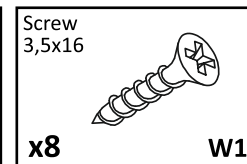
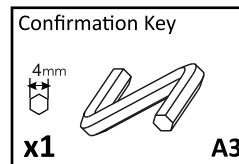
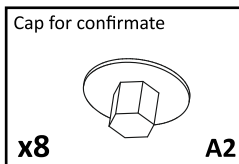
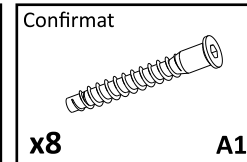
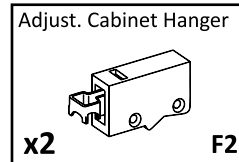
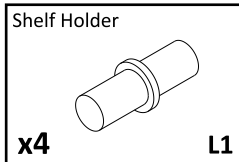
**x2****P5****6**





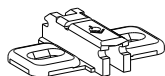
K7-7 (300)

No	a*b	X	Pack
2	716x296	1	3/10
3	268x290	1	3/10
4	268x300	2	3/10
5	720x300	1	3/10
6	720x300	1	3/10
7	716x297	1	7/10



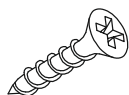
1

Mounting Plate



x2

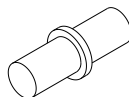
P6

Screw
3,5x16

x4

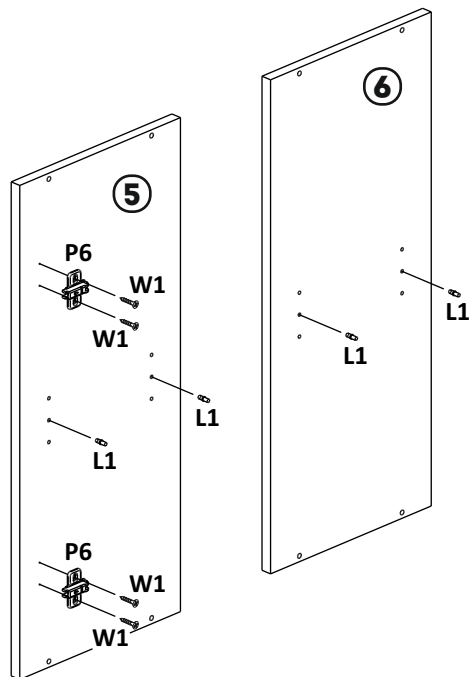
W1

Shelf Holder

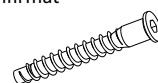


x4

L1

**2**

Confirmat



x8

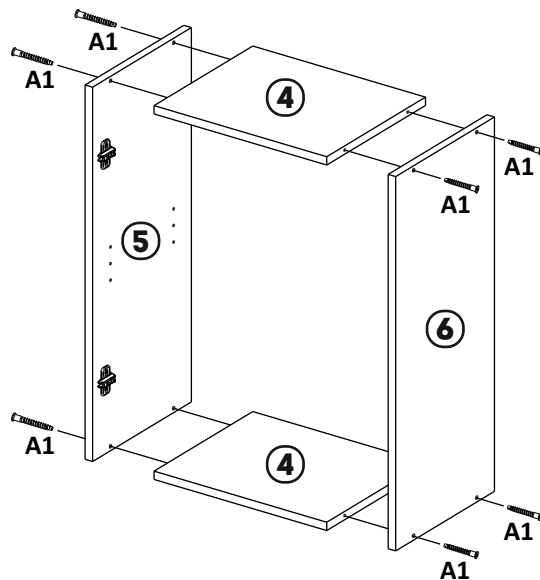
A1

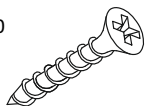
Cap for confirmate



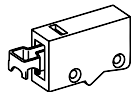
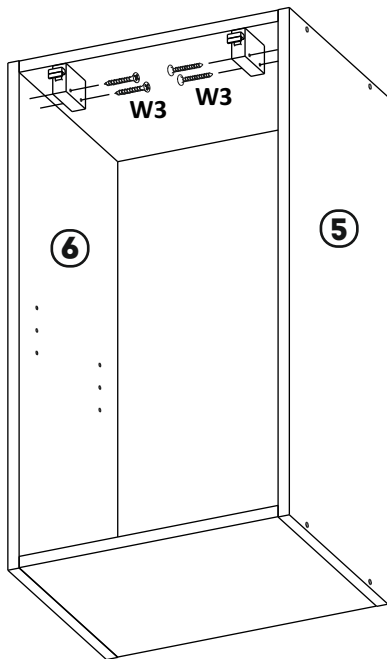
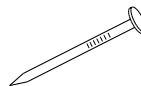
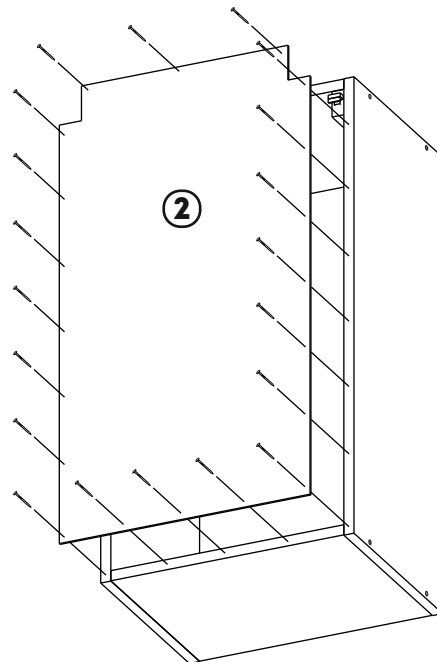
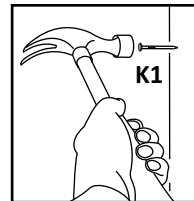
x8

A2



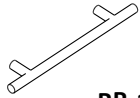
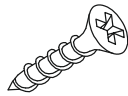
3Screw
3,5x30**x4****W3**

Adjust. Cabinet Hanger

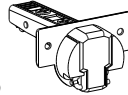
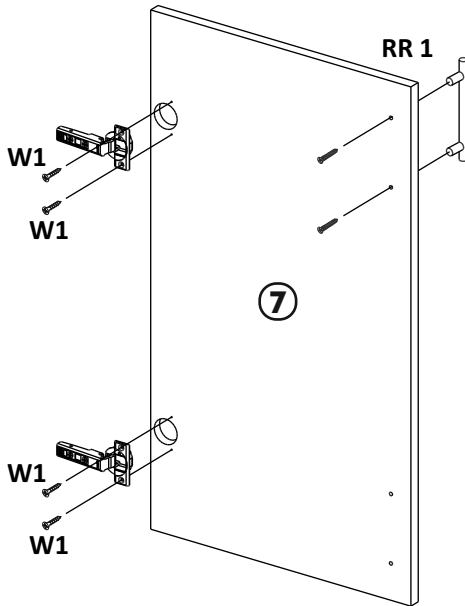
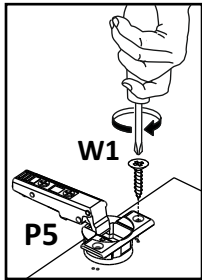
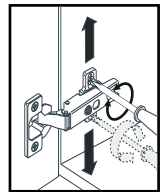
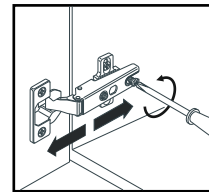
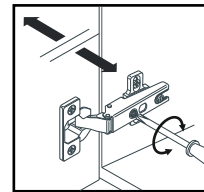
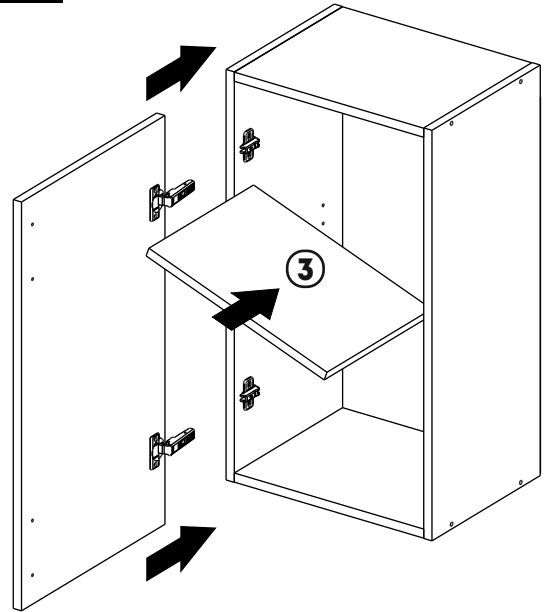
**x2****F2****4**Nail
1x16**x16****K1**

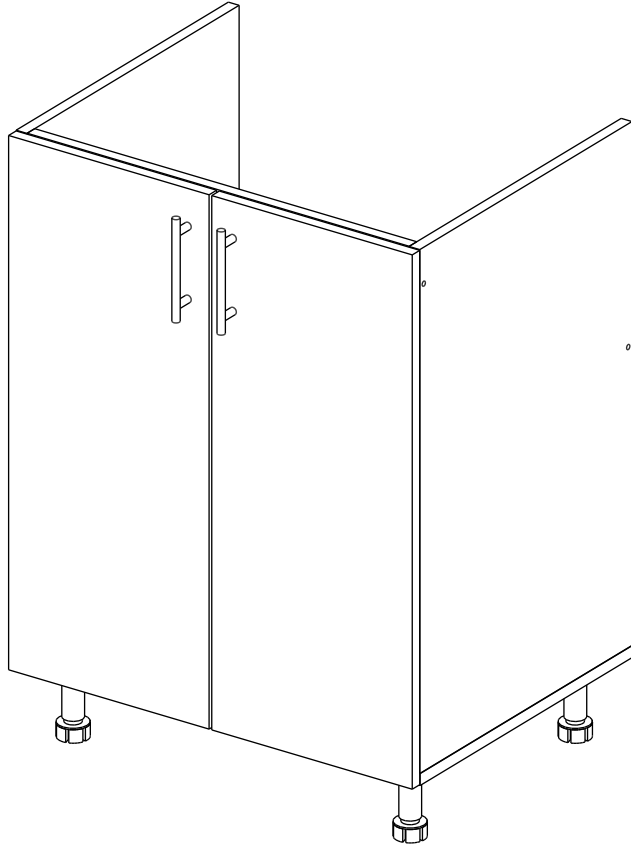
5

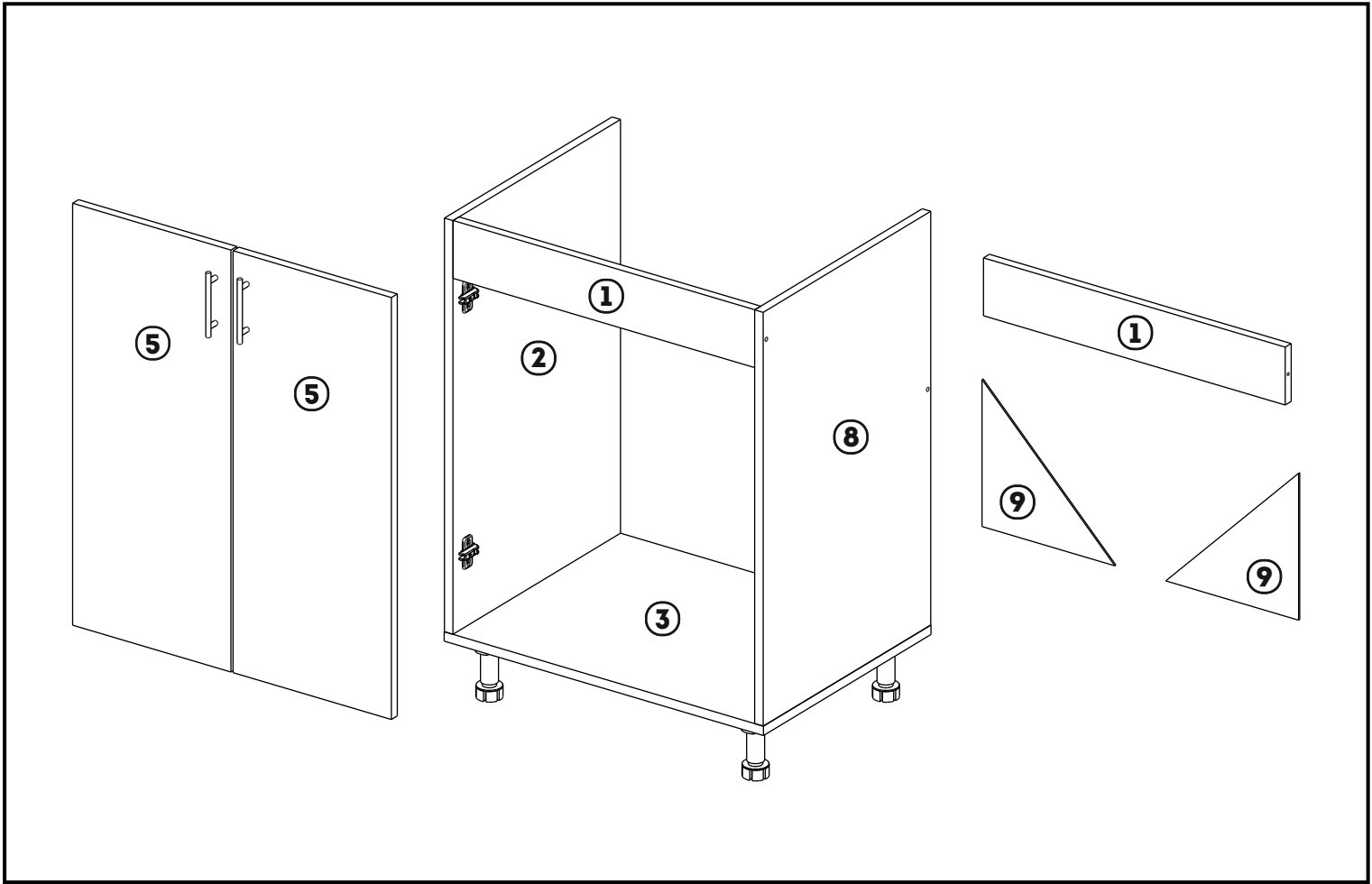
Railing Handle

**x1****RR 1**Screw
3,5x16**x4****W1**

Full Overlay Hinge

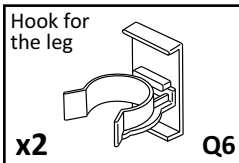
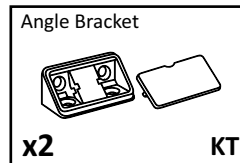
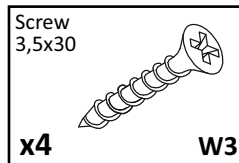
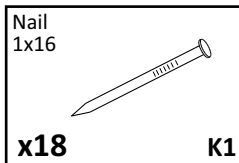
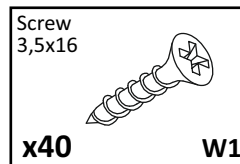
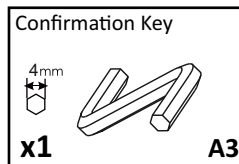
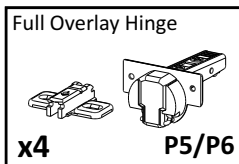
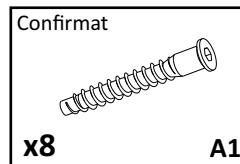
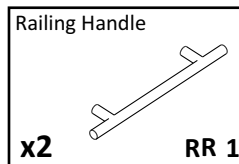
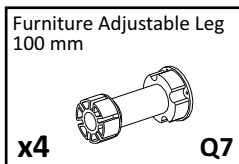
**x2****P5****6**

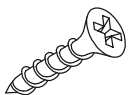
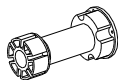
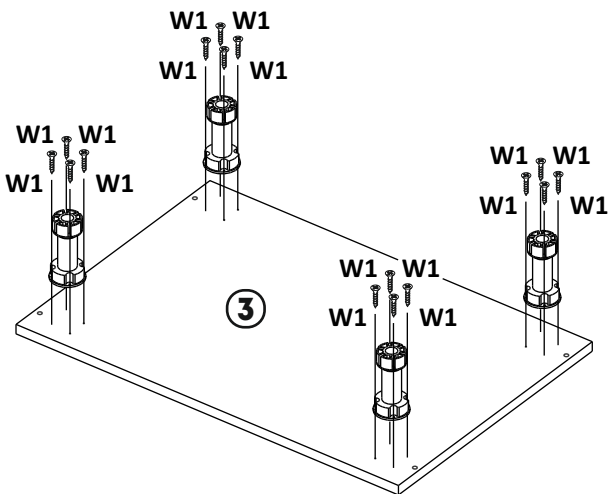




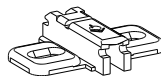
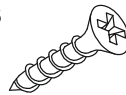
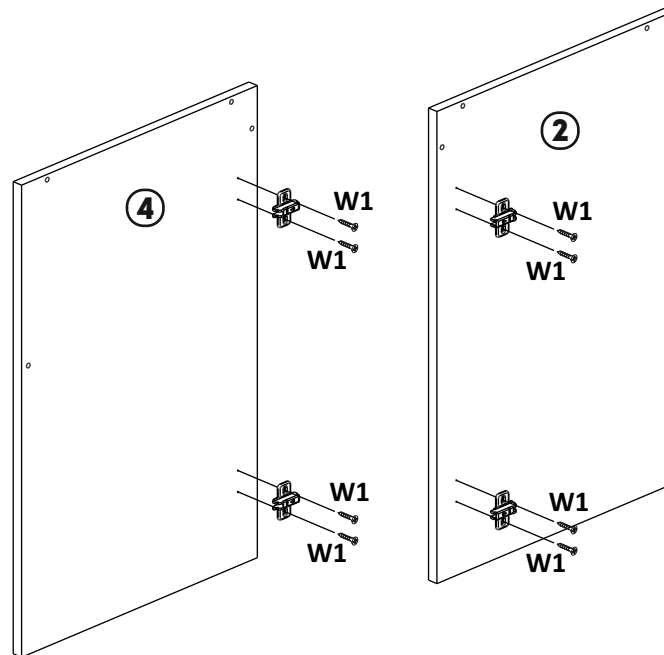
KH-14 (600)

No	a*b	X	Pack
1	99x568	2	4/10
2	704x451	1	4/10
3	601x451	1	4/10
8	704x451	1	4/10
5	716x297	2	7/10
9	250x250	2	4/10



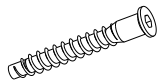
1Screw
3,5x16**x16****W1**Furniture Adjustable Leg
100 mm**x4****Q7****2**

Mounting Plate

**x4****P6**Screw
3,5x16**x8****W1**

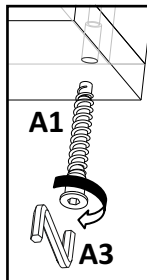
3

Confirmat



x4

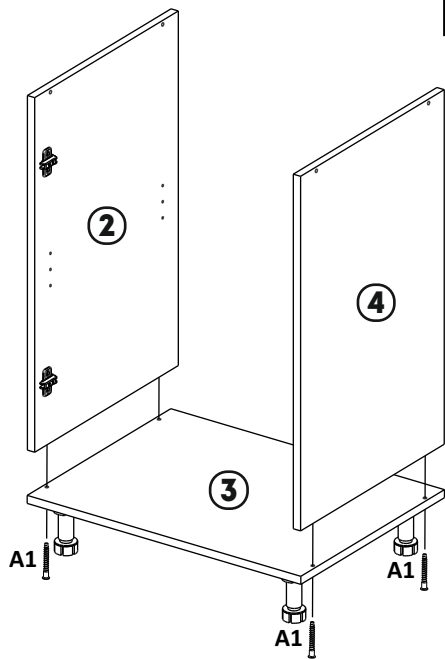
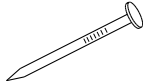
A1



A1



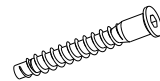
A3

**4**Nail
1x16

x18

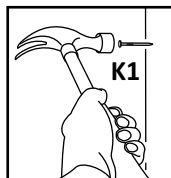
K1

Confirmat

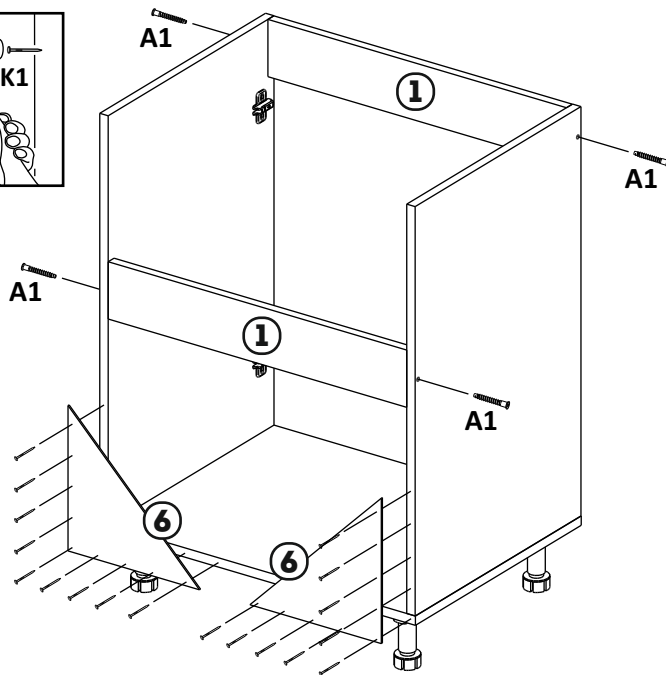


x4

A1

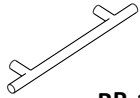
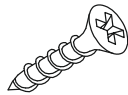


A1

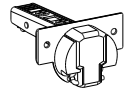
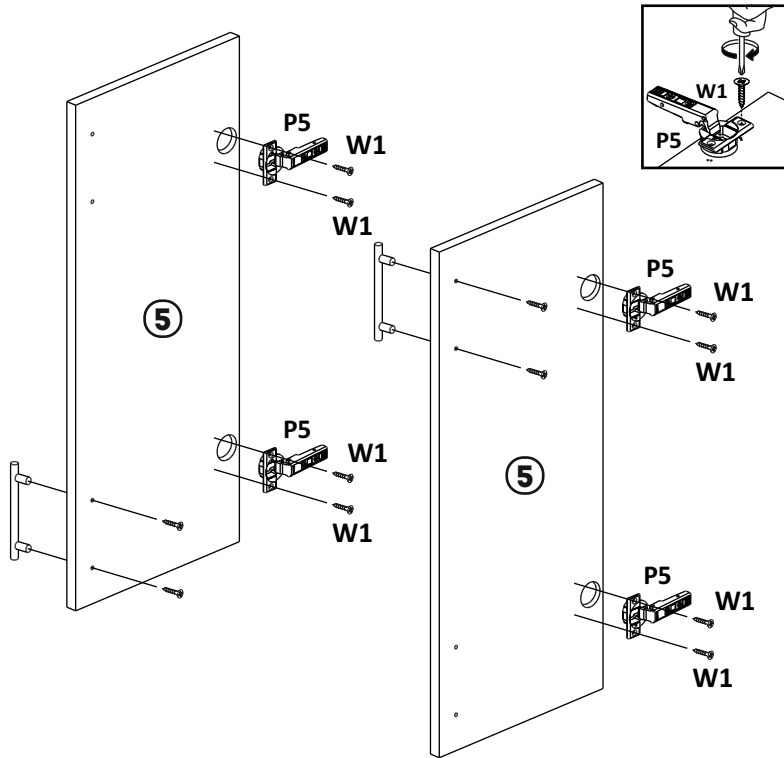
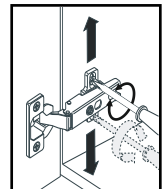
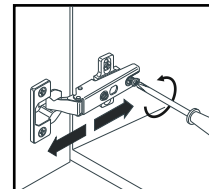
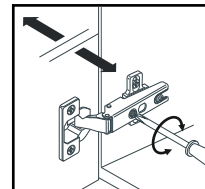
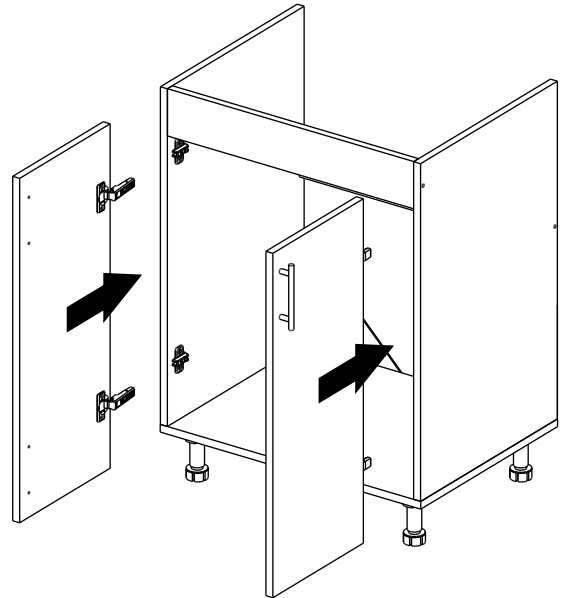


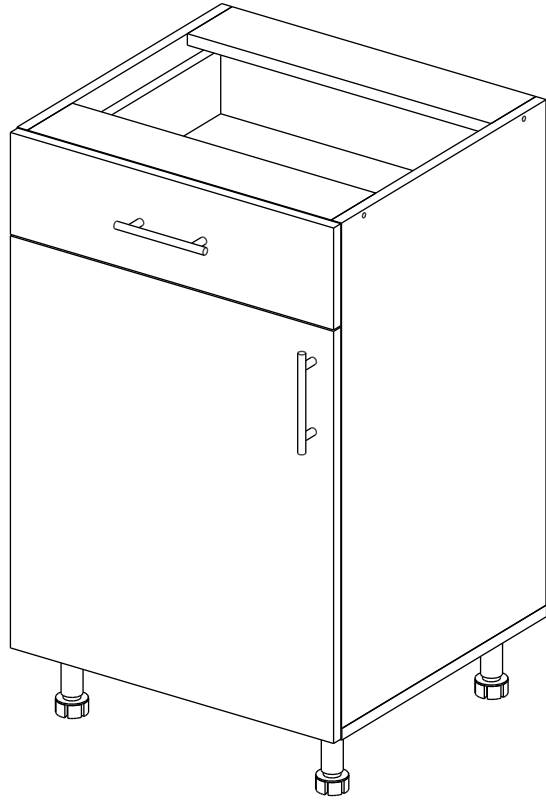
5

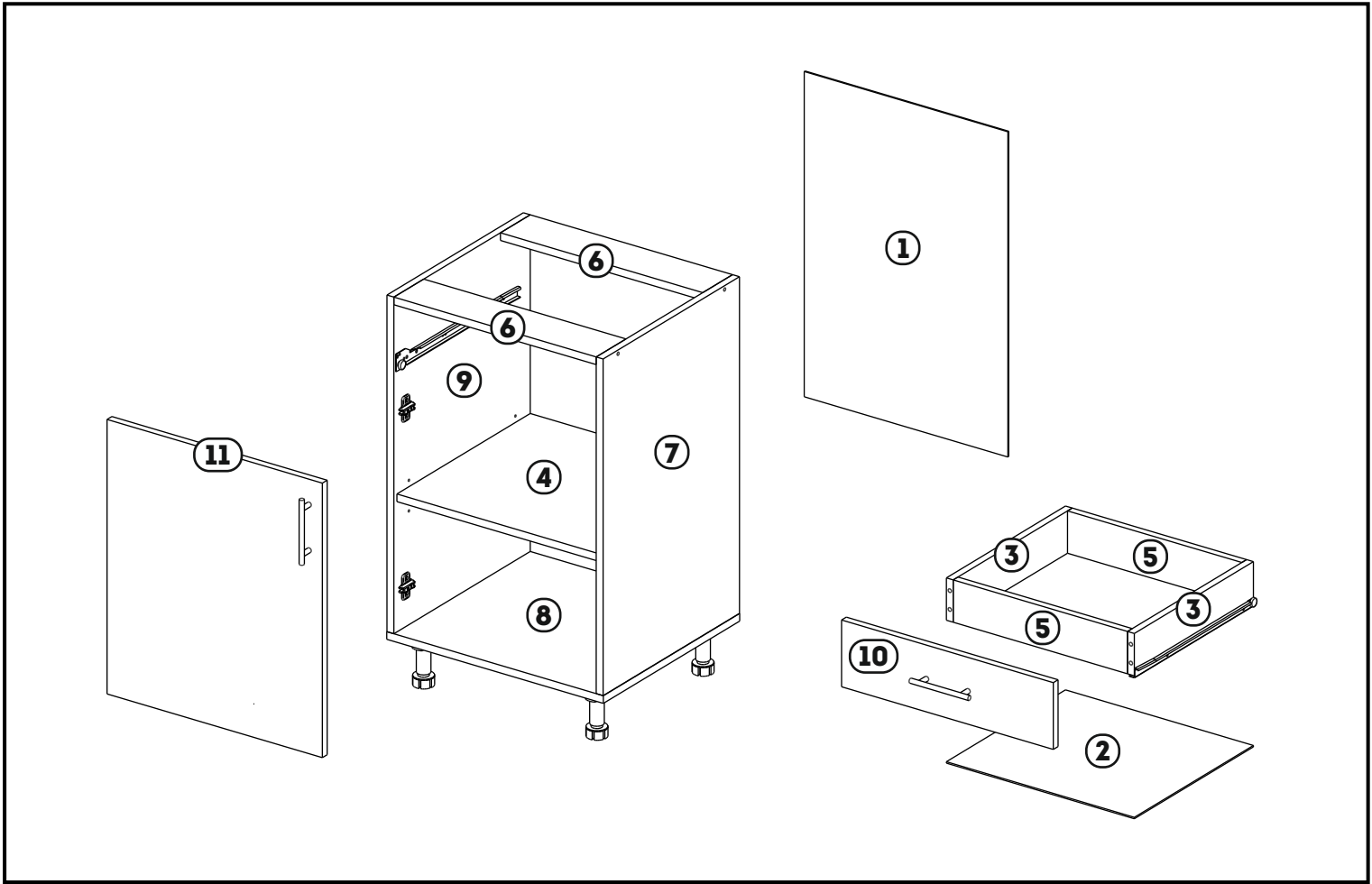
Railing Handle

**x2****RR 1**Screw
3,5x16**x8****W1**

Full Overlay Hinge

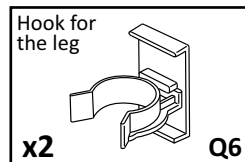
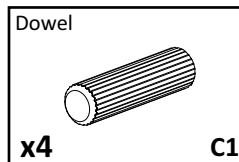
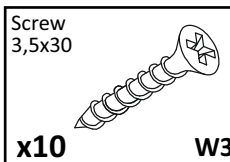
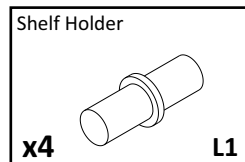
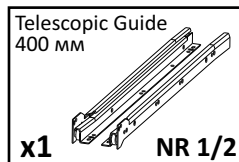
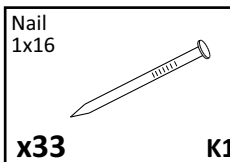
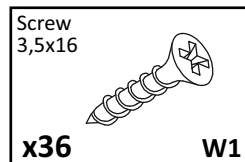
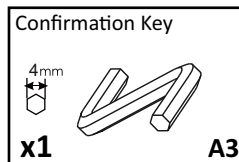
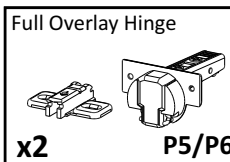
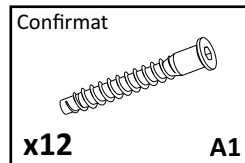
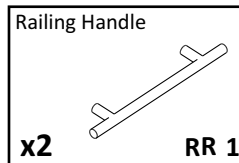
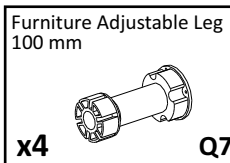
**x4****P5****6**





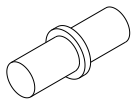
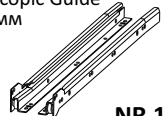
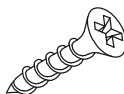
KH-11 (300)

No	a*b	X	Pack
1	716x296	1	5/10
2	242x400	1	5/10
3	400x88	2	5/10
4	268x440	1	5/10
5	210x88	2	5/10
6	268x98	2	5/10
7	704x450	1	5/10
8	300x450	1	5/10
9	704x450	1	5/10
10	140x297	1	7/10
11	572x297	1	7/10

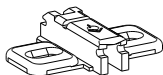
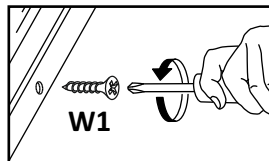
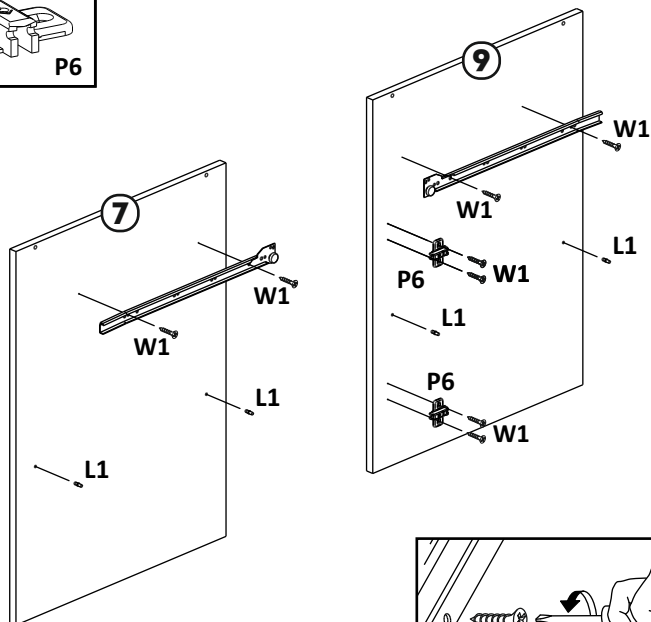
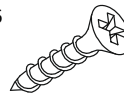
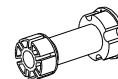
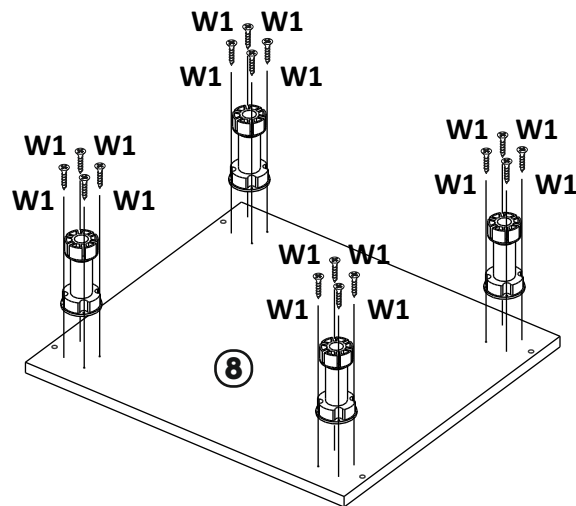


1

Shelf Holder

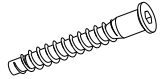
**x4****L1**Telescopic Guide
400 mm**x1****NR 1**Screw
3,5x16**x8****W1**

Mounting Plate

**x2****P6****2**Screw
3,5x16**x16****W1**Furniture Adjustable Leg
100 mm**x4****Q7**

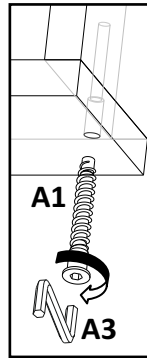
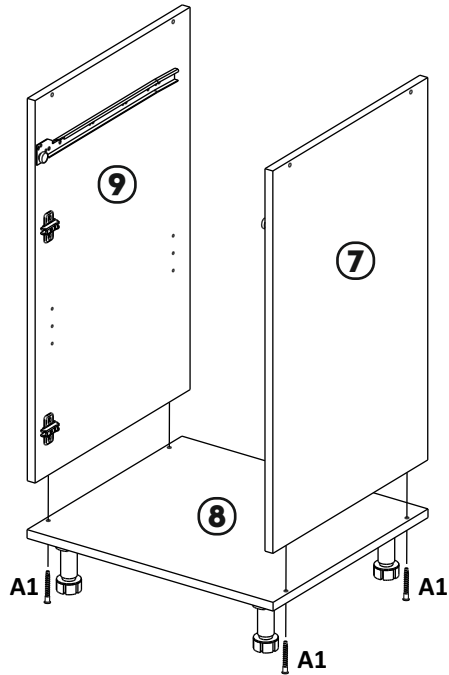
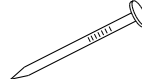
3

Confirmat



x4

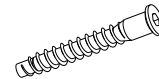
A1

**4**Nail
1x16

x18

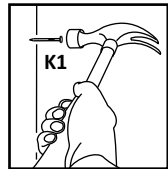
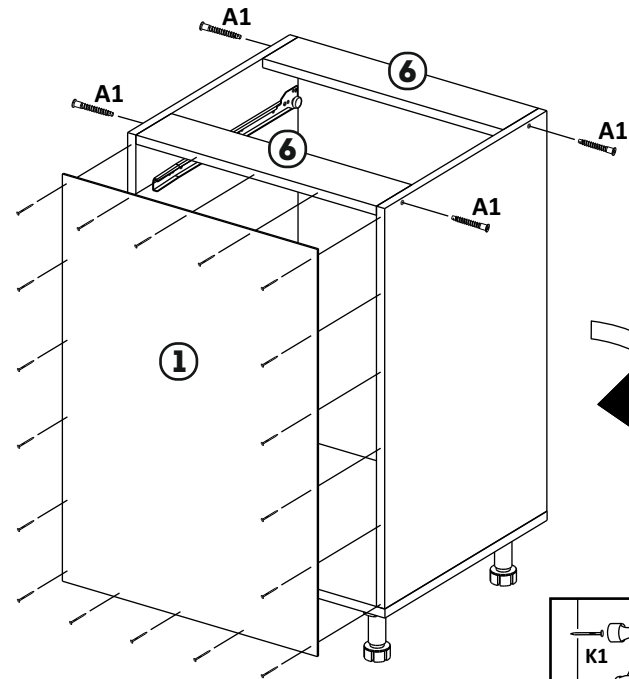
K1

Confirmat



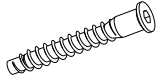
x4

A1



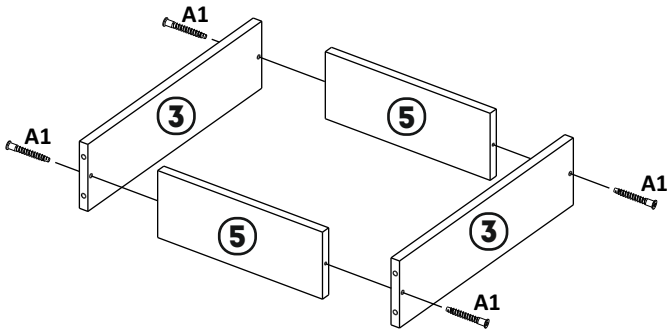
5

Confirmat



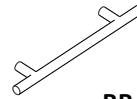
x4

A1



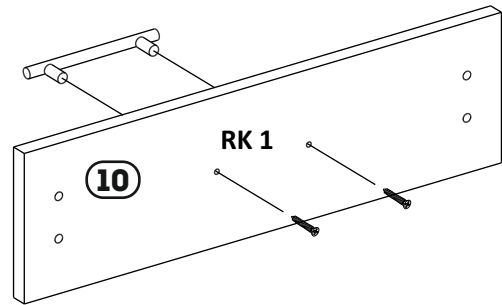
6

Railing Handle



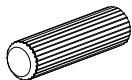
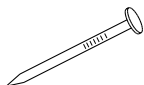
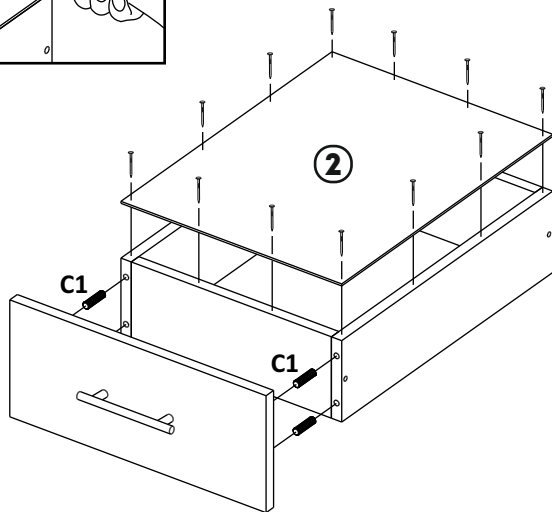
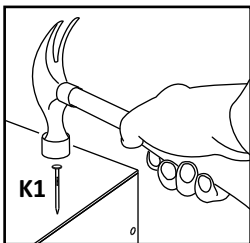
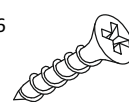
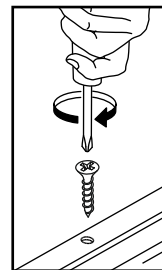
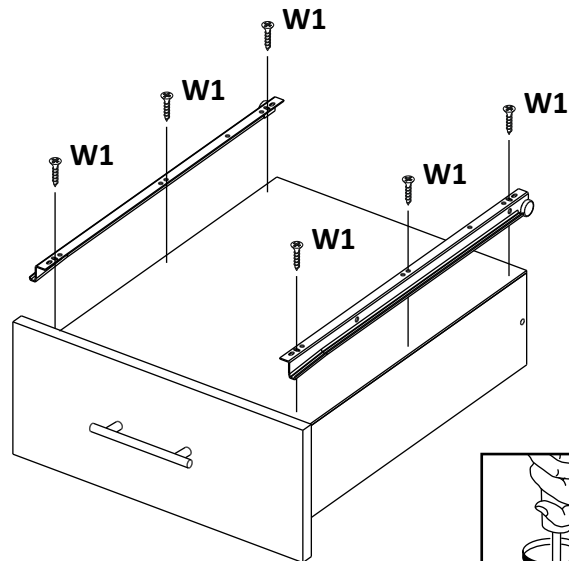
x1

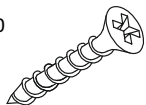
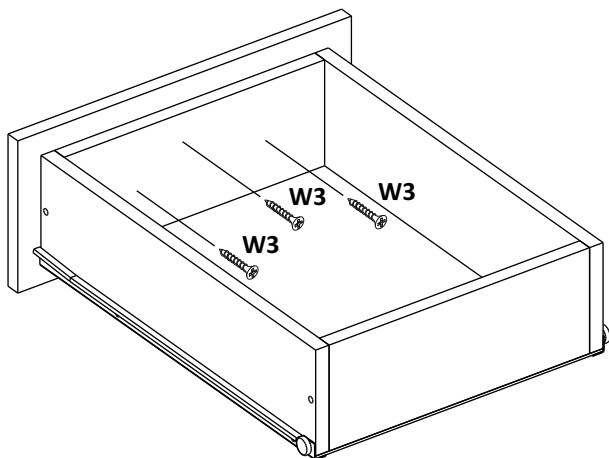
RR 1



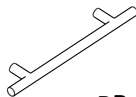
7

Dowel

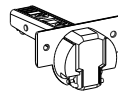
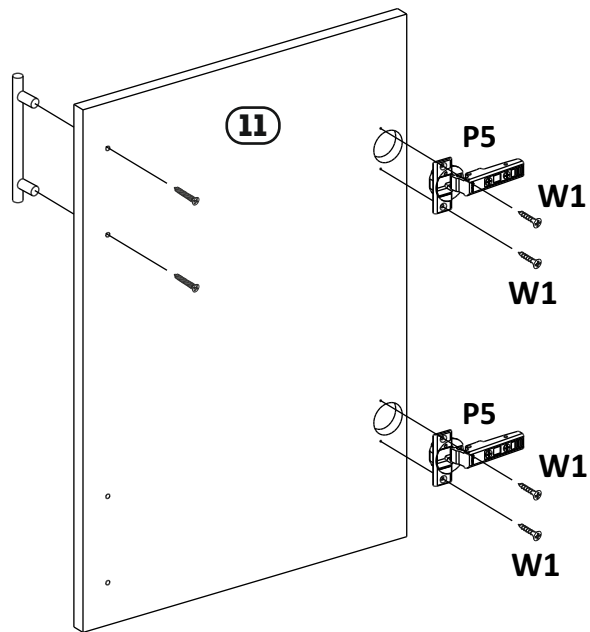
**x4****C1**Nail
1x16**x12****K1****8**Telescopic Guide
400 mm**x1****NR 2**Screw
3,5x16**x6****W1**

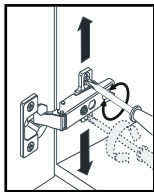
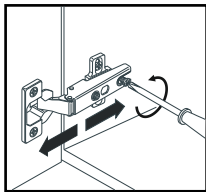
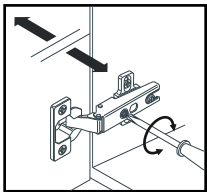
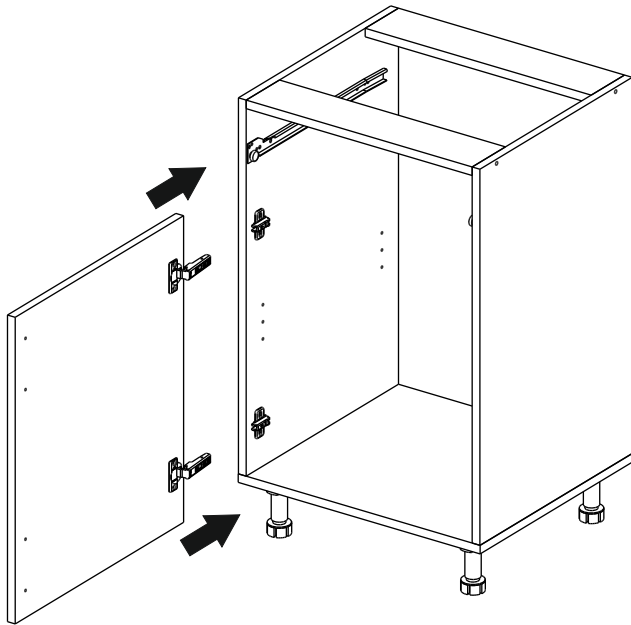
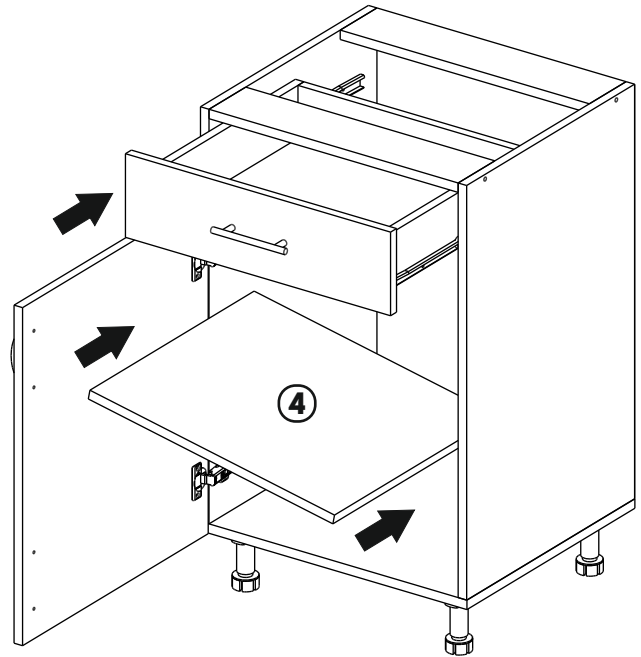
9Screw
3,5x30**x4****W3****10**

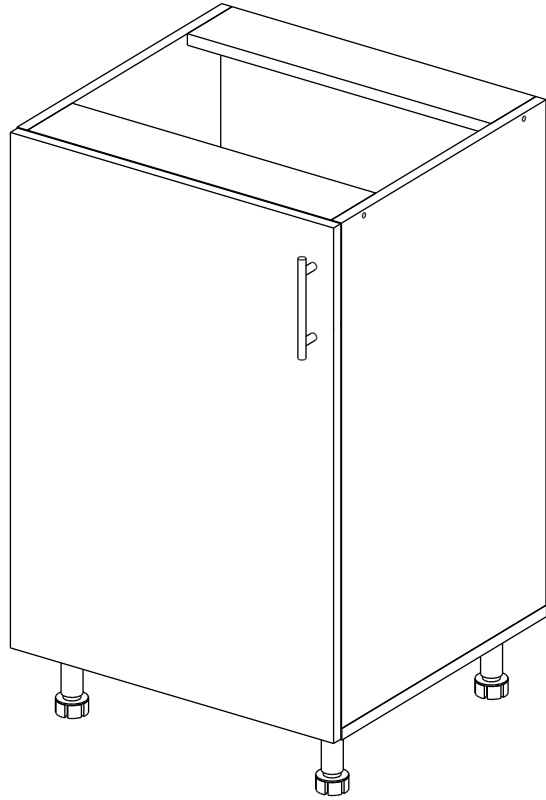
Railing Handle

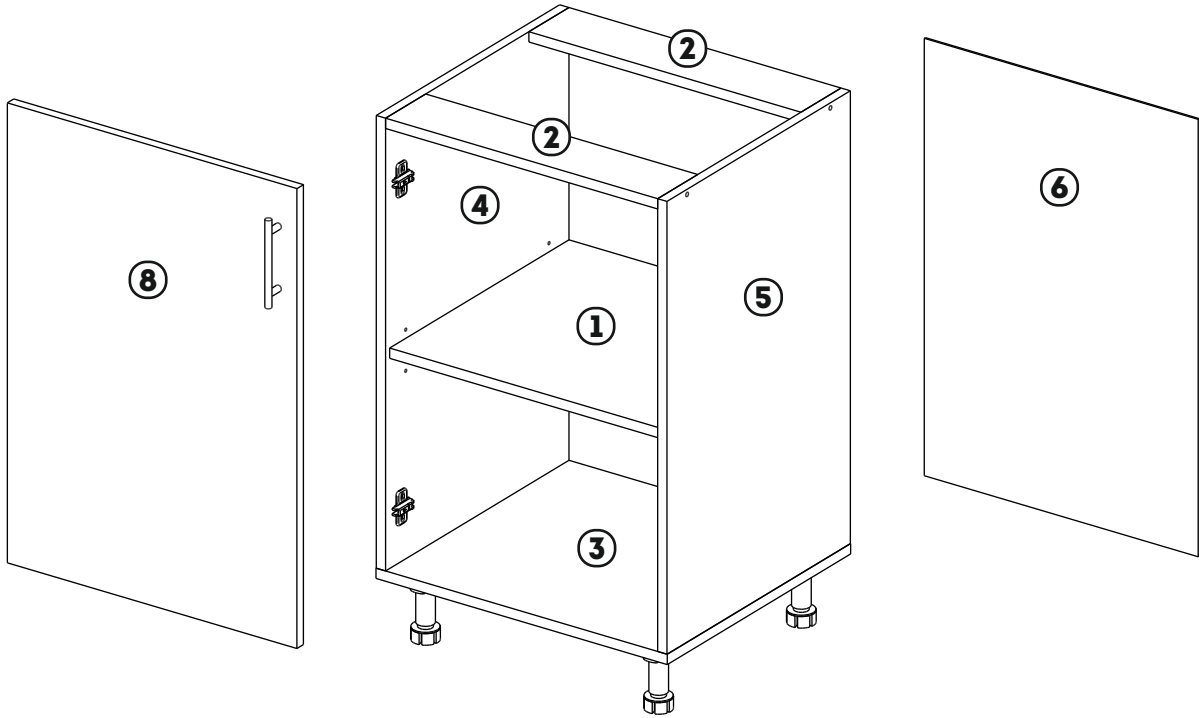
**x1****RR 1**

Full Overlay Hinge

**x2****P5**

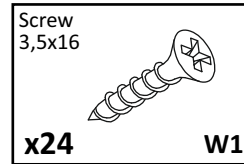
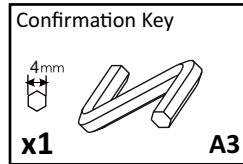
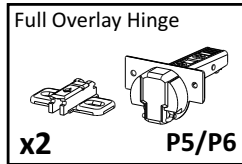
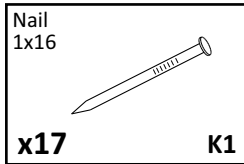
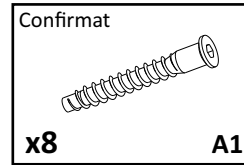
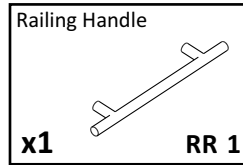
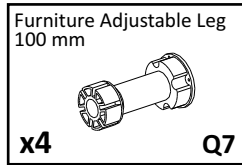
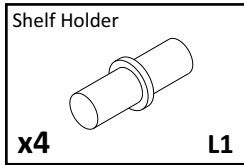
11**12**





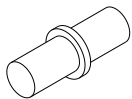
KH-12 (300)

No	a*b	X	Pack
1	268x440	1	6/10
2	268x98	2	6/10
3	300x450	1	6/10
4	704x450	1	6/10
5	704x450	1	6/10
6	716x296	1	6/10
8	716x296	1	7/10

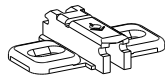
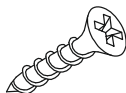
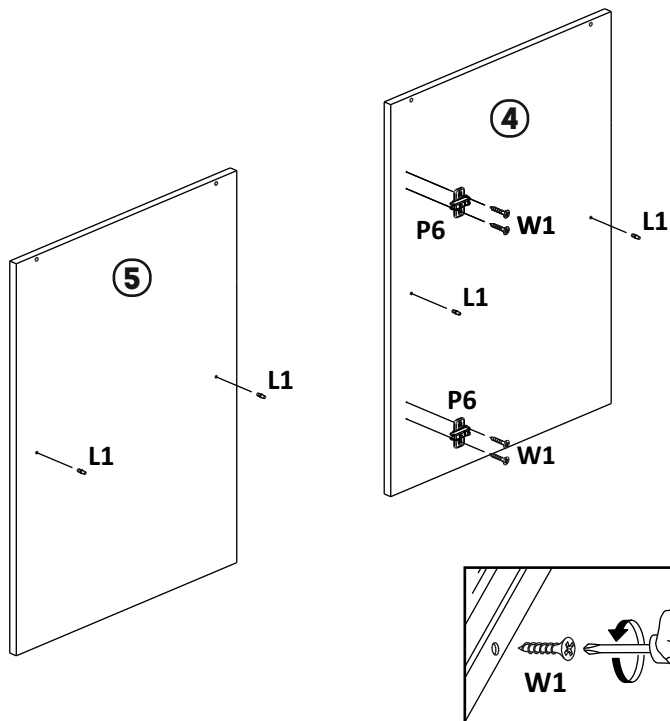
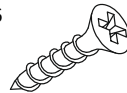
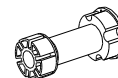
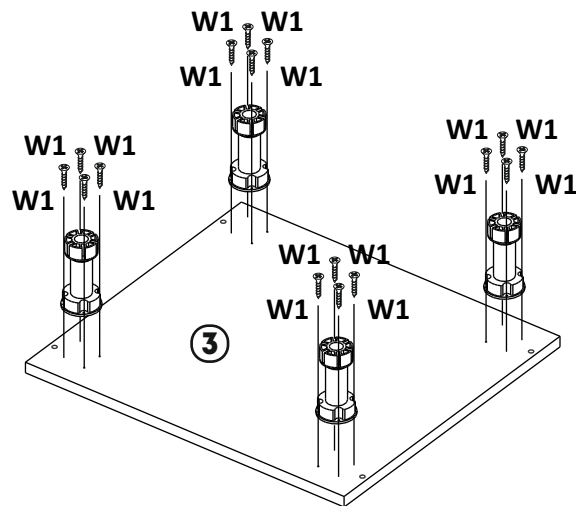


1

Shelf Holder

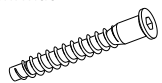
**x4****L1**

Mounting Plate

**x2****P6**Screw
3,5x16**x8****W1****2**Screw
3,5x16**x16****W1**Furniture Adjustable Leg
100 mm**x4****Q7**

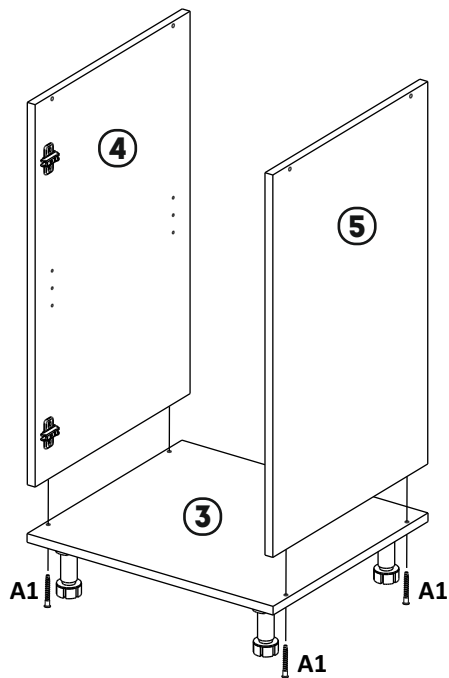
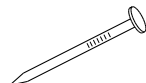
3

Confirmat



x4

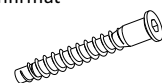
A1

**4**Nail
1x16

x17

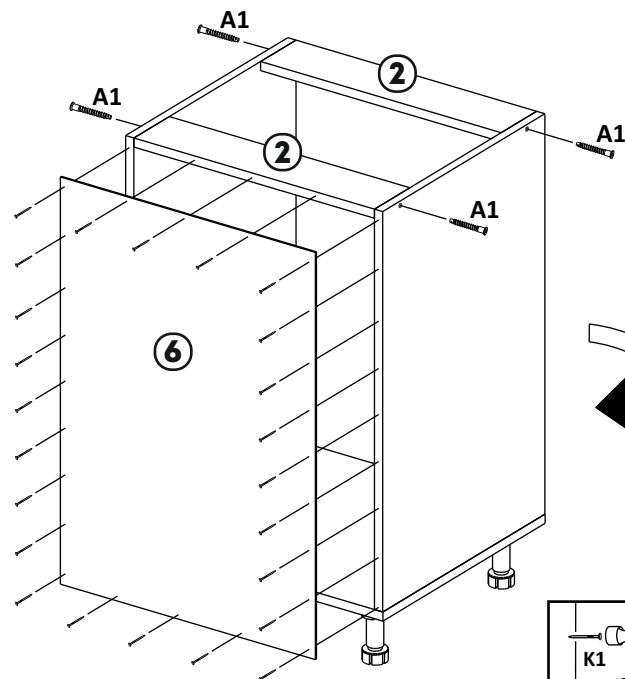
K1

Confirmat



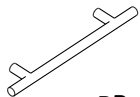
x4

A1

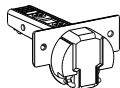
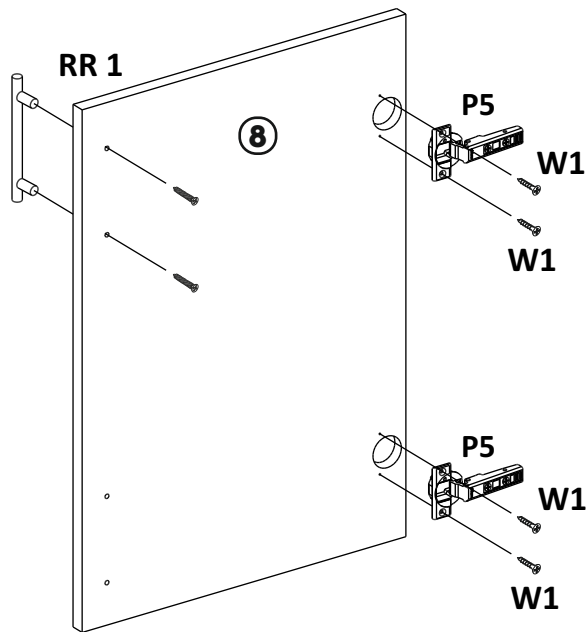


5

Railing Handle

**x1****RR 1**

Full Overlay Hinge

**x2****P5****6**