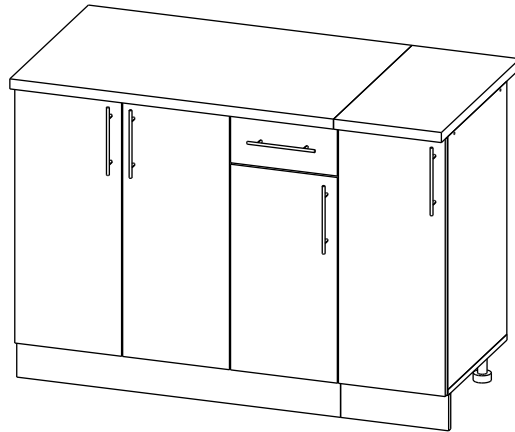
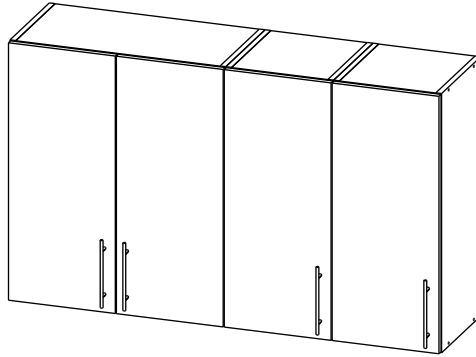
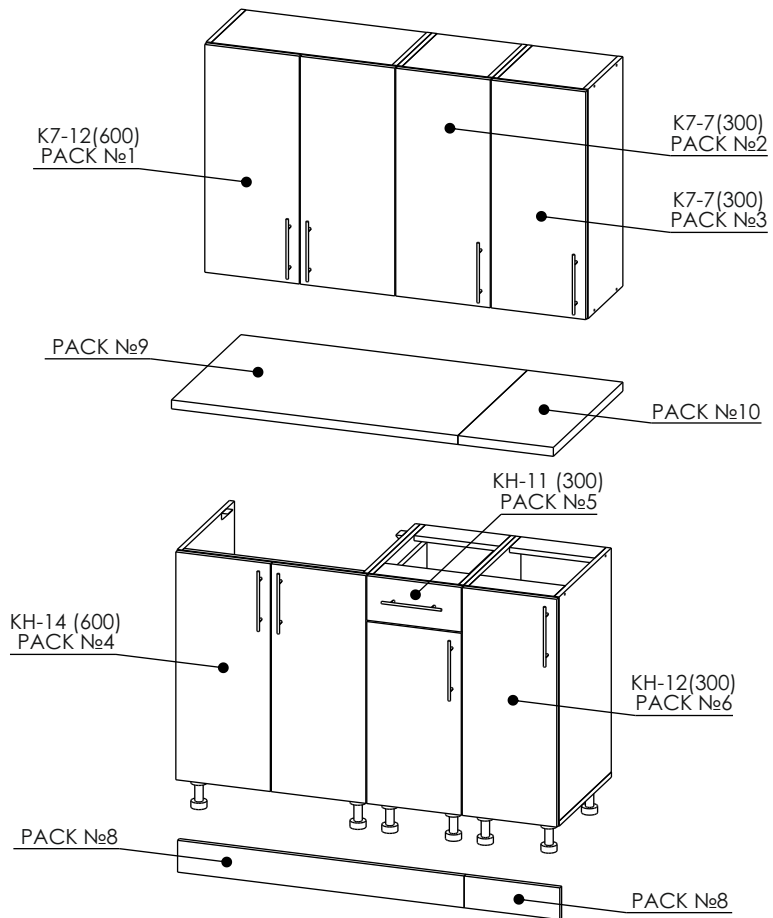
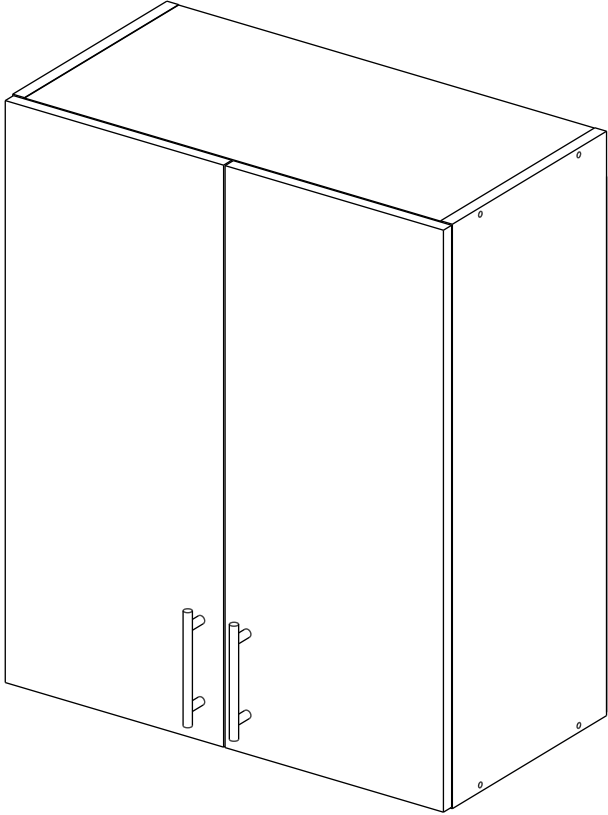


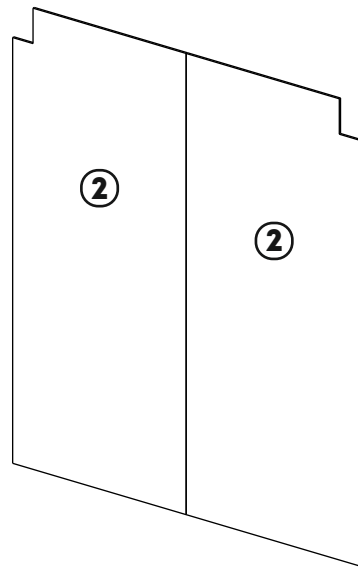
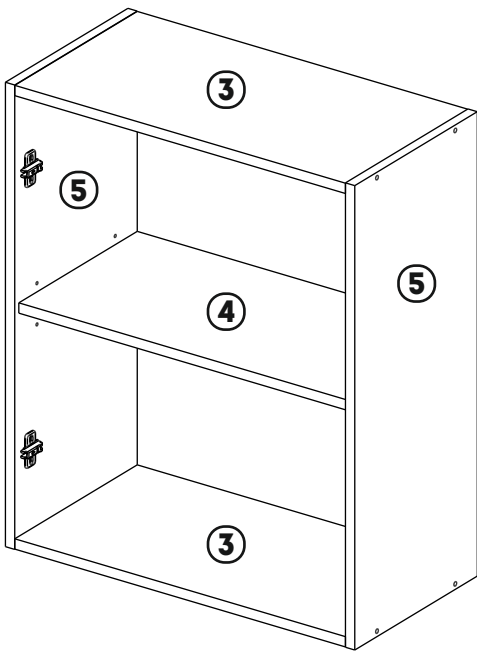
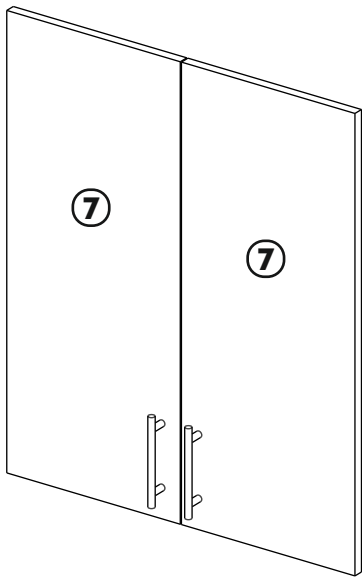
 **pakkeTO**



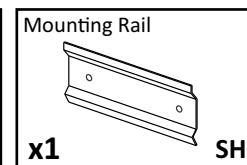
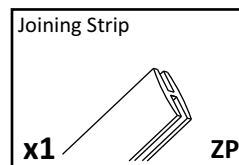
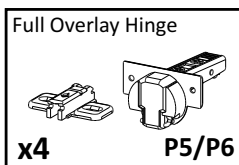
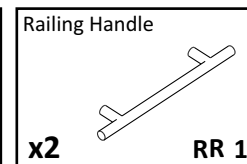
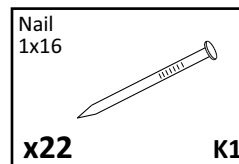
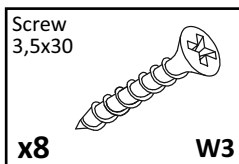
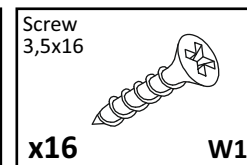
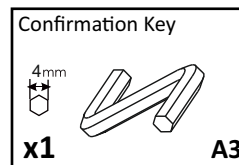
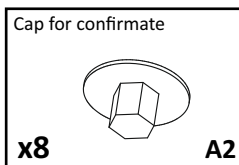
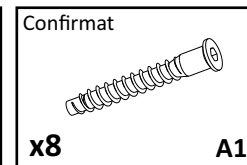
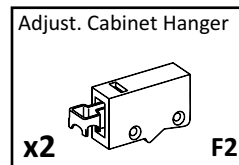
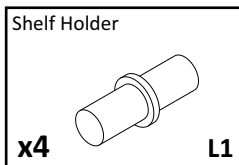
361-000012

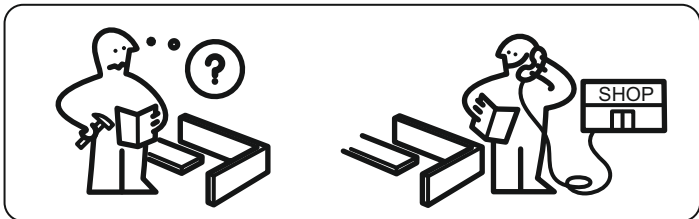
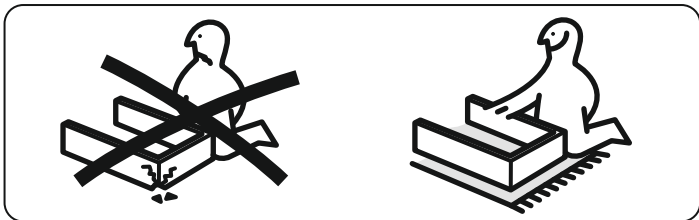
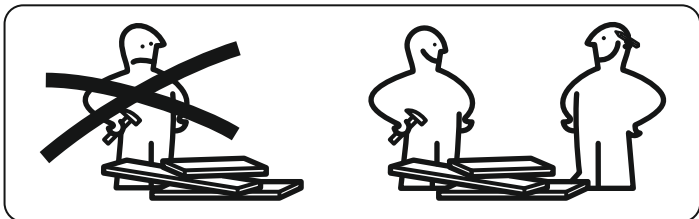






K7-12 (600)			
No	a*b	X	Pack
2	716x298	2	1/10
3	568x300	2	1/10
4	568x290	1	1/10
5	721x300	2	1/10
7	716x297	2	7/10





## GENERAL TECHNICAL INSTRUCTIONS FOR FURNITURE ASSEMBLY

- CHECK COMPATIBILITY OF PARTS AND ACCESSORIES BEFORE ASSEMBLY.
- FOR FURNITURE ASSEMBLY, WE RECOMMEND USING THE SERVICES OF QUALIFIED SPECIALISTS.
- DO ASSEMBLY ON A SURFACE COVERED WITH CLOTH OR CARDBOARD TO PREVENT SCRATCHES.

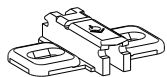
## CARE AND MAINTENANCE OF FURNITURE

- KEEP THE FURNITURE FROM PROLONGED CONTACT WITH WATER OR HOT STEAM.
- ENSURE SUFFICIENT DISTANCE FROM ELECTRICAL APPLIANCES AND HEATERS.
- IF THERE IS DIRTY ON THE FURNITURE, REMOVE IT WITH A DAMP CLOTH AND THEN WIPE IT DRY. DO NOT USE ABRASIVE MATERIALS.

**1**

Mounting Plate

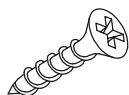
x4



P6

Screw  
3,5x16

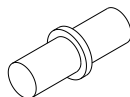
x8



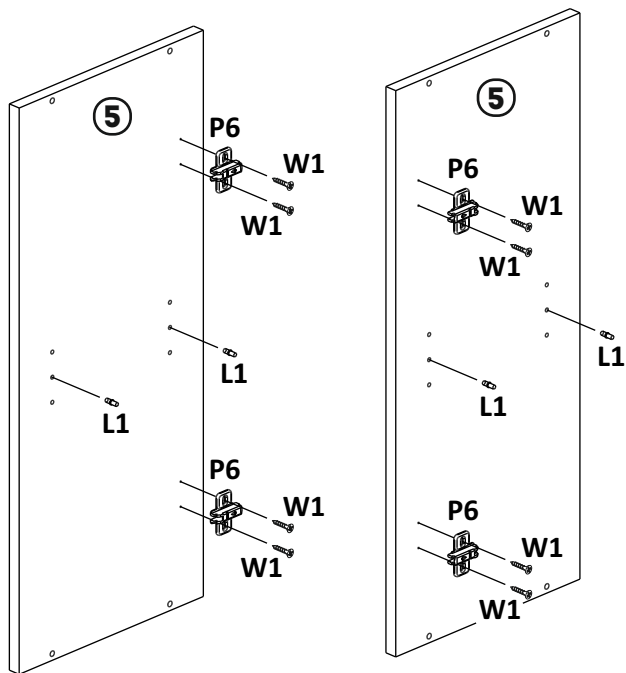
W1

Shelf Holder

x4

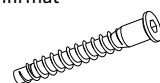


L1

**2**

Confirmat

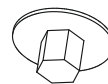
x8



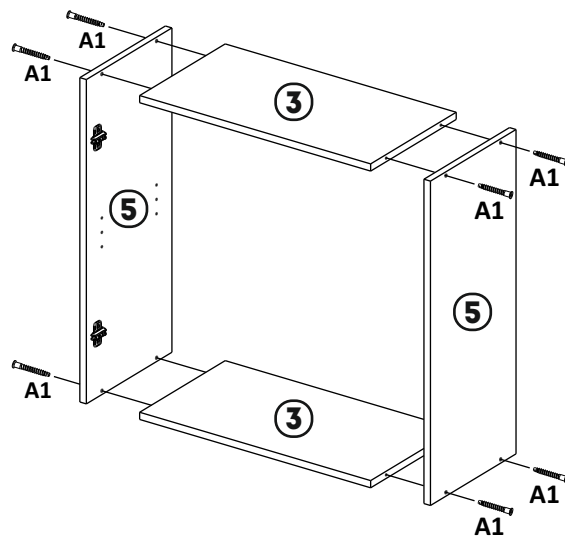
A1

Cap for confirmate

x8

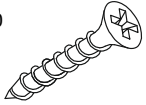


A2



# 3

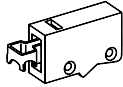
Screw  
3,5x30



x4

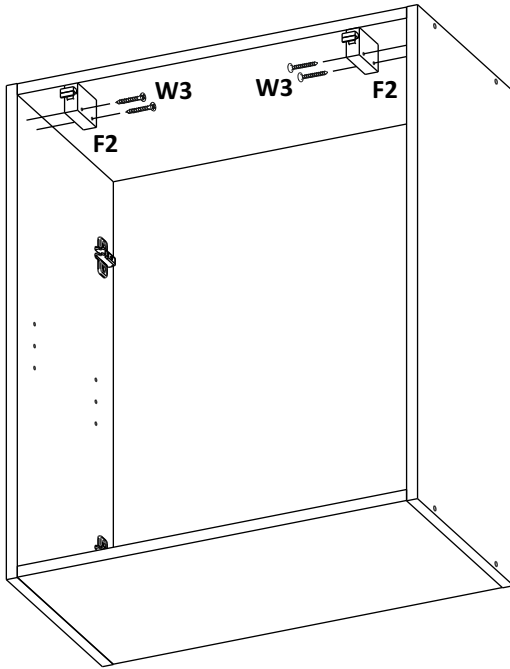
W3

Adjust. Cabinet Hanger



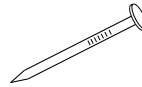
x2

F2



# 4

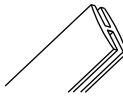
Nail  
1x16



x22

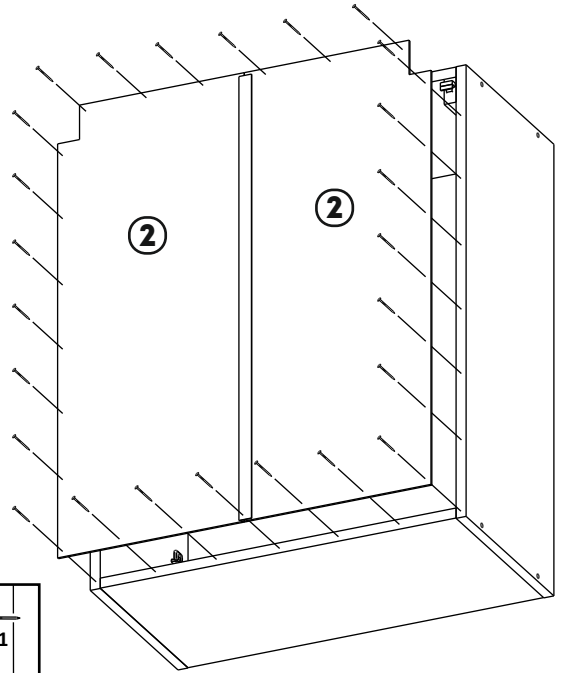
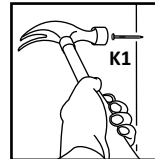
K1

Joining Strip



x1

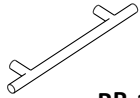
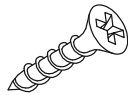
ZP



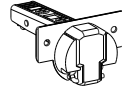
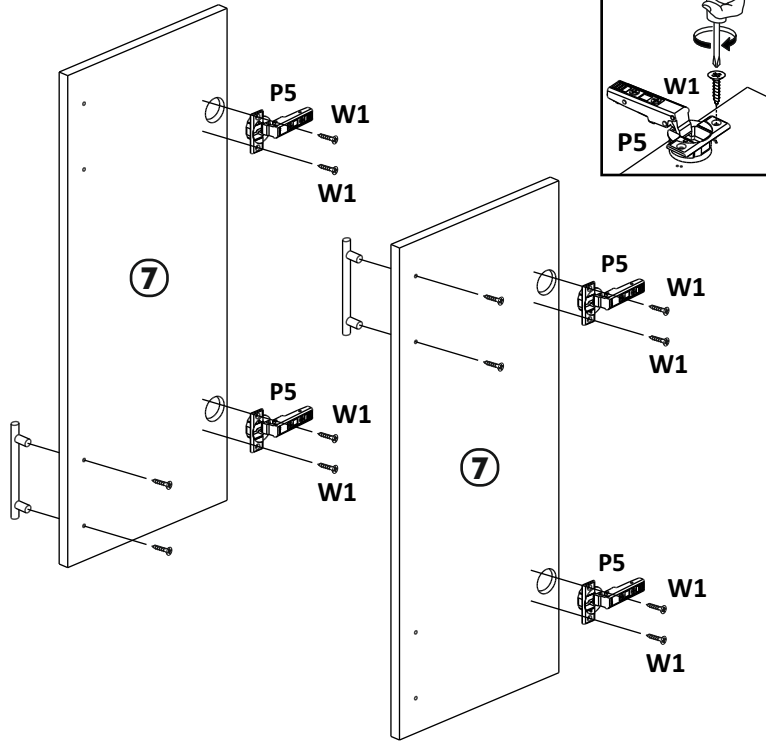
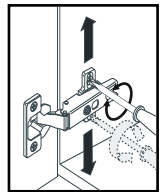
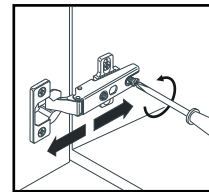
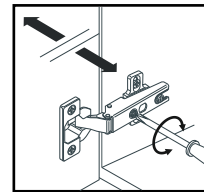
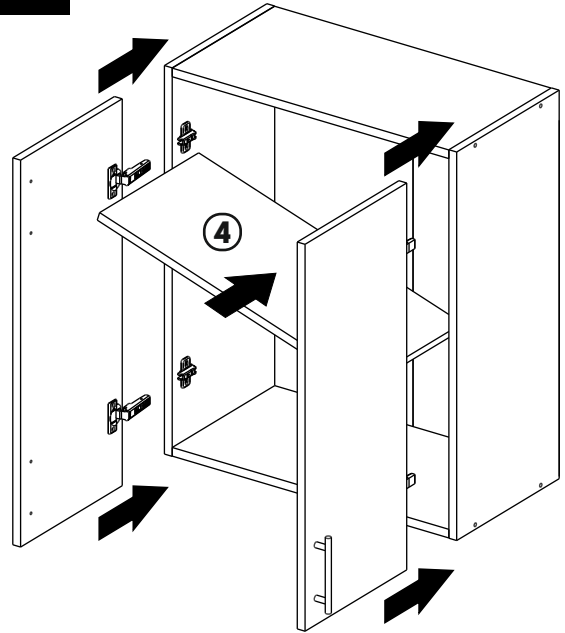


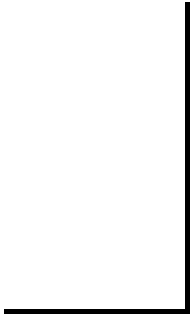
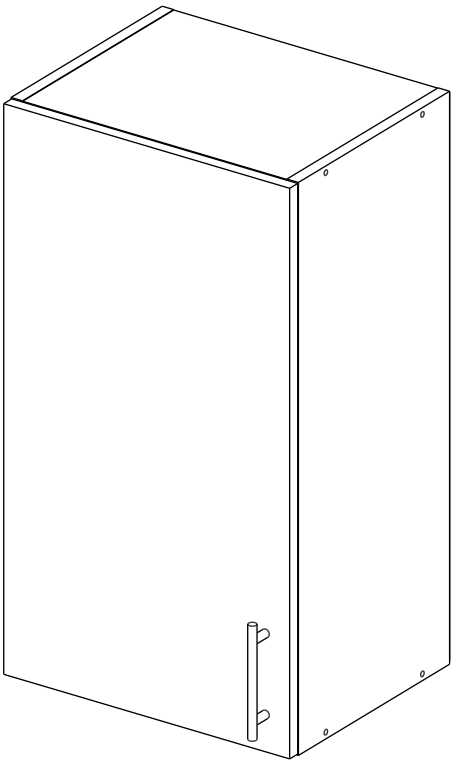
**5**

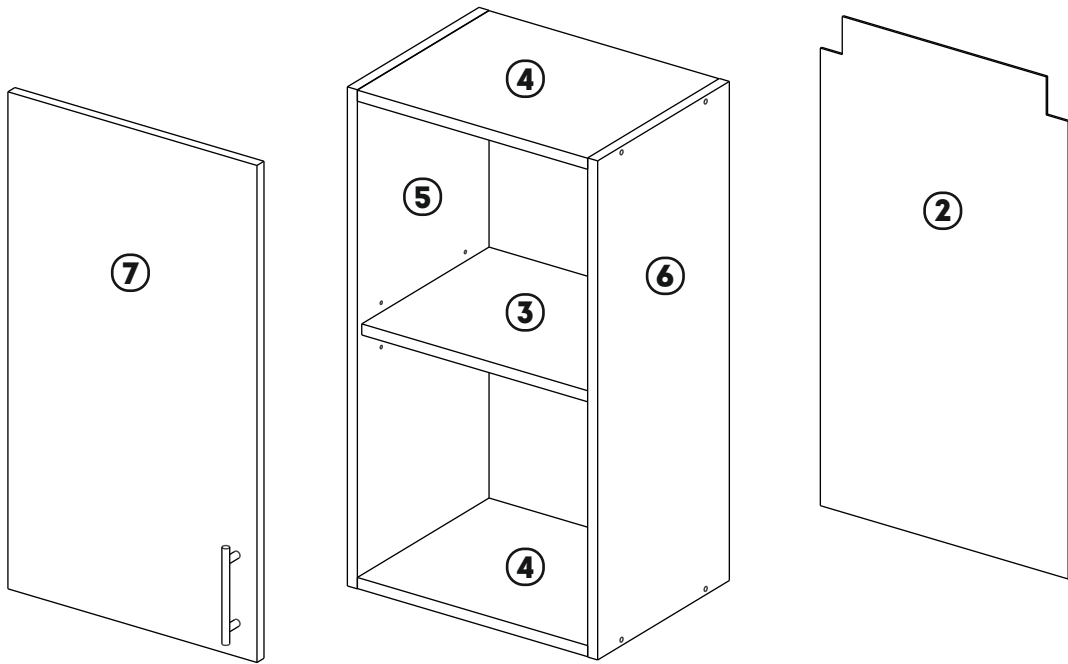
Railing Handle

**x2****RR 1**Screw  
3,5x16**x8****W1**

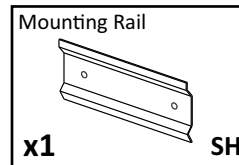
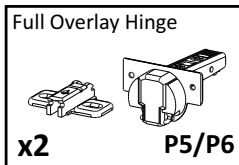
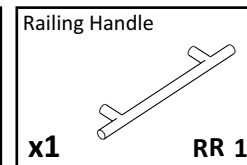
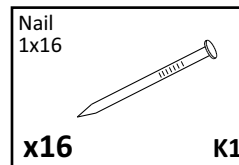
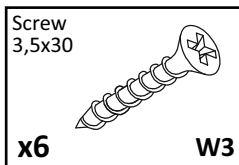
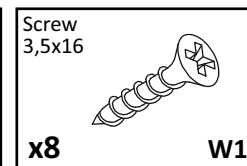
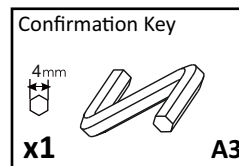
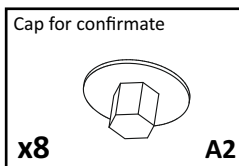
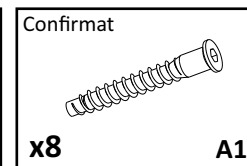
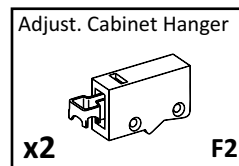
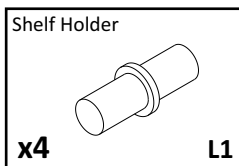
Full Overlay Hinge

**x4****P5****6**



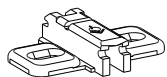


K7-7 (300)			
No	a*b	X	Pack
2	716x296	1	2/10
3	268x290	1	2/10
4	268x300	2	2/10
5	720x300	1	2/10
6	720x300	1	2/10
7	716x297	1	7/10



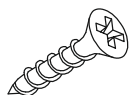
**1**

Mounting Plate



x2

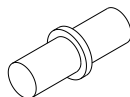
P6

Screw  
3,5x16

x4

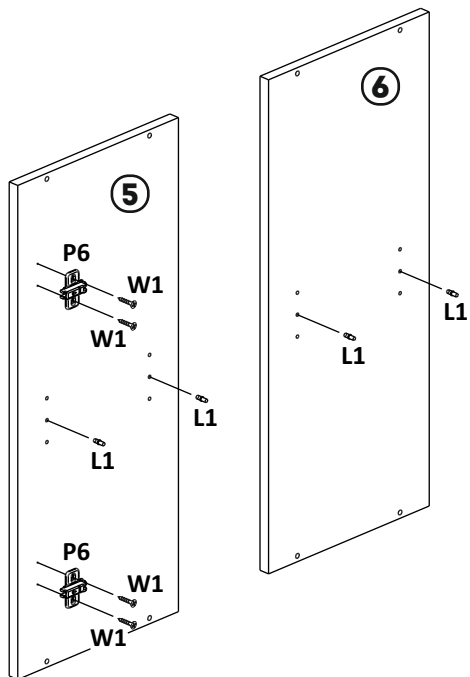
W1

Shelf Holder

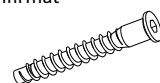


x4

L1

**2**

Confirmat



x8

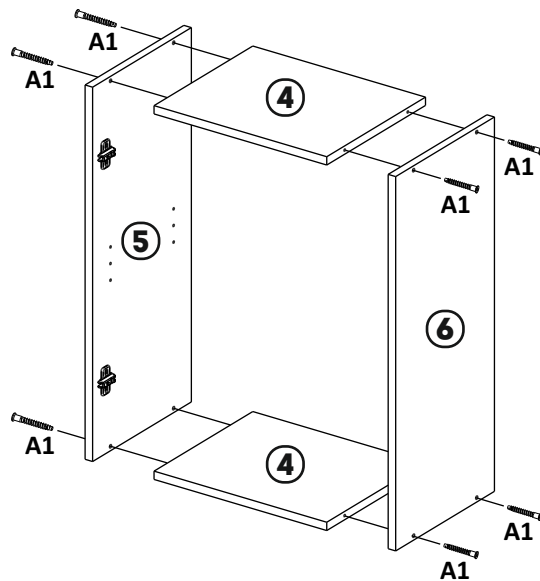
A1

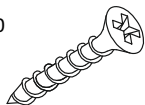
Cap for confirmate



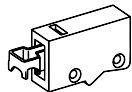
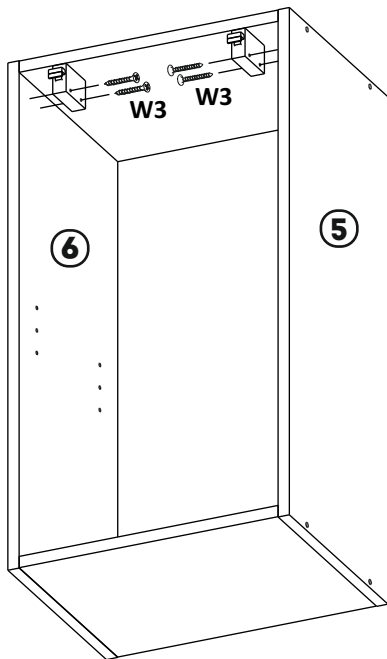
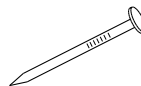
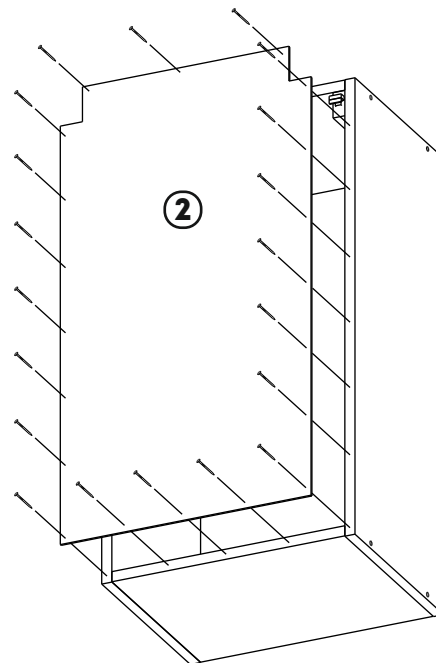
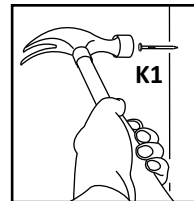
x8

A2



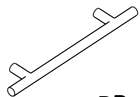
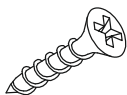
**3**Screw  
3,5x30**x4****W3**

Adjust. Cabinet Hanger

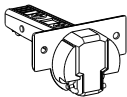
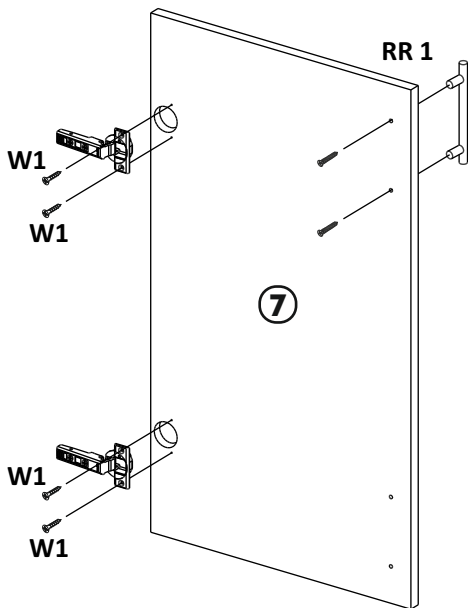
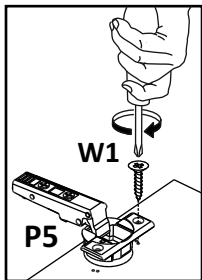
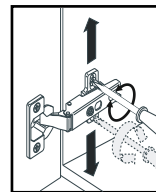
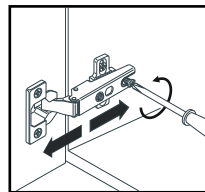
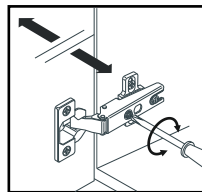
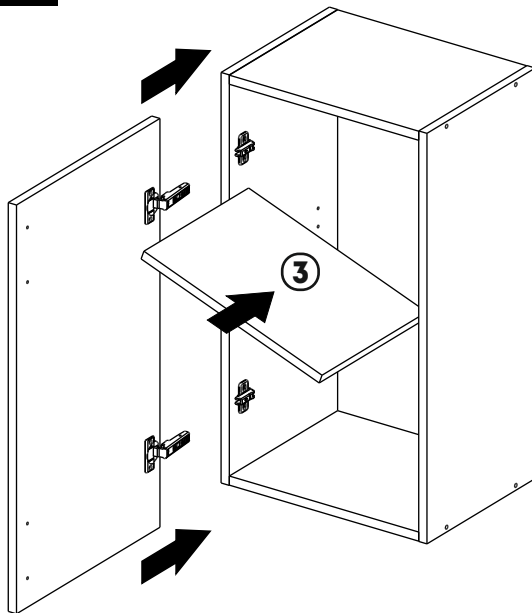
**x2****F2****4**Nail  
1x16**x16****K1**

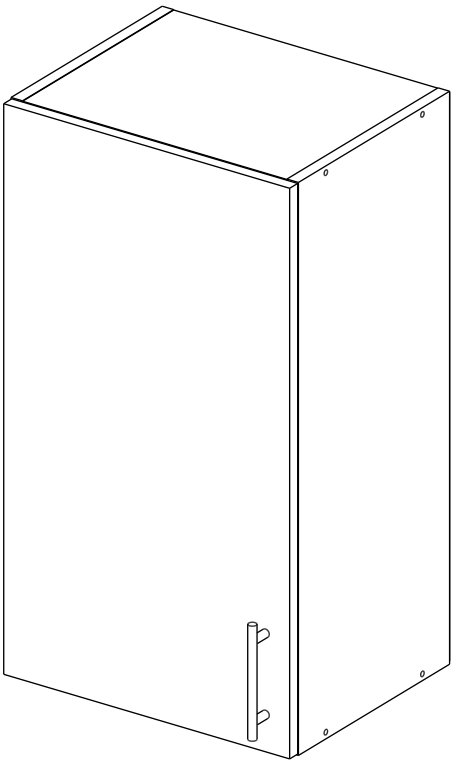
**5**

Railing Handle

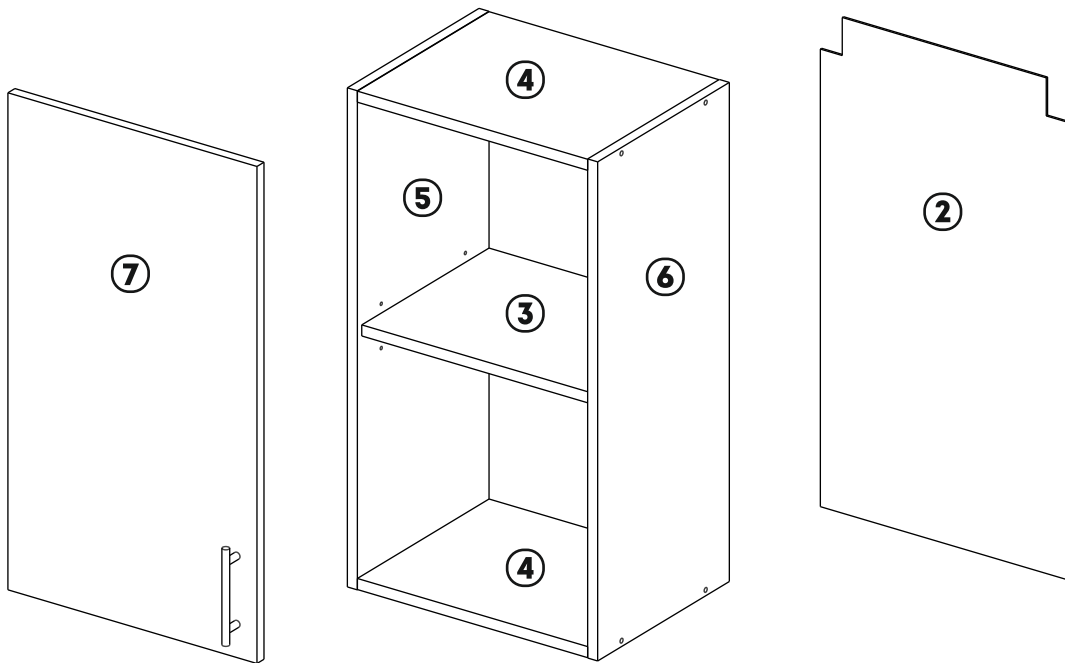
**x1****RR 1**Screw  
3,5x16**x4****W1**

Full Overlay Hinge

**x2****P5****6**

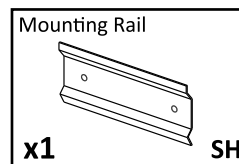
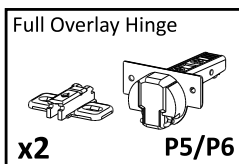
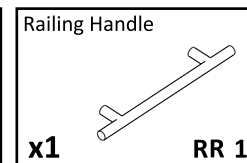
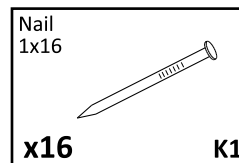
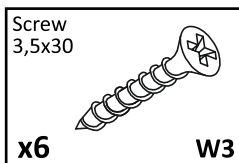
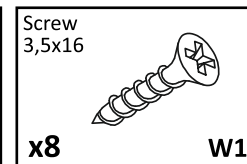
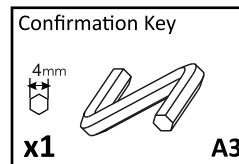
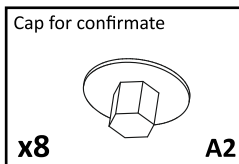
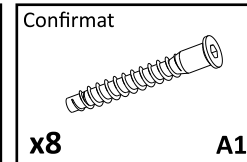
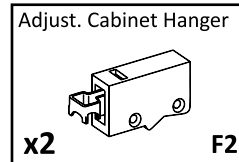
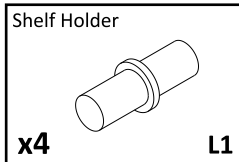






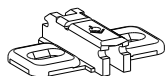
## K7-7 (300)

No	a*b	X	Pack
2	716x296	1	3/10
3	268x290	1	3/10
4	268x300	2	3/10
5	720x300	1	3/10
6	720x300	1	3/10
7	716x297	1	7/10



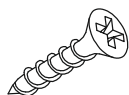
**1**

Mounting Plate



x2

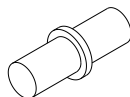
P6

Screw  
3,5x16

x4

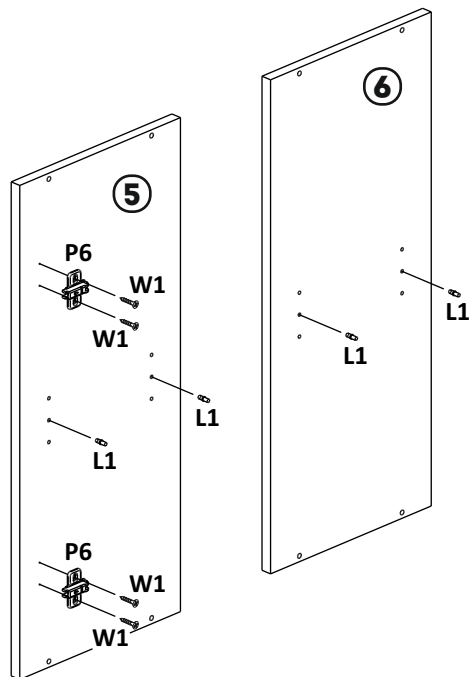
W1

Shelf Holder

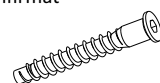


x4

L1

**2**

Confirmat



x8

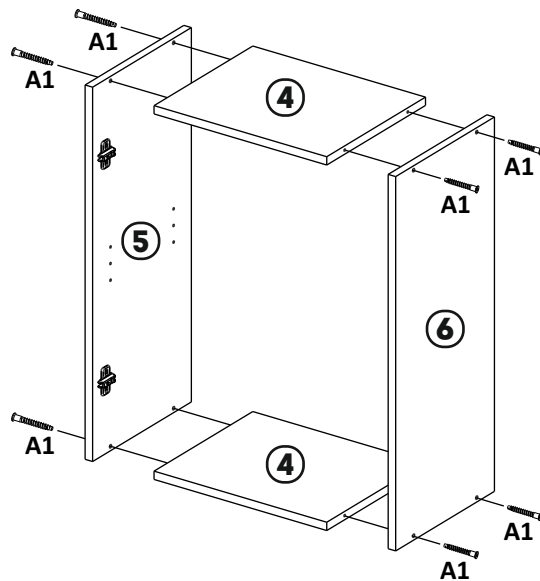
A1

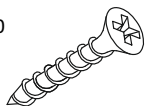
Cap for confirmate



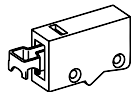
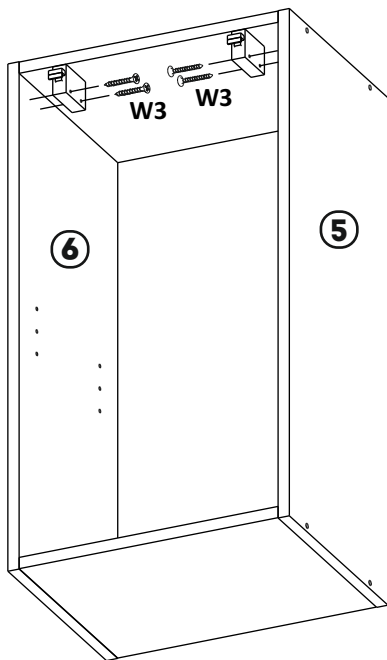
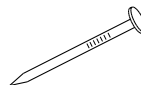
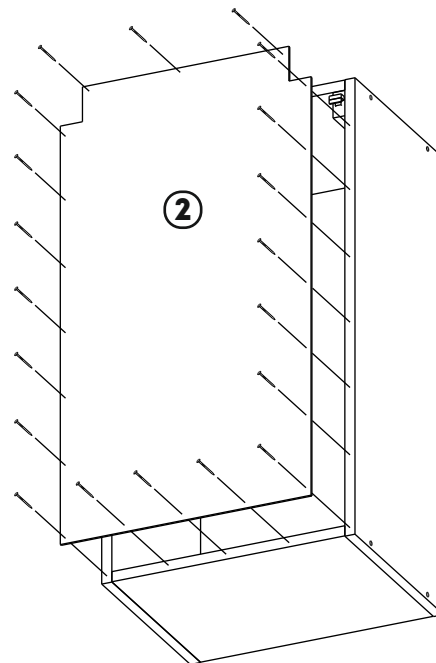
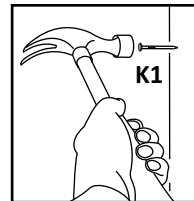
x8

A2



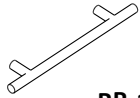
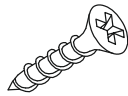
**3**Screw  
3,5x30**x4****W3**

Adjust. Cabinet Hanger

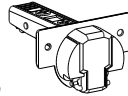
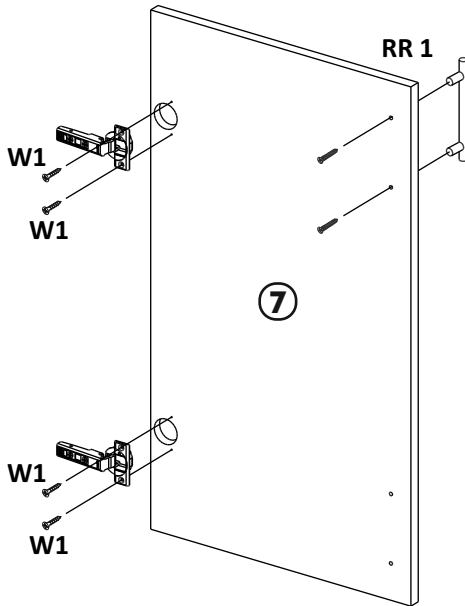
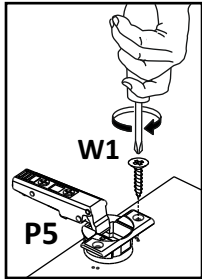
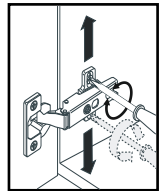
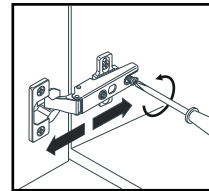
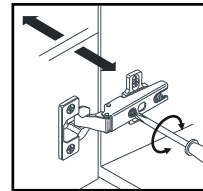
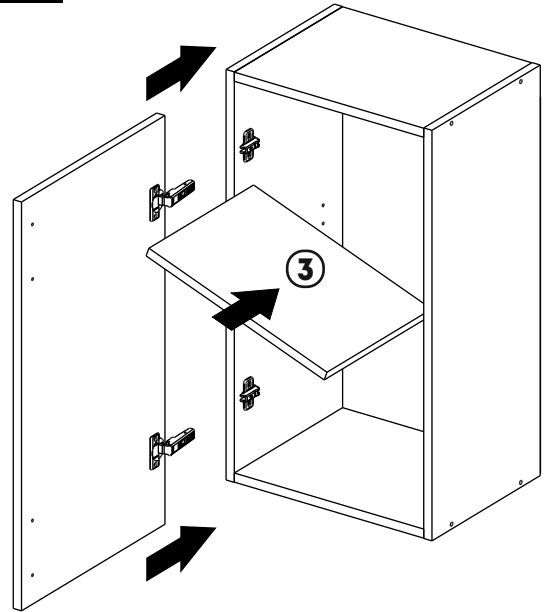
**x2****F2****4**Nail  
1x16**x16****K1**

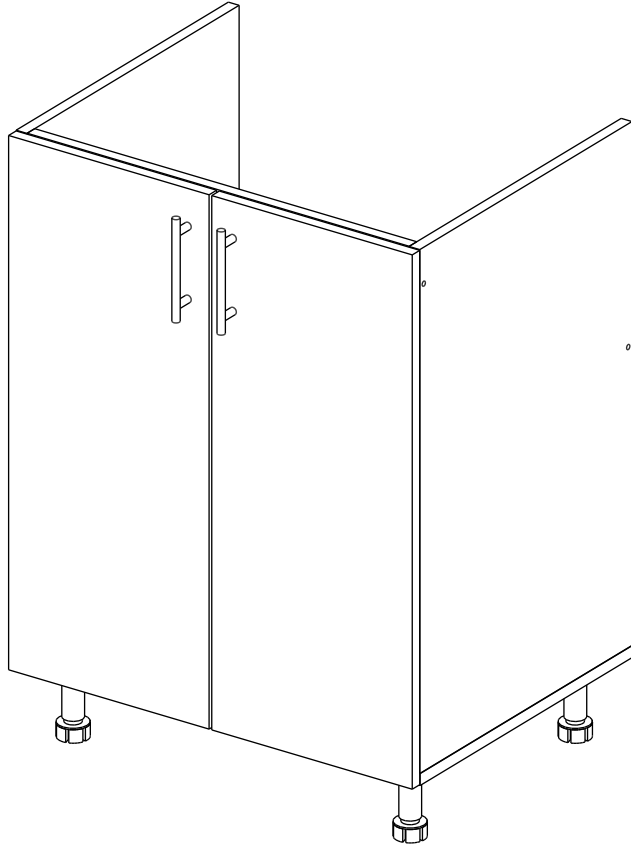
**5**

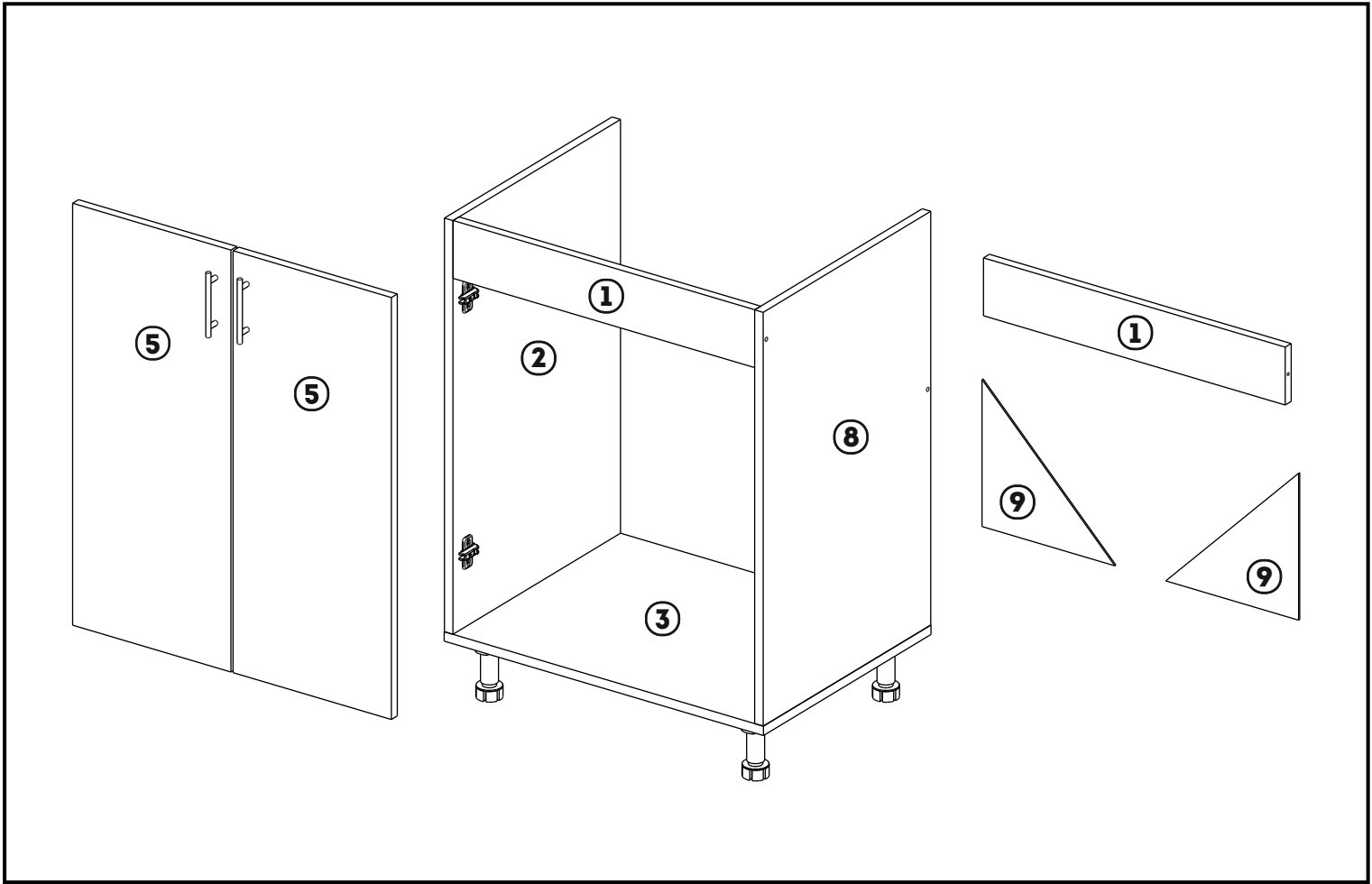
Railing Handle

**x1****RR 1**Screw  
3,5x16**x4****W1**

Full Overlay Hinge

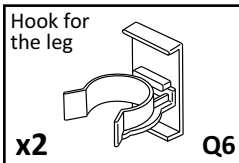
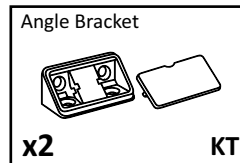
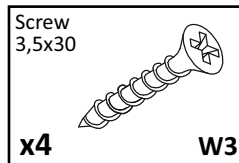
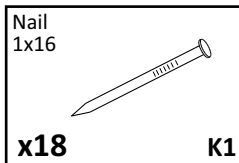
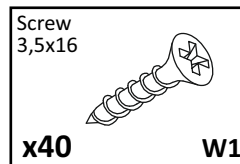
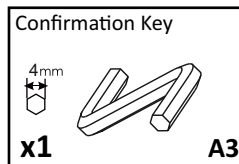
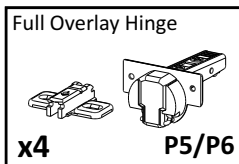
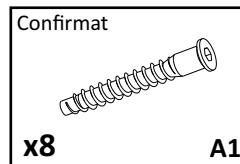
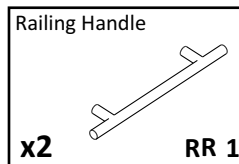
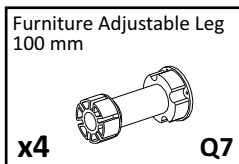
**x2****P5****6**



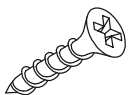
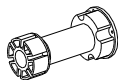
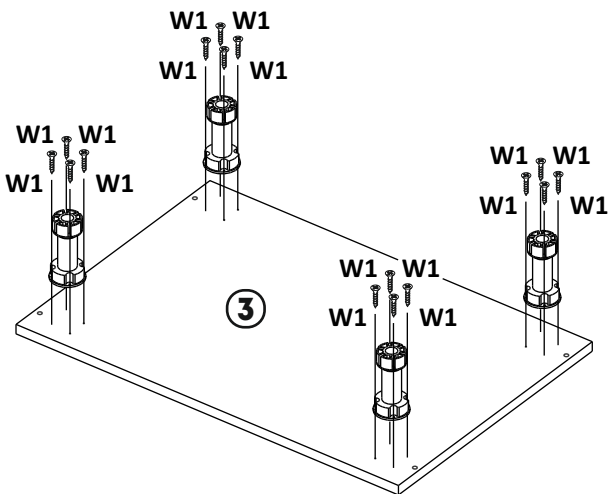


# KH-14 (600)

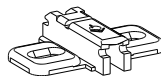
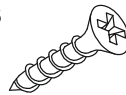
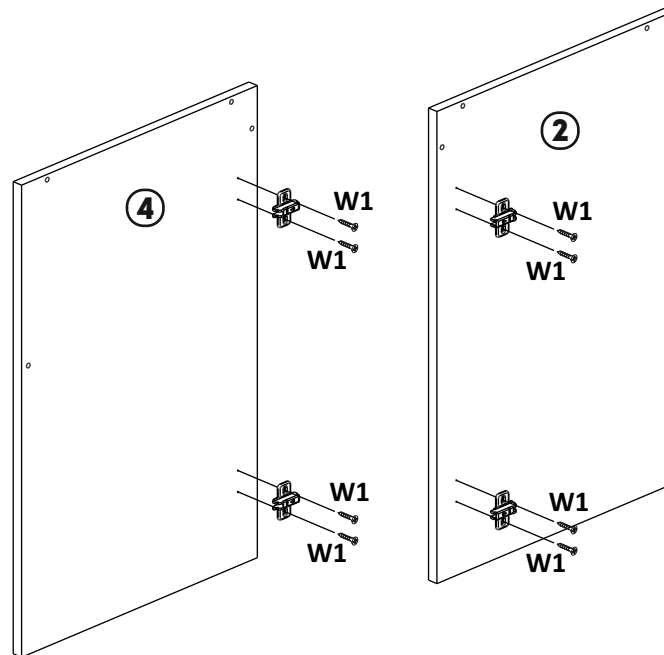
No	a*b	X	Pack
1	99x568	2	4/10
2	704x451	1	4/10
3	601x451	1	4/10
8	704x451	1	4/10
5	716x297	2	7/10
9	250x250	2	4/10





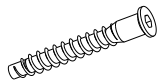
**1**Screw  
3,5x16**x16****W1**Furniture Adjustable Leg  
100 mm**x4****Q7****2**

Mounting Plate

**x4****P6**Screw  
3,5x16**x8****W1**

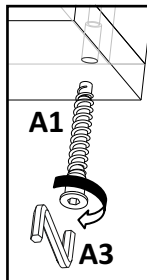
**3**

Confirmat



x4

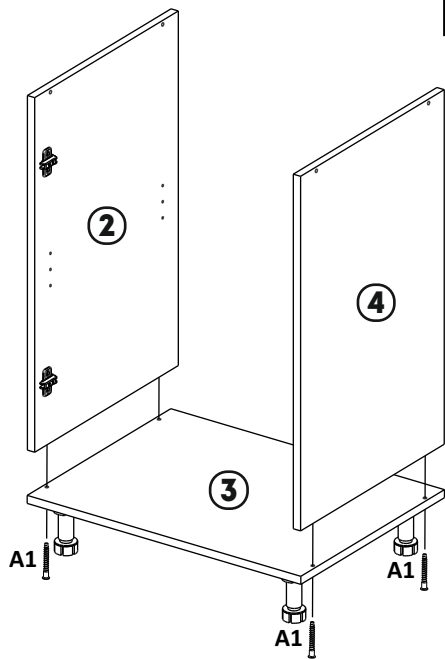
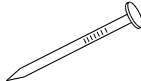
A1



A1



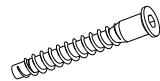
A3

**4**Nail  
1x16

x18

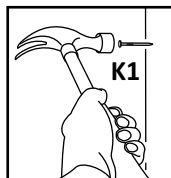
K1

Confirmat

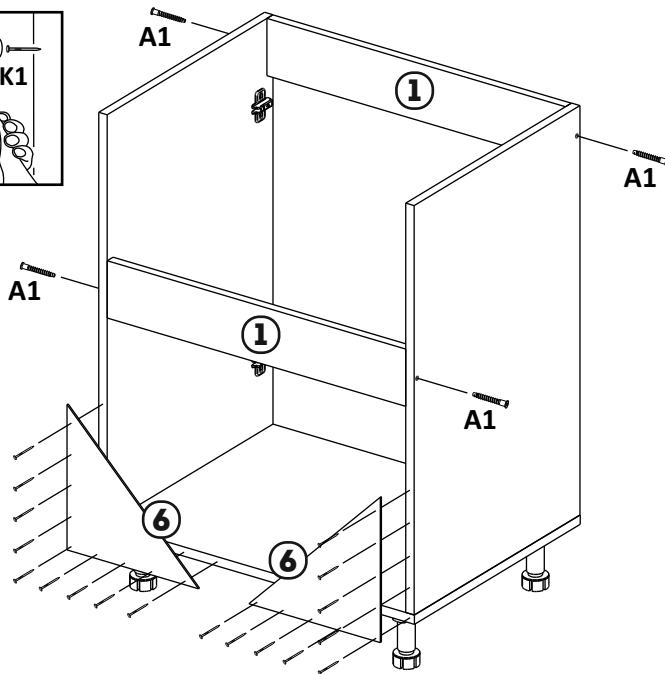


x4

A1

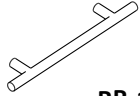
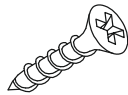


A1

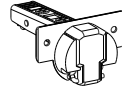
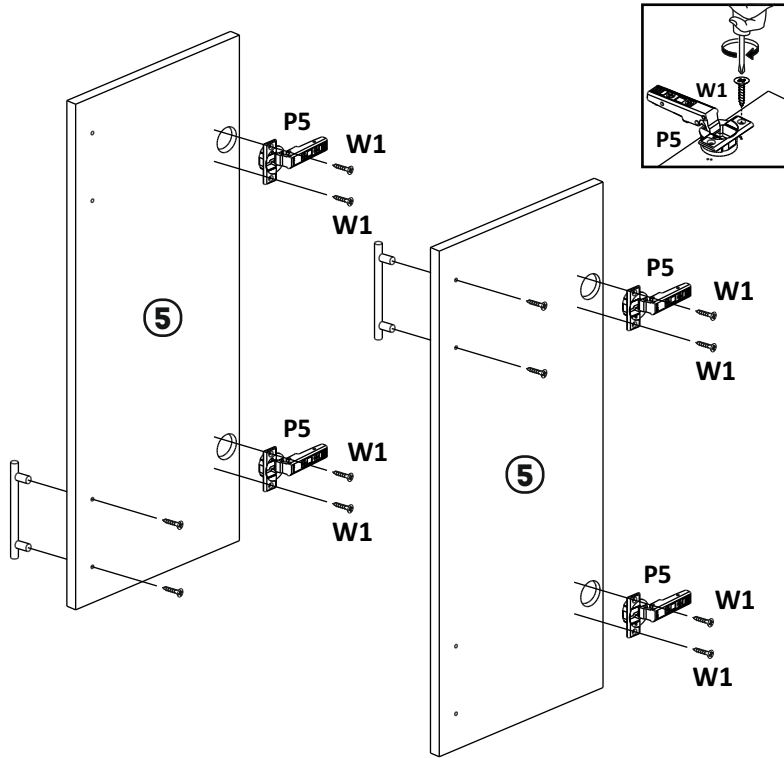
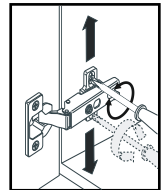
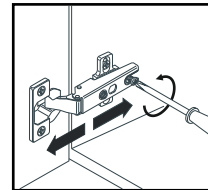
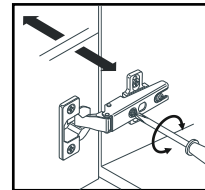
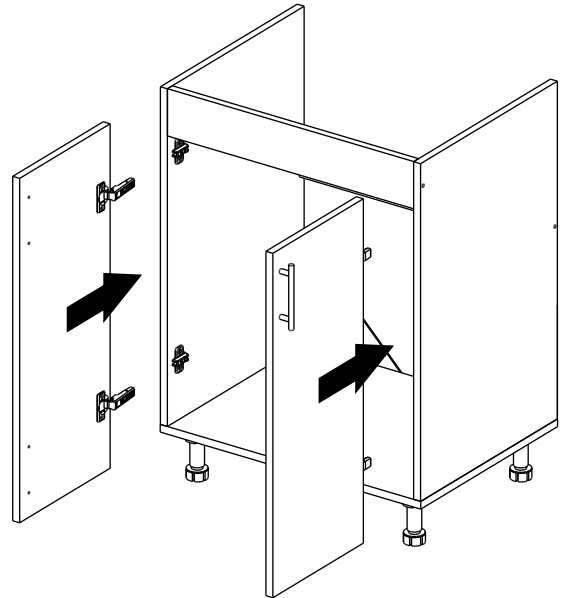


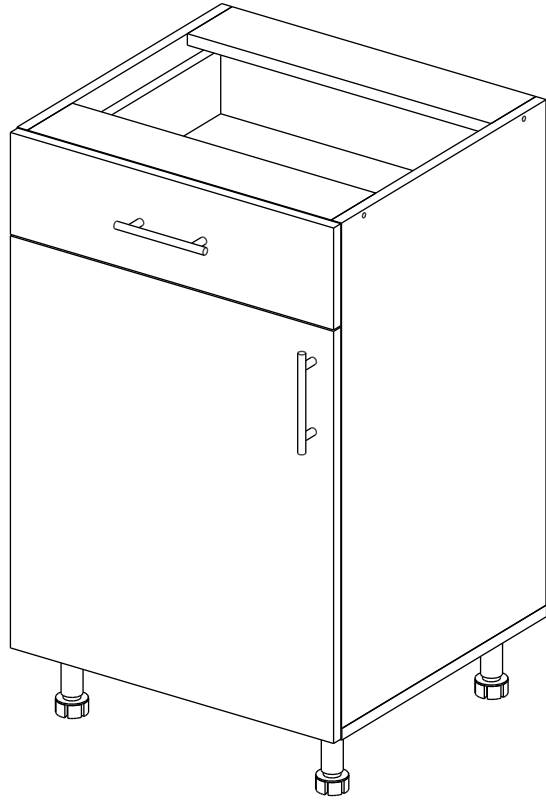
**5**

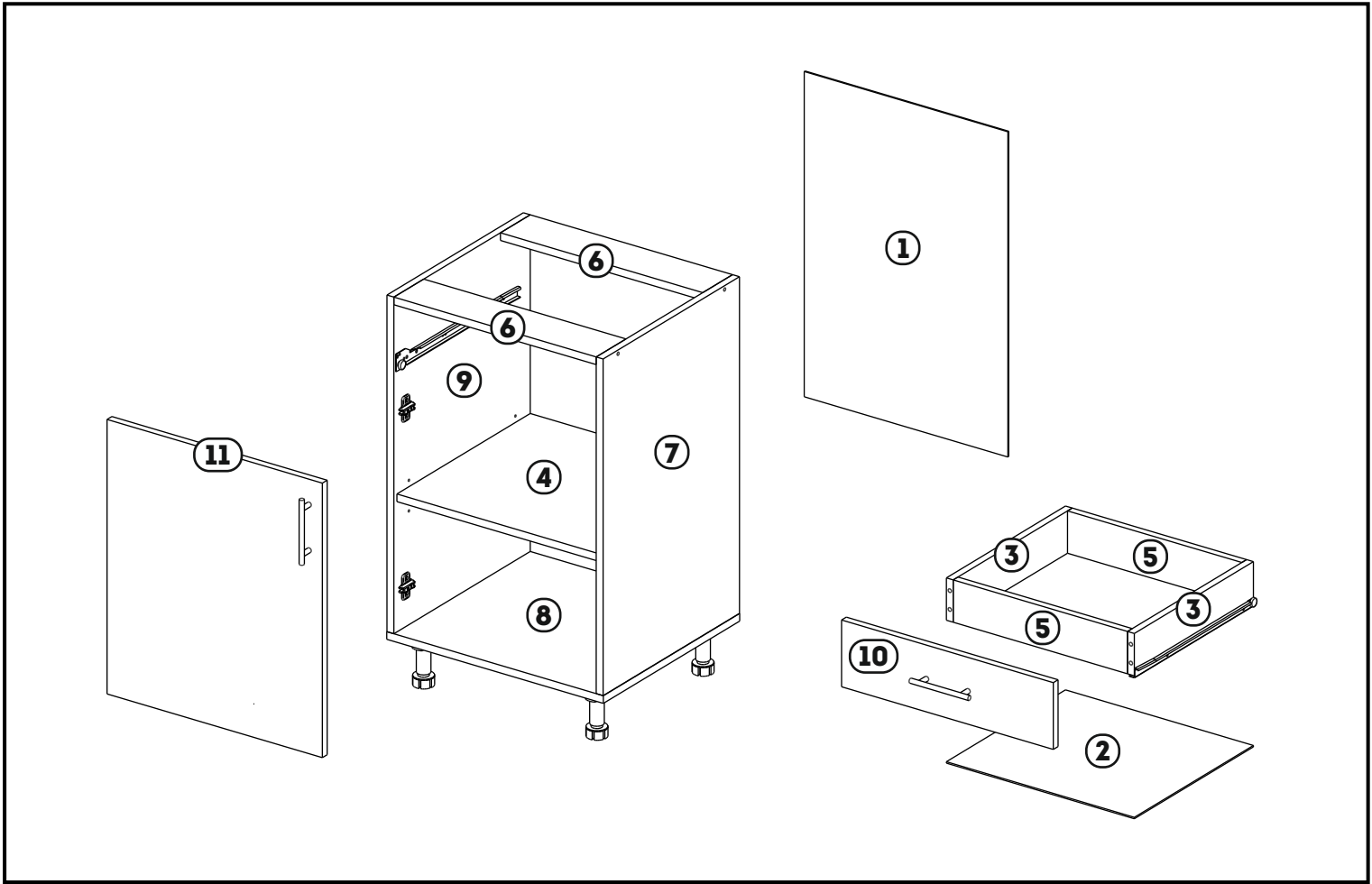
Railing Handle

**x2****RR 1**Screw  
3,5x16**x8****W1**

Full Overlay Hinge

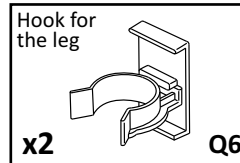
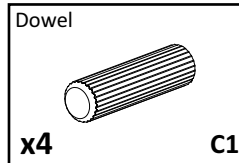
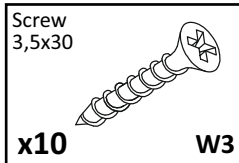
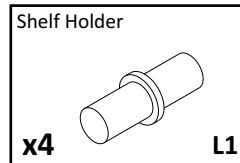
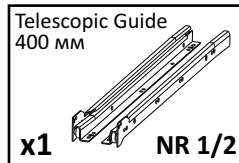
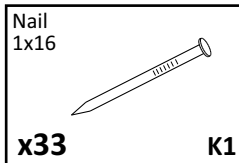
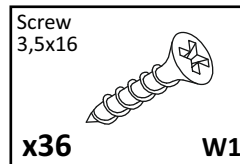
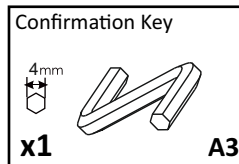
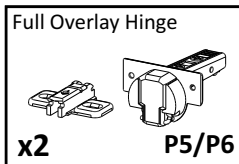
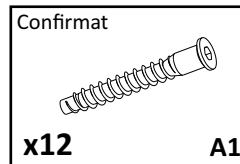
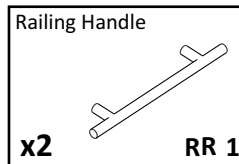
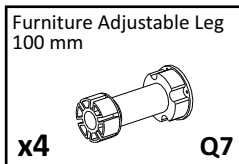
**x4****P5****6**





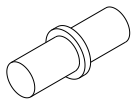
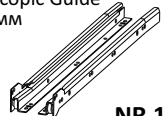
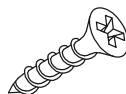
## KH-11 (300)

No	a*b	X	Pack
1	716x296	1	5/10
2	242x400	1	5/10
3	400x88	2	5/10
4	268x440	1	5/10
5	210x88	2	5/10
6	268x98	2	5/10
7	704x450	1	5/10
8	300x450	1	5/10
9	704x450	1	5/10
10	140x297	1	7/10
11	572x297	1	7/10

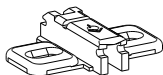
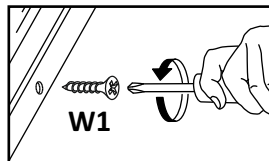
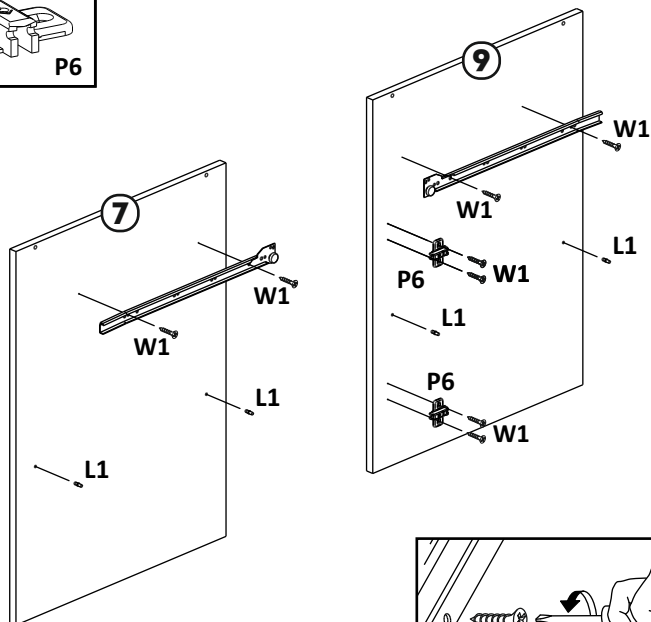
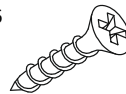
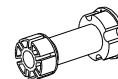
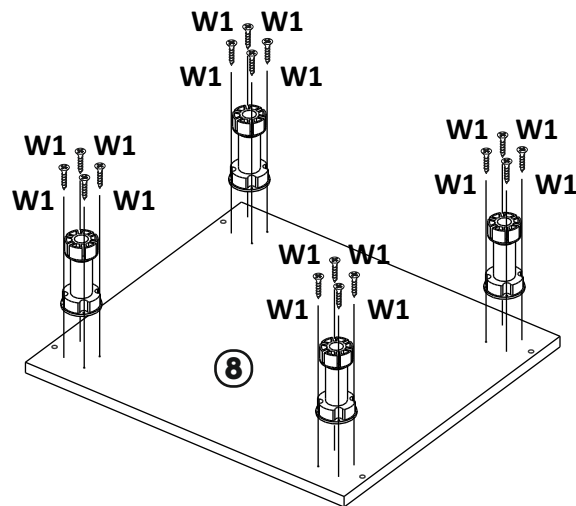


**1**

Shelf Holder

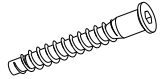
**x4****L1**Telescopic Guide  
400 mm**x1****NR 1**Screw  
3,5x16**x8****W1**

Mounting Plate

**x2****P6****2**Screw  
3,5x16**x16****W1**Furniture Adjustable Leg  
100 mm**x4****Q7**

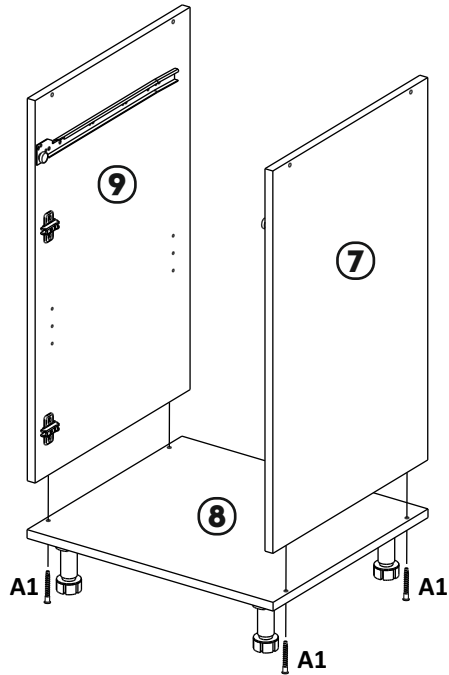
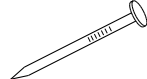
**3**

Confirmat



x4

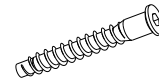
A1

**4**Nail  
1x16

x18

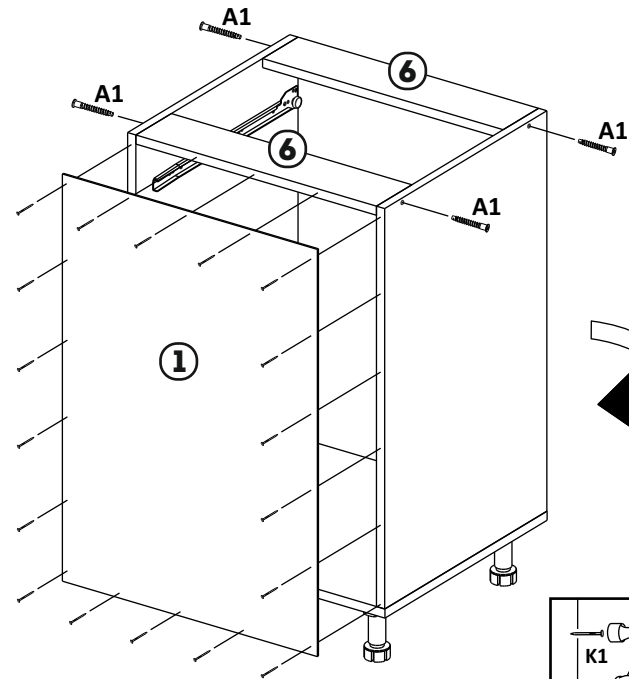
K1

Confirmat



x4

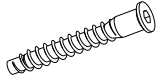
A1





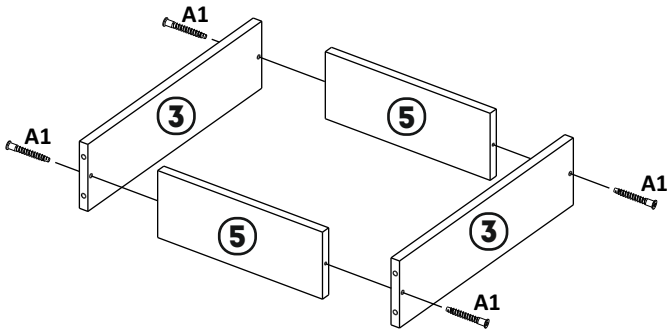
**5**

Confirmat



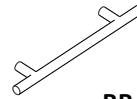
x4

A1



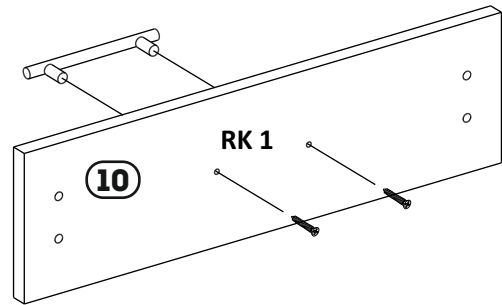
**6**

Railing Handle



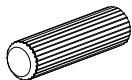
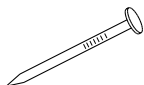
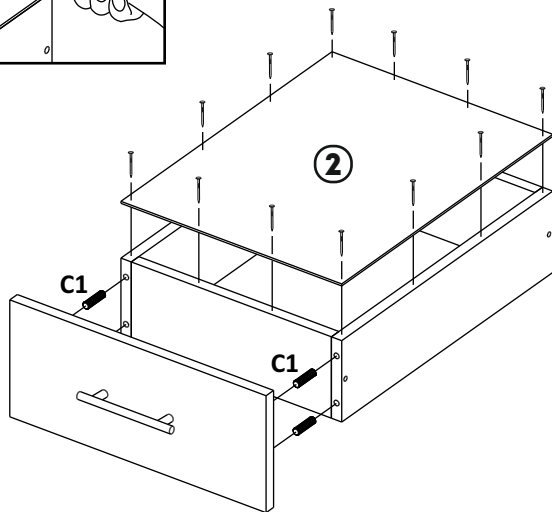
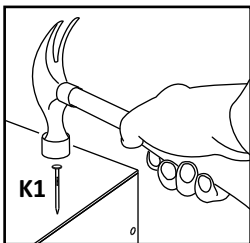
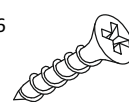
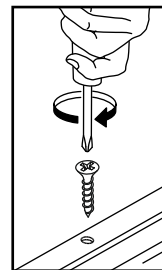
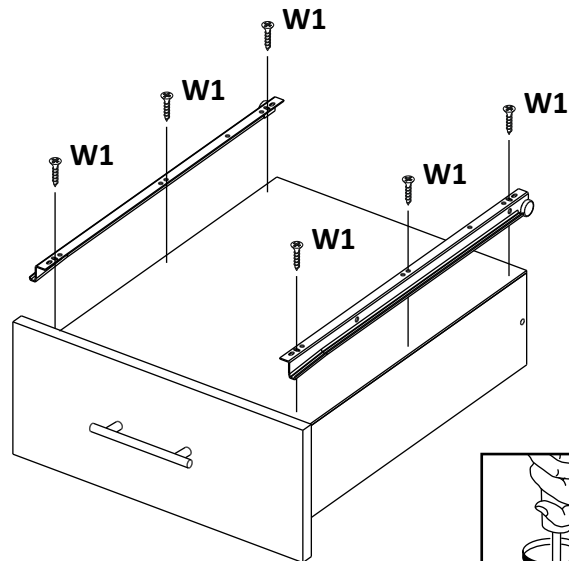
x1

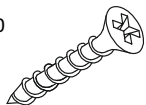
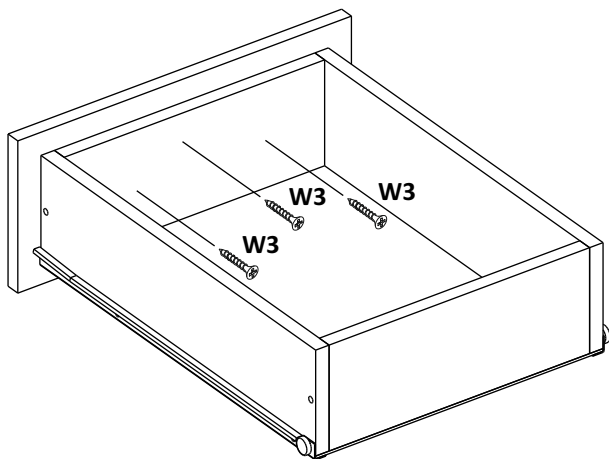
RR 1



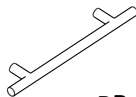
**7**

Dowel

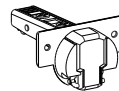
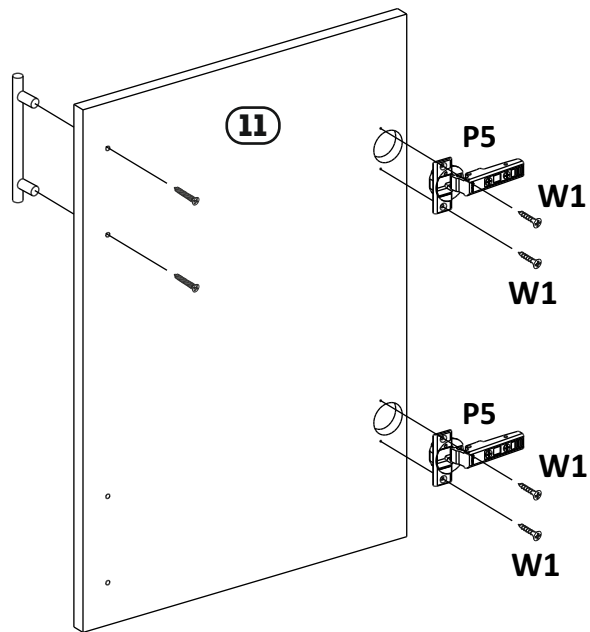
**x4****C1**Nail  
1x16**x12****K1****8**Telescopic Guide  
400 mm**x1****NR 2**Screw  
3,5x16**x6****W1**

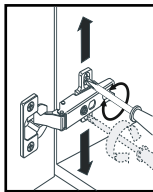
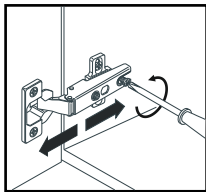
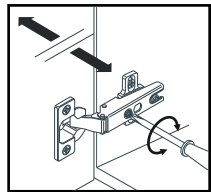
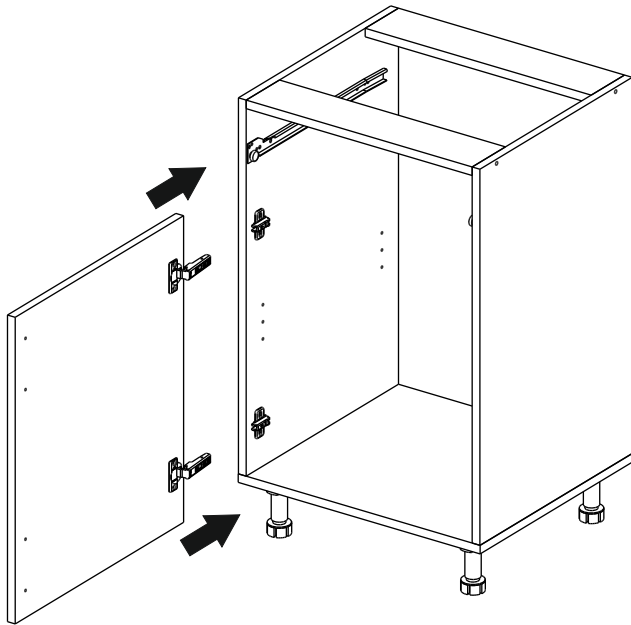
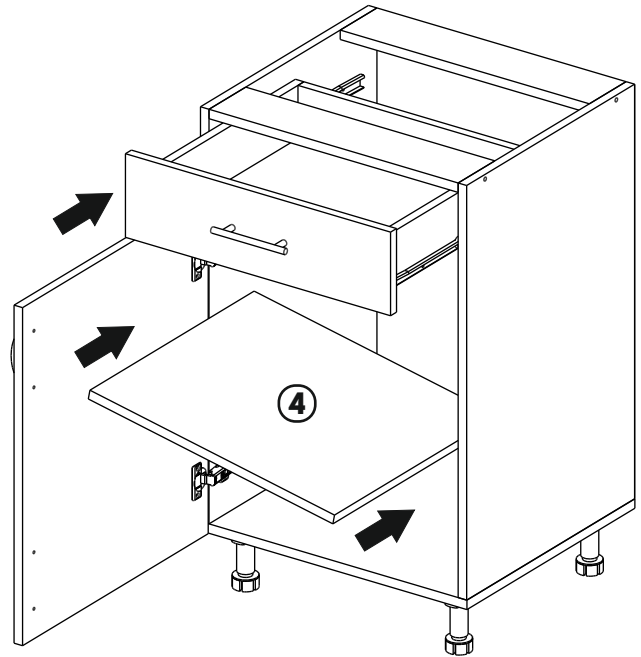
**9**Screw  
3,5x30**x4****W3****10**

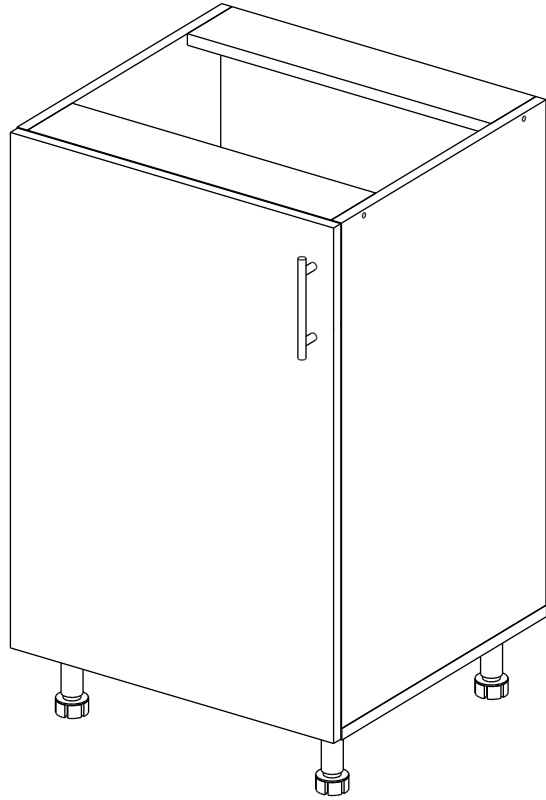
Railing Handle

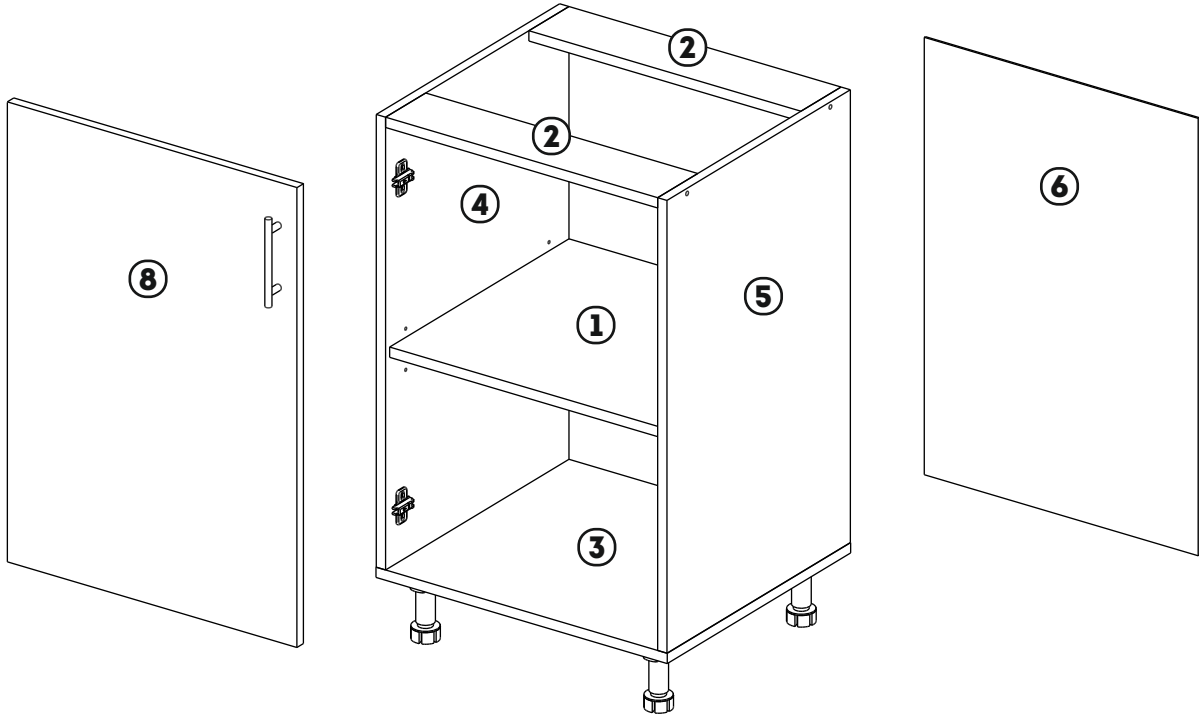
**x1****RR 1**

Full Overlay Hinge

**x2****P5**

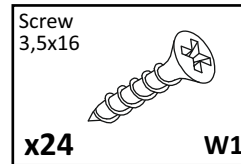
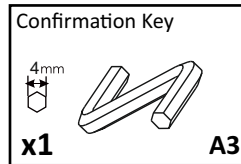
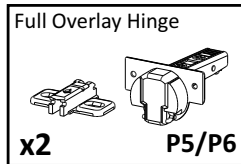
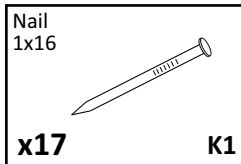
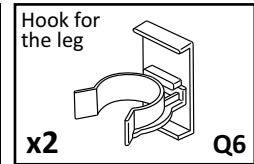
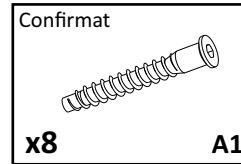
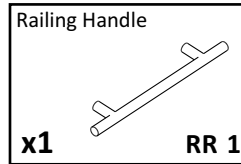
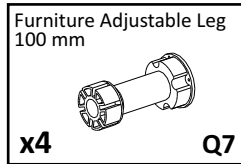
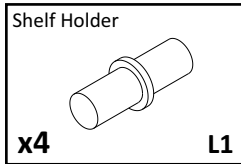
**11****12**





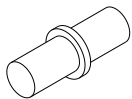
## KH-12 (300)

No	a*b	X	Pack
1	268x440	1	6/10
2	268x98	2	6/10
3	300x450	1	6/10
4	704x450	1	6/10
5	704x450	1	6/10
6	716x296	1	6/10
8	716x296	1	7/10

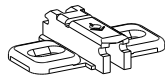
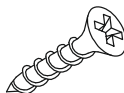
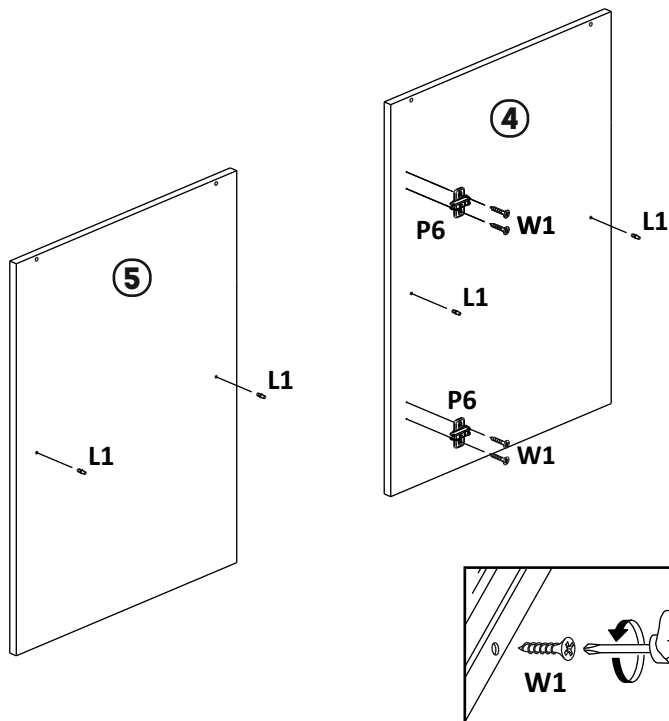
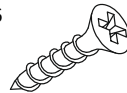
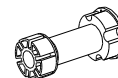
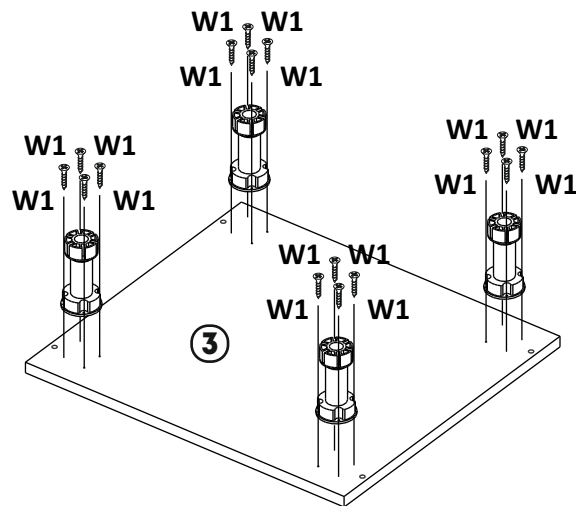


**1**

Shelf Holder

**x4****L1**

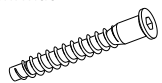
Mounting Plate

**x2****P6**Screw  
3,5x16**x8****W1****2**Screw  
3,5x16**x16****W1**Furniture Adjustable Leg  
100 mm**x4****Q7**



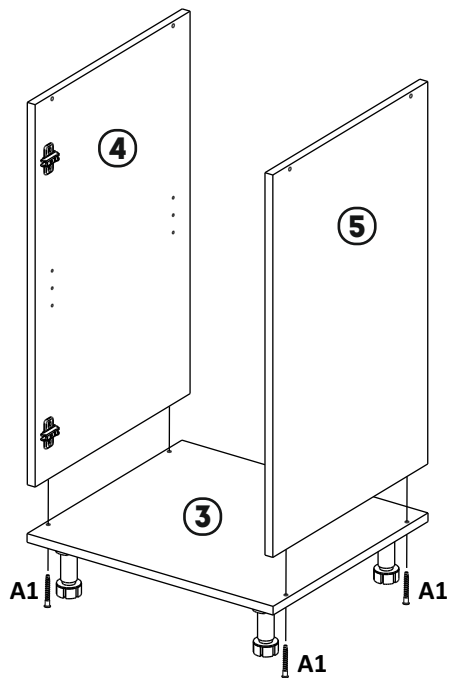
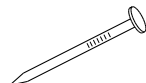
**3**

Confirmat



x4

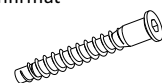
A1

**4**Nail  
1x16

x17

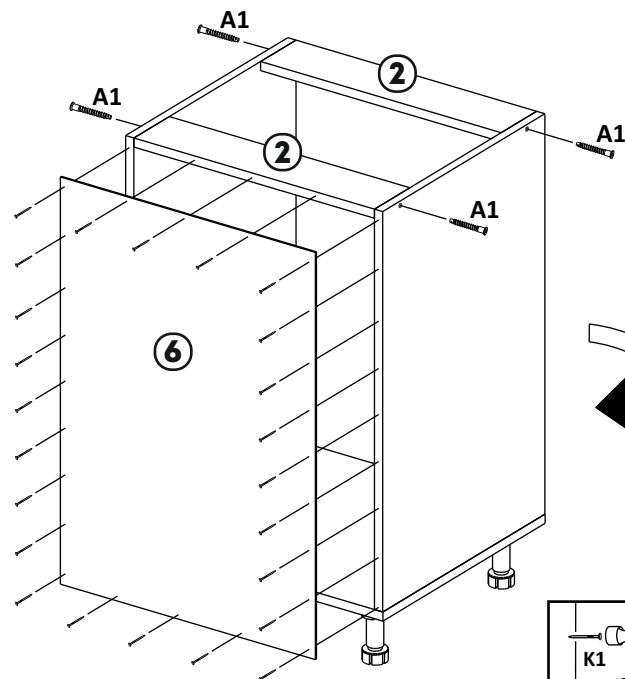
K1

Confirmat



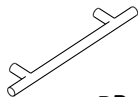
x4

A1

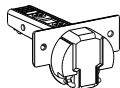
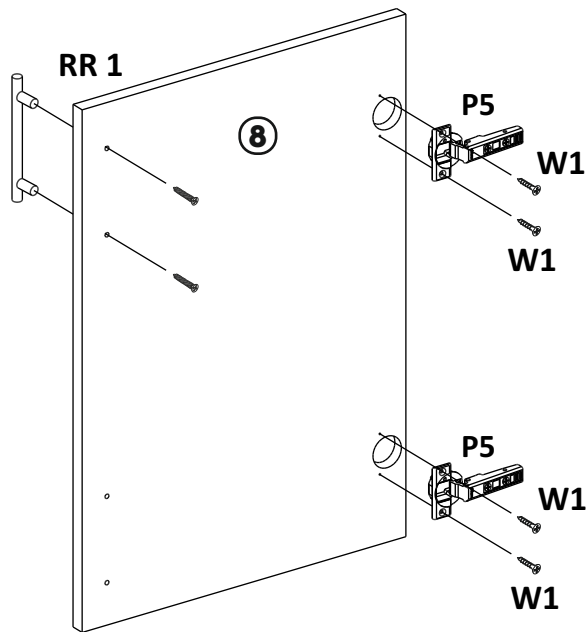


**5**

Railing Handle

**x1****RR 1**

Full Overlay Hinge

**x2****P5****6**